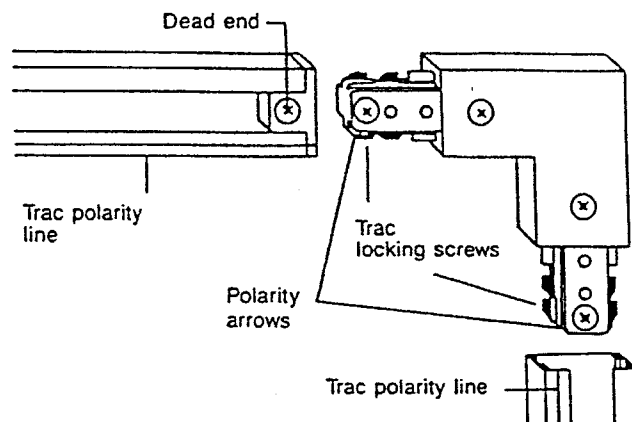


2614

● 90° Connector

For Left or Right Turns



Note: Proper wiring is essential for the safe operation of this trac system. Read the instructions carefully. If you are unclear as to how to proceed, consult a qualified electrician.

Warning: Be sure the electricity to the wires you are working on is shut off. Either remove fuse or turn off circuit breaker.

Installation:

1. Loosen set screw and remove dead end from trac.
2. Loosen trac locking screws; slide connector into tracs and tighten screws. Polarity arrows on connector must point to polarity line on trac.
3. Secure trac to ceiling using toggle bolts (supplied) or wood screws (not supplied).

Made in Taiwan