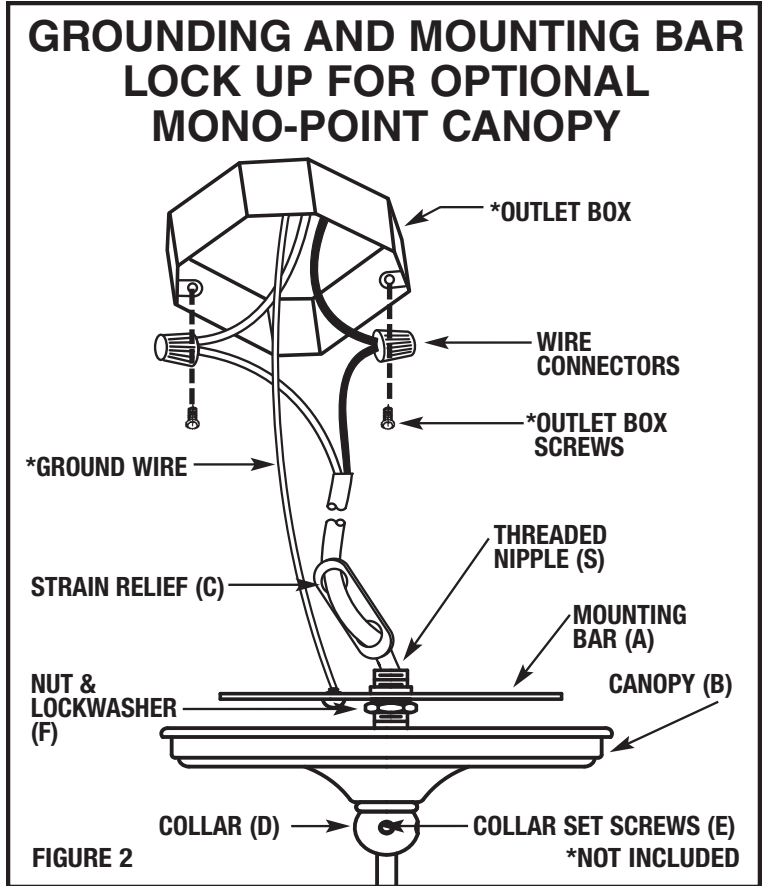
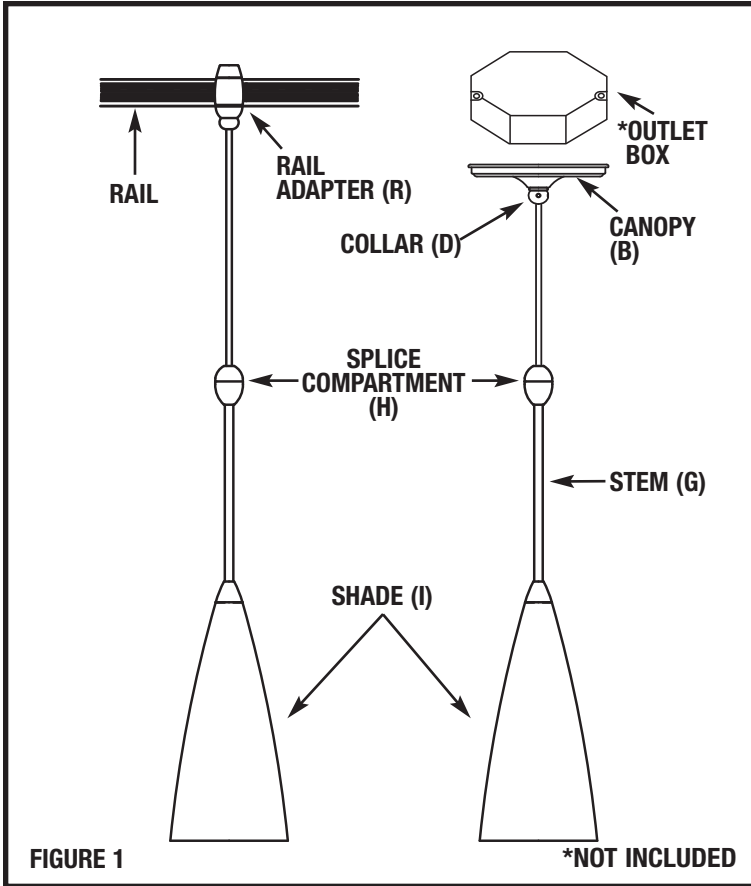


INSTALLATION AND SAFETY INSTRUCTIONS



IMPORTANT SAFETY INSTRUCTIONS

- Be sure the electricity to the system you are working on is turned off; either the fuse removed or the circuit breaker set at off.
- Use of other manufacturers components will void warranty, listing and create a potential safety hazard.
- If you are unclear as to how to proceed, contact a qualified electrician.
- For use with the 120V Transitions track series by Sea Gull Lighting.
- Minimum distance from the front of the lamp to combustible surfaces is 8".
- Make sure all connections are tight.
- Dimming halogen lamps greatly reduces lamp life.
- Turn off and allow to cool before replacing lamp.
- Lamp gets HOT quickly! Contact switch only when turning on.
- Do not touch hot lens, guard, or enclosure.
- Do not touch the lamp at any time. Use a soft cloth. Oil from skin may damage lamp.
- Do not operate the luminaire fitting with a missing or damaged shield.
- Save these instructions.



AMBIANCE®
LIGHTING SYSTEMS

LR-019

061207

www.SeaGullLighting.com

ASSEMBLING PENDANT/SHORTENING PENDANT (Fig. 1 & 3)

- Determine length of pendant and shorten cable from the top of the splice compartment (H). When installing as a mono-point be sure to add 5" length for electrical connections.
- Unthread splice compartment (H) and remove from pendant.
- Loosen set screws in socket locator (X) and set it along the stem (G) to determine where shade (I) will hang. Make sure glass support (Y) rests level on socket locator (X) and slide shade (I) so it rests on glass support (Y).
- Set top half of splice compartment (H) and strain relief collar at desired location. **NOTE** Strain relief collar is threaded and should be threaded up and down cable. Be sure 1/4" of cable jacket is protruding out of strain relief collar. Secure in place by tightening the two set screws.
- Make connections between socket leads and pendant cable using wire nuts inside the splice compartment (H) – Black to Black/White to White/Ground to Ground. Make sure no wires are left exposed and carefully tuck wire nuts into bottom half of splice compartment (H).
- Close splice compartment (H) by threading the two halves together.
- When using optional reflector (L) only:** Remove glass enclosure screws (T) from lamp enclosure (J). Take enclosure base (U) and place in center of reflector (L). When using an MRC16 lamp, snap reflector arm into reflector (L). Thread glass enclosure screws (T) through reflector (L), enclosure base (U), and lamp enclosure (J). Lamp enclosure (F) should be secured to reflector (L) and be able to swivel freely.
- Install lamp (K). Thread lamp enclosure (J) (and reflector (L), if applicable) over lamp (K).

- Slide collar (D), canopy (B), nut and lockwasher (F), nipple (S) over wire to top of splice compartment (H).
- Pass wire through mounting bar (A) and install strain relief (C).
- Attach mounting bar (A) to outlet box using outlet box screws (not supplied).
- Install threaded nipple (S) to mounting bar (A) so at least three threads are shown above mounting bar (A). Lock in place with lock washer and hex nut (F).
- Make electrical connections using wire nuts or other UL listed device:
 - House Black to Fixture Black
 - House White to Fixture White
 Take house ground wire and fixture ground wire and wrap around the green grounding screw located on the mounting bar (J). Secure by tightening the green grounding screw. Make sure no wires are left exposed and tuck wires into outlet box.
- Raise canopy (B) and collar (D) to cover outlet box and tighten collar set screws (E).

ATTACH PENDANT TO RAIL (Fig. 4)

- Remove cap from rail adapter (R) by loosening cap set screw (P) with supplied allen wrench.
- Making sure contacts (N) will align with conductors (O) on rail, set the bottom of the rail adapter (R) to the bottom of the rail and "roll" rail adapter (R) up onto the rail.
- Install fixture to rail by closing rail adapter (R) over rail. Replace cap over top of rail adapter (R) and tighten cap set screw (P). When positioning of fixture is final, tighten ground set screw (Q) so it sits in groove of rail.

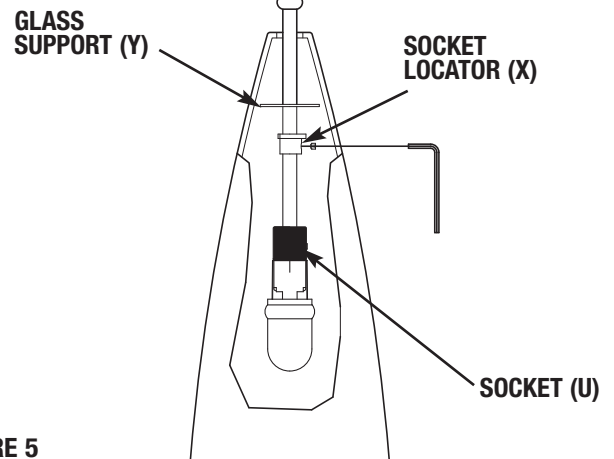


FIGURE 5

FIXTURE INSTALLATION

CORRECT

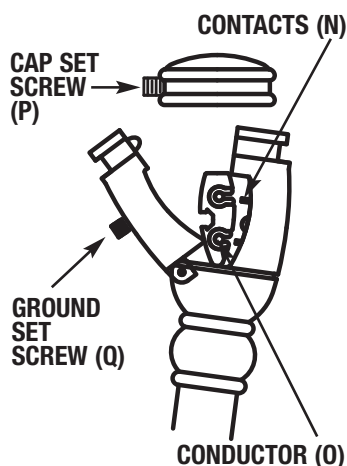
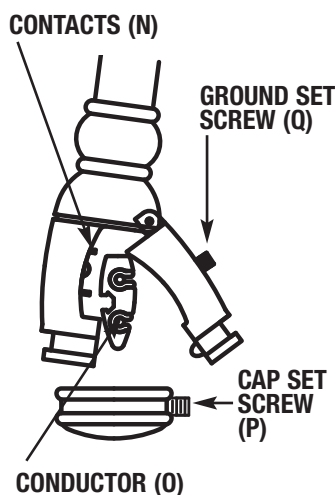


FIGURE 4

INCORRECT



OPTIONAL REFLECTOR USED TO ADJUST DIRECTIONAL BEAM SPREAD

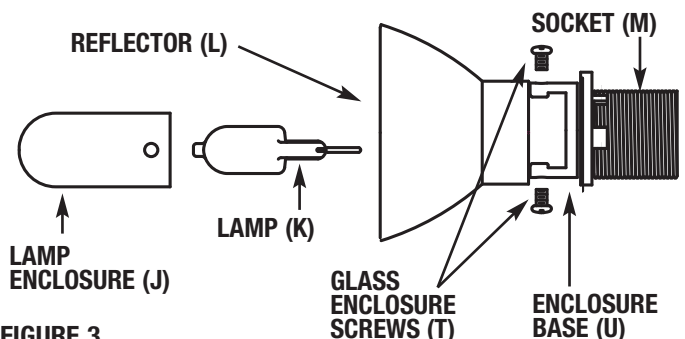


FIGURE 3