

IMPORTANT SAFETY INSTRUCTIONS

- Be sure the electricity to the system you are working on is turned off; either the fuse removed or the circuit breaker set at off.
- Lighted lamp is HOT!
- To reduce the risk of FIRE or INJURY TO PERSONS: Turn off/unplug and allow to cool before replacing lamp.
- Lamp gets HOT quickly! Contact only switch/plug when turning on.
- Do not touch hot lens, guard, or enclosure.
- Keep lamp away from materials that may burn.
- Do not touch the lamp at any time. Use a soft cloth. Oil from skin may damage lamp.
- Do not operate the luminaire fitting with a missing or damaged shield.
- Do not install within 10' (1.52m) of a pool, spa, or fountain.
- **WARNING: RISK OF ELECTRIC SHOCK** – Install all luminaires 10' (3.05M) or more from a pool, spa, or fountain.
- The main low voltage cable is intended for shallow burial—less than 6" (152mm).
- When additional lengths of main low voltage cable are necessary, order Ambiance® landscape outdoor cable. Please visit SeaGullLighting.com to find a local distributor.
- Save these instructions.

INSTALLATION

1. Dig hole the diameter of Well Light and about six inches deeper – fill bottom of hole with gravel for drainage.
2. Leave 1-2 ft. of fixture wire coiled at bottom of fixture for lamp servicing.
3. Insert well light housing assembly into hole allowing cable to run along surface of ground, tamp ground to secure in place.

INSTALLATION

4. Make connection between fixture wires and low voltage supply wires using wet location silicone filled wire nuts or other listed landscape wire connector. Top edge must be above final grade by a minimum of 1" to prevent water or debris from entering the housing. Well Lights are NOT underwater lights. Do NOT install in low grade areas where water will gather.
5. Adjust socket bracket to desired angle. (see Fig. 4).
6. Install lamp.
7. Place gasket into well light housing lip.
8. Place optional honey comb louver.
9. Before tightening screws on top ring or guard, you must make sure gasket seats between housing and top ring or guard. Be sure there are no gaps or holes; this will insure a weather proof seal.
10. Place glass lens.
11. Place top ring or guard over lip. Secure with screws.

To keep the water-tight seal when the additional plug on the bottom is used, either:

- A. Re-apply teflon tape to plug or connector threads and re-install into the well light housing.
- or
- B. Apply silicone water-proofing sealant (not supplied).

To waterproof the fixture when the additional plug on the bottom is not used, either:

- A. Remove unused plug and apply teflon tape (not supplied) to the plug's threads and re-install plug into the well light housing.
- or
- B. Apply silicone water-proofing sealant (not supplied).

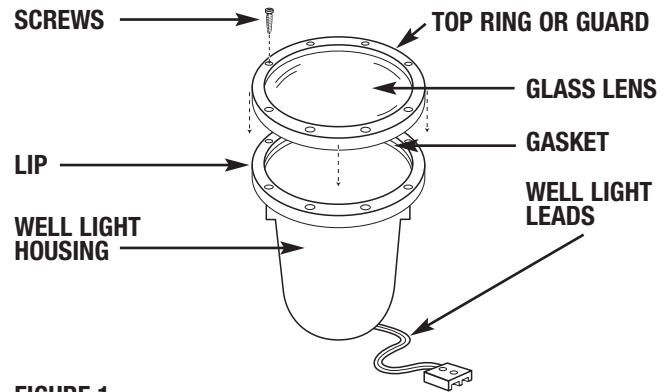


FIGURE 1

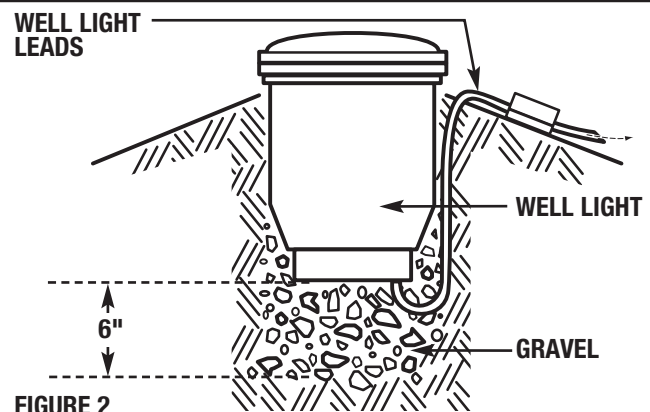


FIGURE 2

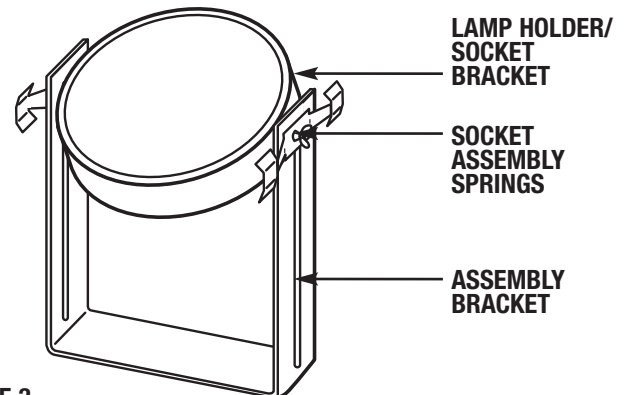


FIGURE 3

SIDE VIEW OF ASSEMBLY BRACKET.

BASED ON THE LAMP CHOSEN, ADJUST THE SOCKET BRACKET:

1. UP TO THE MAX HEIGHT POSITION FOR THE SOCKET BRACKET.
2. UP TO THE MAX ANGLE POSITION FOR THE SOCKET BRACKET.

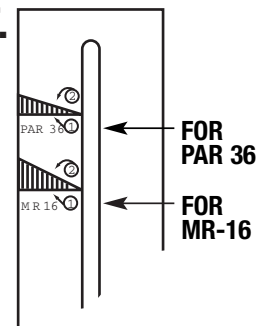


FIGURE 4