

## IMPORTANT SAFETY INSTRUCTIONS

- Be sure the electricity to the system you are working on is turned off; either the fuse removed or the circuit breaker set at off.
- Use of other manufacturers components will void warranty, listing and create a potential safety hazard.
- If you are unclear as to how to proceed, contact a qualified electrician.
- You don't need special tools to install this fixture.
- Be sure to follow the steps in the order given.
- Read instructions carefully.
- To reduce the risk of fire, electric shock, or personal injury, mount to outlet box or supporting system able to support the weight of the fixture.
- Save these instructions.

## CLEANING

To clean, wipe fixture with a soft cloth. Clean glass with a mild soap. Do not use abrasive materials such as scouring pads or powders, steel wool or abrasive paper.

## ORDERING PARTS

Keep this sheet for future reference, and in case you need to order replacement parts. Parts for this fixture can be ordered from place of purchase. Be sure to use exact wording from illustration when ordering parts.

## BEFORE YOU BEGIN

Carefully remove the fixture from the carton and check that all parts are included, as shown in Figure 1 & 2. Be careful not to misplace any of the screws or parts which are needed to install this fixture.

## GROUNDING AND MOUNTING BAR LOCK UP

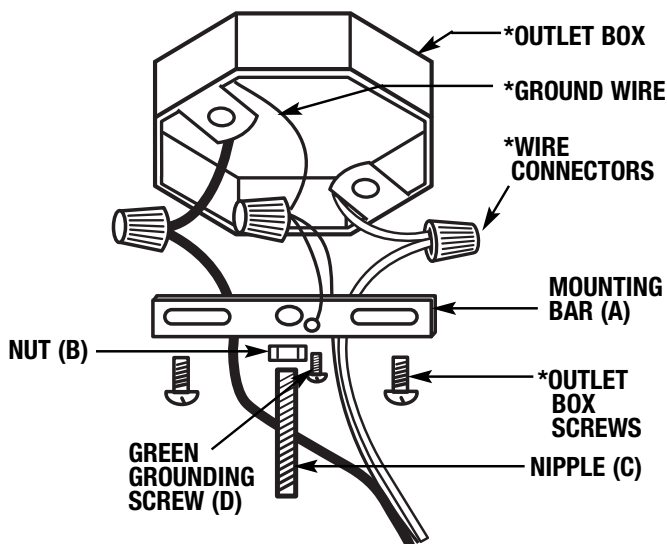


FIGURE 2

\*NOT INCLUDED

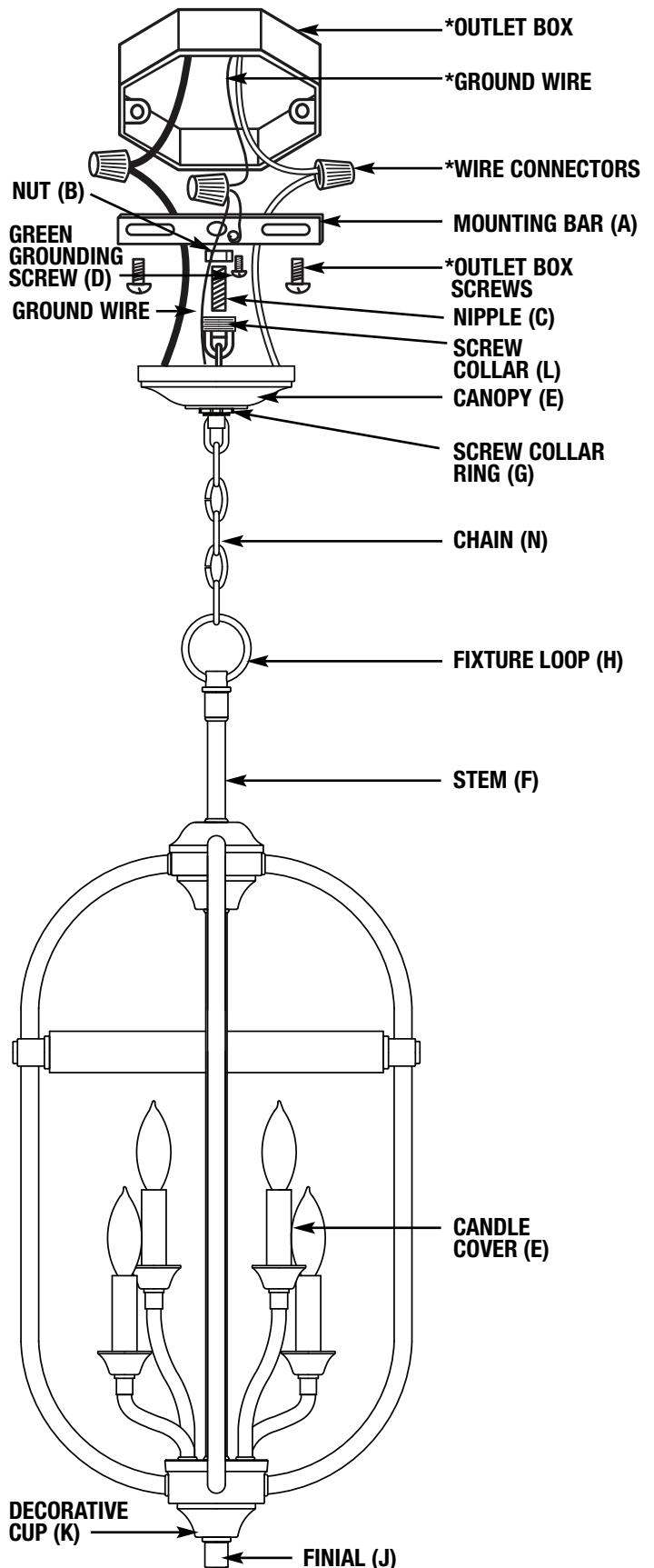


FIGURE 1

\*NOT INCLUDED

**INSTALLATION**

HC-1582

**IMPORTANT: DO NOT ATTACH FIXTURE DIRECTLY TO OUTLET BOX.**

**STEP 1:**

Thread stem (F) to top of fixture. Thread fixture loop (H) to top of stem (F).

**STEP 2:**

Secure mounting bar (A) to outlet box with outlet box screws (not supplied). Thread nut (B) onto nipple (C) so that three threads are exposed above nut (B). Thread screw collar (L) to nipple (C).

**STEP 3:**

Using 2 pairs of pliers, open one link of chain (N) and connect it to the fixture loop (H) at the top of the fixture.

**STEP 4:**

Slide the screw collar ring (G) and canopy (E) over chain (N). Open one link on the other end of the chain (N) and attach it to the screw collar (L) which has been mounted to the nipple (C).

**BE SURE TO CLOSE ALL CHAIN LINKS COMPLETELY.**

**STEP 5:**

- A.** Use a listed wire connector to connect the fixture hot wire (black wire, or round and smooth tracer) to the supply hot wire.
- B.** Use a listed wire connector to connect the fixture common wire (white wire, or square and rigid) to the supply common wire.
- C.** Gently try to remove the wires from the connector. If you can remove the wires, carefully re-do the wiring connection.

**STEP 6:****GROUNDING INSTRUCTIONS:**

Connect the supply ground wire, fixture ground wire, and mounting bar ground wire (pre attached) using the supplied wiring connector. Gently try to remove the wires from the connector. If you can remove the wires, carefully re-do the wiring connection.

**FINAL ASSEMBLY**

**Make sure no bare wires can be seen outside wire connectors.**

**STEP 1:**

After wires are connected, tuck them carefully inside outlet box. Raise canopy (E) against ceiling and secure by threading screw collar ring (G) to screw collar (L).

**STEP 2:**

Place candle covers (I) over sockets.

**STEP 3:**

Install lamps.

**STEP 4:**

Place decorative cup (K) to bottom of fixture and secure by threading finial (J) to threaded nipple at the bottom of the fixture.