

PLEASE KEEP AWAY FROM COMBUSTIBLE MATERIALS.

Lamp data is based on manufacturers published information recalculated at approximately 12 volts.

LAMP DATA		APPROX. COLOR (TEMP.K)	APPROX. LIGHT (LUMEN)	RATED LIFE (HOURS)	WATTS CONSUMED	SUGGESTED SPACING (INCHES)	CATALOG NUMBER	LIGHTING APPLICATION
LAMP SELECTION AND SPACING GUIDE								
ACCENT	9727	8	20,000	2.1	6-12	ACCENT	9727	ACCENT
ACCENT	9731	15	19,000	2.7	4-12	ACCENT	9731	ACCENT
TASK	9728	23	9,000	4.0	4-12	TASK	9728	TASK
TASK	9729	26	2,000	3.9	4-12	TASK	9729	TASK
TASK	9732	33	8,000	4.2	4-12	TASK	9732	TASK

Lamp data is based on manufacturers published information recalculated at approximately 12 volts.

LAMP DATA		APPROX. COLOR (TEMP.K)	APPROX. LIGHT (LUMEN)	RATED LIFE (HOURS)	WATTS CONSUMED	SUGGESTED SPACING (INCHES)	CATALOG NUMBER	LIGHTING APPLICATION
LAMP SELECTION AND SPACING GUIDE								
ACCENT	9727	8	20,000	2.1	6-12	ACCENT	9727	ACCENT
ACCENT	9731	15	19,000	2.7	4-12	ACCENT	9731	ACCENT
TASK	9728	23	9,000	4.0	4-12	TASK	9728	TASK
TASK	9729	26	2,000	3.9	4-12	TASK	9729	TASK
TASK	9732	33	8,000	4.2	4-12	TASK	9732	TASK

GENERATION LIGHTING

INSTALLATION AND SAFETY INSTRUCTIONS

FOR YOUR SAFETY **HC-128**

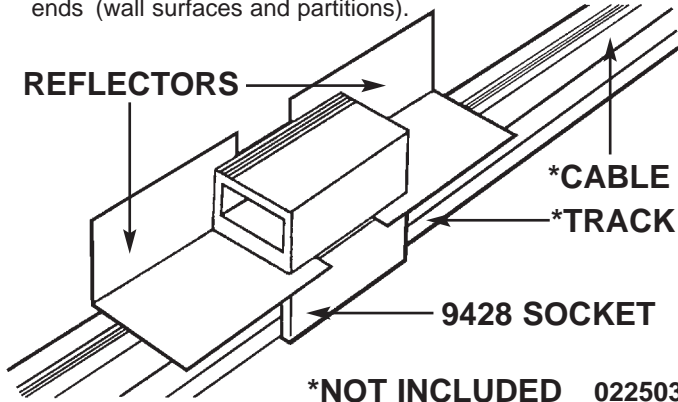
WARNING: Be sure the electricity to the system you are working on is turned off; either the fuse removed or the circuit breaker set at off. PLEASE KEEP AWAY FROM COMBUSTIBLE MATERIALS.

(USE ONLY WITH AMBIANCE 105° CABLE)

TO INSTALL 9428 SOCKET

CAUTION: Do not remove reflectors, heat from lamps will damage cable.

- Determine socket location and spacing, minimum 4" center to center.
- Install bulbs (not included), 5 watt maximum.
- Press socket straight down into track and cable until socket snaps into place.
- Center of socket must not be closer than 1 1/2" to closed ends (wall surfaces and partitions).



WARNING: Use of other manufacturers components will void warranty, U.L. listing and create a potential safety hazard.

GENERATION LIGHTING

INSTALLATION AND SAFETY INSTRUCTIONS

FOR YOUR SAFETY **HC-128**

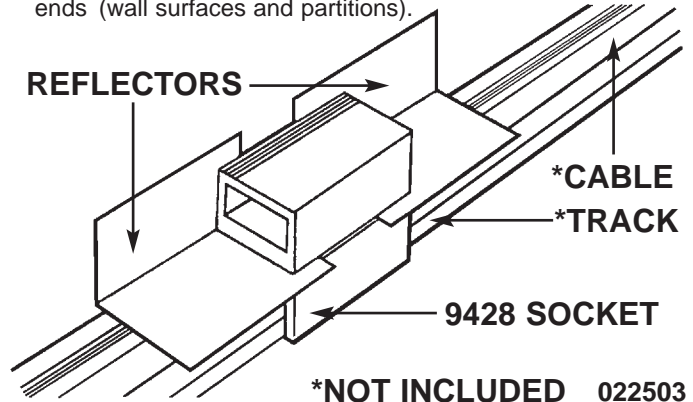
WARNING: Be sure the electricity to the system you are working on is turned off; either the fuse removed or the circuit breaker set at off. PLEASE KEEP AWAY FROM COMBUSTIBLE MATERIALS.

(USE ONLY WITH AMBIANCE 105° CABLE)

TO INSTALL 9428 SOCKET

CAUTION: Do not remove reflectors, heat from lamps will damage cable.

- Determine socket location and spacing, minimum 4" center to center.
- Install bulbs (not included), 5 watt maximum.
- Press socket straight down into track and cable until socket snaps into place.
- Center of socket must not be closer than 1 1/2" to closed ends (wall surfaces and partitions).



WARNING: Use of other manufacturers components will void warranty, U.L. listing and create a potential safety hazard.