

# INSTALLATION AND SAFETY INSTRUCTIONS

## IMPORTANT SAFETY INSTRUCTIONS

- Be sure the electricity to the system you are working on is turned off; either the fuse removed or the circuit breaker set at off.
- Use of other manufacturers components will void warranty, listing and create a potential safety hazard.
- If you are unclear as to how to proceed, contact a qualified electrician.
- You don't need special tools to install this fixture.
- Be sure to follow the steps in the order given.
- Read instructions carefully.
- Save these instructions.

## BEFORE YOU BEGIN

Carefully remove the fixture from the carton and check that all parts are included, as shown in Figures 1 & 2. Be careful not to misplace any of the screws or parts which are needed to install this fixture.

**NOTE: THIS FIXTURE CAN BE HUNG USING 1, 2, OR 3 RODS. SELECT THE NUMBER OF RODS DESIRED.**

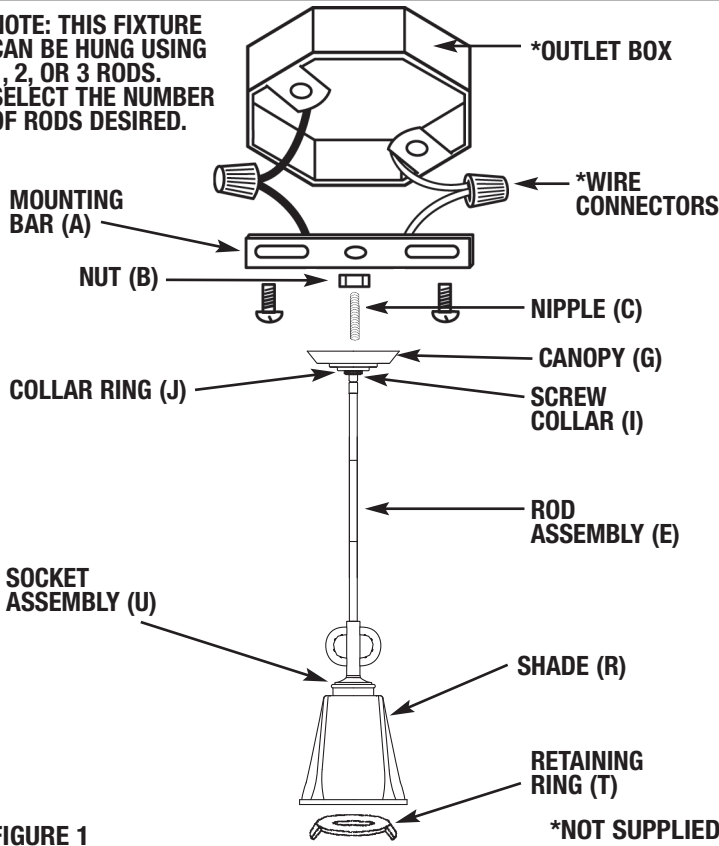


FIGURE 1

## FOR STEM MOUNT – REFER TO FIGURE 1

- STEP 1:** Secure mounting bar (A) to outlet box using outlet box screws (not provided). Thread nipple (C) into mounting bar (A) so 5 threads are past mounting bar (A). Secure by threading nut (B) onto nipple (C) and to mounting bar (A). Thread screw collar (I) to nipple (C).
- STEP 2:** Assemble rod assembly (E) by threading desired amount of rods together.
- STEP 3:** Feed the fixture wire from the socket assembly (U), through the rod assembly (E) and thread rod assembly (E) into socket assembly (U). Slide screw collar ring (J) to socket assembly (U). Continue to feed wire through canopy (G), and screw collar (I).
- STEP 4:** Thread rod assembly (E) into socket assembly (U). Slide collar ring (J) and canopy (G) (in that order) over rod assembly (U). Thread remaining end of rod assembly (E) onto screw collar (I).

## GROUNDING AND MOUNTING BAR LOCK UP

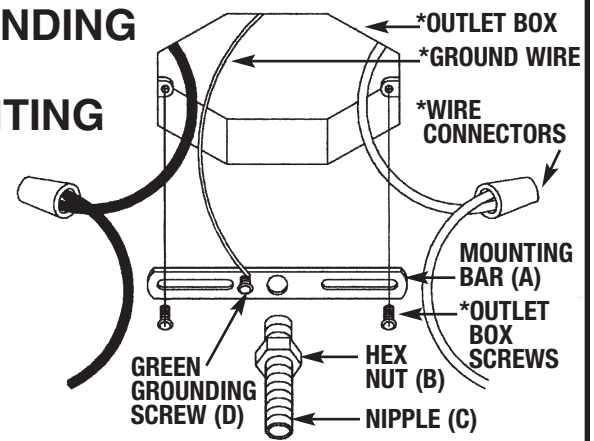


FIGURE 2

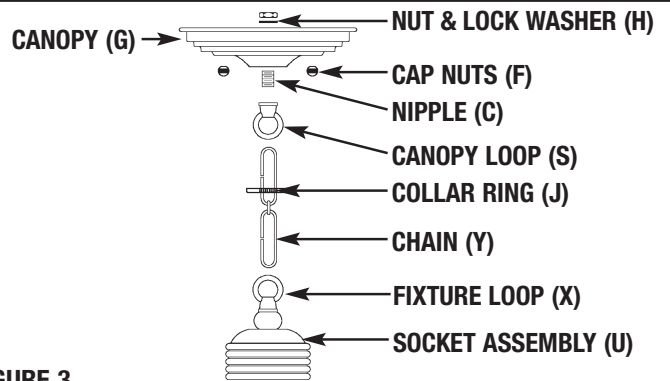


FIGURE 3

## ASSEMBLY FOR CHAIN HUNG – REFER TO FIGURE 3

- STEP 1:** Secure mounting bar (A) to outlet box using outlet box screws (not supplied).
- STEP 2:** Thread nipple (C) into mounting bar (A) so 5 threads are past mounting bar (A). Secure by threading lockwasher & nut (B) to mounting bar (A). Thread screw collar (I) to nipple (C). Thread canopy loop (S) to screw collar (I).
- STEP 3:** Install fixture loop (X) onto socket assembly (U).
- STEP 4:** Feed the fixture wire from the socket assembly (U), through the fixture loop (X).



**sea gull lighting®**

## Installation And Safety Instruction

**HC-1168**

**081507**

Line art shown may not exactly match the fixture enclosed. However, the installation instructions do apply to this fixture.

Fill In Item Number On Carton And File This Sheet For Fixture Reference. ITEM# \_\_\_\_\_

**FOR CHAIN HUNG ONLY**

**STEP 1:**

Using 2 pair of pliers, open one link of chain (Y) and connect it to the fixture loop (X) at the top of the fixture.

**STEP 2:**

Lace fixture wire up through entire chain (Y) and pass through canopy loop (S). We recommend lacing wire up through every other link of chain (Y). Slide collar ring (J) and canopy (G) to socket assembly (U).

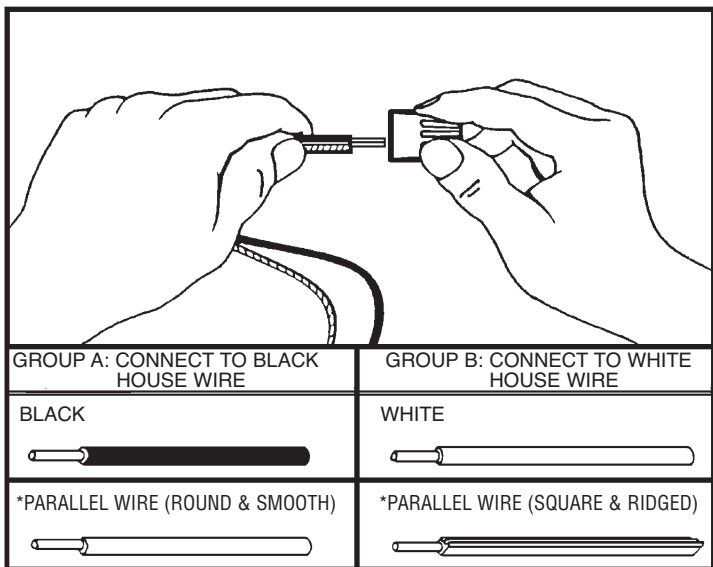
**STEP 3:**

Using 2 pairs of pliers open the other end of the chain and attach that to the canopy loop (S). **BE SURE TO CLOSE ALL CHAIN LINKS COMPLETELY.**

**WIRING**

**STEP 1:**

**A.** Take note of the color of the wire(s) on your fixture. Identify which group your fixture wire(s) falls into and connect the wires according to the directions below:



\*NOTE: When parallel wire is used, the tracer wire is square shaped or ridged, and the less tracer wire is round in shape or smooth. (Seen best when viewed from wire end.) To separate wires, grasp the ends of each wire and pull apart.

- B.** Take your fixture wire(s) from group A and place evenly against the black wire from the outlet box. **DO NOT** twist wires together before using wire connectors.
- C.** Fit a wire connector (not supplied) over the wires and thread the connector clockwise until you feel a firm resistance.
- D.** Gently try to remove wires from connector. If you can remove wires, carefully re-do steps B and C, as above and check again for a firm connection.
- E.** Connect the fixture wire from group B to the white wire from the outlet box in the same manner.

**STEP 2:**

**GROUNDING INSTRUCTIONS:** The green grounding screw (D) is to be inserted into the hole with two raised dimples provided on the mounting bar (A). Wrap the ground wire from the fixture (if supplied) and the ground wire from the outlet box (bare metal or green insulated wire) around the green grounding screw (D) on the mounting bar (A). If uninsulated wire is on the mounting bar (A), connect the ground wire from the fixture (if supplied) and the outlet box to it using a small wire connector (not supplied).

**NEVER CONNECT GROUND WIRE TO BLACK OR WHITE POWER SUPPLY WIRES.**

**FINAL ASSEMBLY**

**Make sure no bare wires can be seen outside wire connectors.**

**STEP 1:**

After wires are connected, tuck them carefully inside outlet box and then raise the canopy (G) against ceiling and secure by threading collar ring (J) to screw collar (I).

**STEP 2:**

Place shade (R) onto socket assembly (U) and secure by threading retaining ring (T) onto socket.

**STEP 3:**

Install lamp.

**CLEANING**

To clean, wipe fixture body with a soft cloth. Clean glass with a mild soap. Do not use abrasive materials such as scouring pads or powders, steel wool or abrasive paper.

**ORDERING PARTS**

Keep this sheet for future reference, and in case you need to order replacement parts. Parts for this fixture can be ordered from place of purchase. Be sure to use exact wording from illustration when ordering parts.