

# Cape May Large Outdoor Wall

88244 1.0

## GENERATION LIGHTING

### CAUTION - RISK OF FIRE

This product must be installed in accordance with the applicable installation code by a person familiar with the construction and operation of the product and the hazards involved.

Use minimum 90°C supply conductors.

### GENERAL PRODUCT INFORMATION:

These fixtures are intended to be installed utilizing NEC compliant junction boxes.

This product is safety listed for wet locations.

Incandescent version may be dimmed with a standard incandescent dimmer. LED version may be dimmed with a LED dimmer. Consult lamp manufacturer for additional information.

This instruction shows a typical installation.

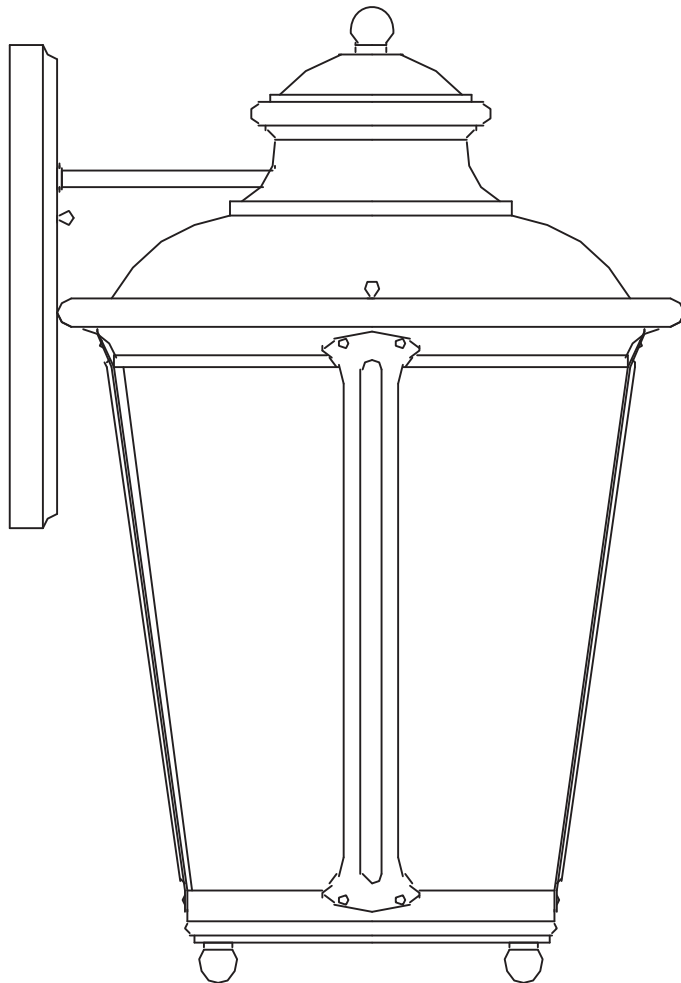
## GENERATION LIGHTING

7400 Linder Ave, Skokie, IL 160077

800.969.3347

[www.visualcomfort.com](http://www.visualcomfort.com)

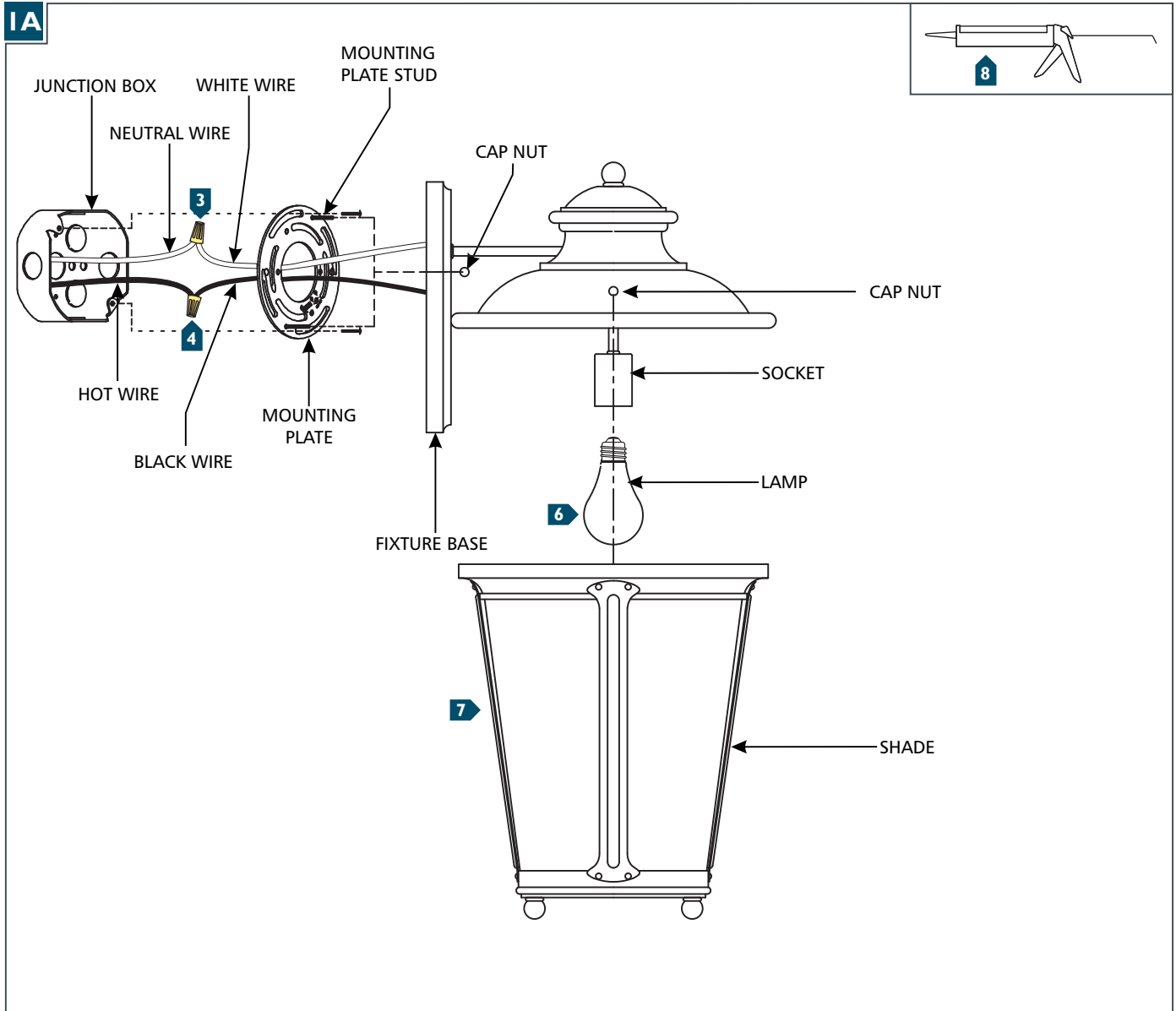
©2023 Visual Comfort & Co.. All rights reserved. The Visual Comfort & Co. logo is a registered trademark of Visual Comfort & Co. Visual Comfort & Co. reserves the right to change specifications for product improvements without notification



**SAVE THESE INSTRUCTIONS!**

# Install the Fixture

IA



- 1** Secure the mounting plate to the junction box.
- 2** Connect the fixture to a suitable ground in accordance to local electrical codes.
- 3** Connect the white fixture wire to the neutral power line wire with a wire nut.
- 4** Connect the black fixture wire to the hot power line wire with a wire nut.
- 5** Align and place the fixture base onto the mounting plate studs and secure it with the two cap nuts.
- 6** Screw the lamp into the socket. Refer to the label on the socket for Max Wattage Information.
- 7** Insert shade studs into the fixture and secure the shade in place with the cap nuts.
- 8** For wet locations, caulk around the base of the fixture with waterproof construction sealant.