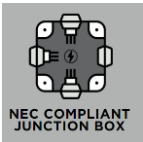
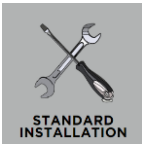


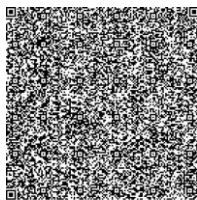
## CROWELL MEDIUM ONE LIGHT OUTDOOR WALL LANTERN

8747901

### General Product Information

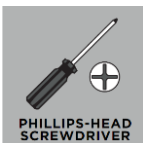


WARRANTY



FCC STATEMENT

### Tools Required



### Safety Information

#### CAUTION-RISK OF FIRE

This product must be installed in accordance with the applicable installation code by a person familiar with the construction and operation of the product and the hazards involved.

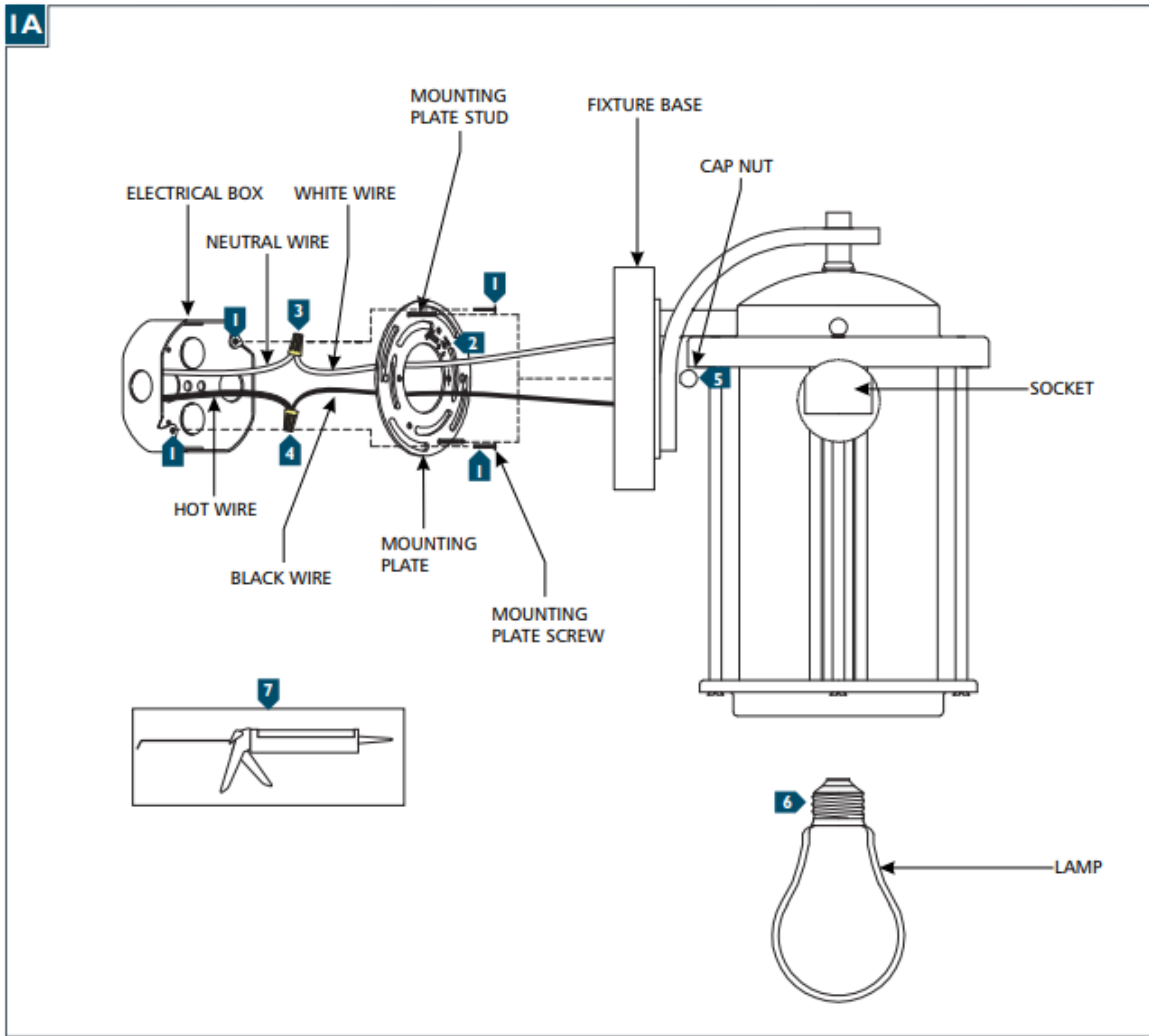
**USE MINIMUM 90°C SUPPLY CONDUCTORS.**



Turn off electrical current at the source before working with any lighting fixture or portable lamp.

Install and use this product in adherence with local electrical codes and regulations.





## INSTRUCTIONS

### I. Preparing the Fixture

1. Secure the mounting plate to the junction box with the mounting screws.

### II. Wiring the Fixture

1. Safety first! Locate the circuit breaker and switch it off to cut off the power supply to the relevant circuits to ensure there's no electricity running through the wiring.
2. In accordance with local electrical codes, connect the fixture ground wire (bare copper or silver wire) to suitable ground. This may be a green ground screw on the mounting plate, which the ground wire should be tightly wrapped around, or a house wire (green or bare copper wire without insulation).
3. Twist the bare ends of the following pairs of wires together using a wire nut to secure a connection:
  - a) White fixture wire to neutral power line wire
  - b) Black fixture wire to hot power line wire
4. Carefully tuck all the wires in the junction box.

### Installing the Fixture

1. Align then place the fixture base onto the mounting plate studs and secure it with the two cap nuts.
2. Screw the lamp into the socket. Refer to the label on the socket for Max Wattage Information.
3. For wet locations, caulk around the base of the fixture with waterproof construction sealant.