

INSTALLATION AND SAFETY INSTRUCTIONS

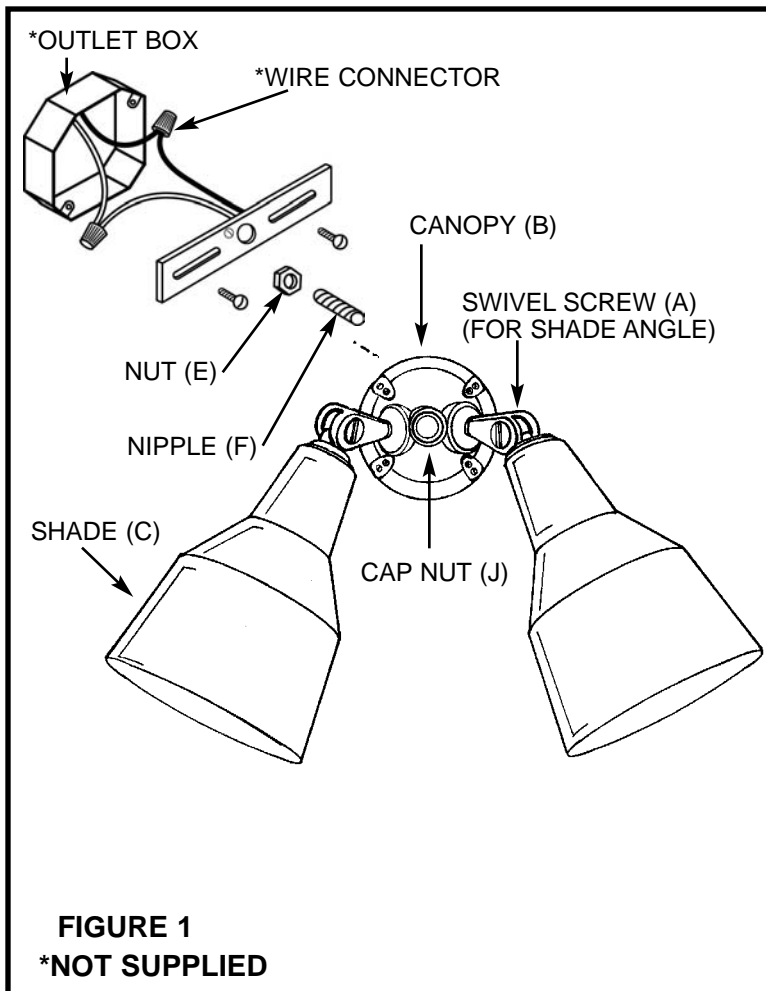
FOR YOUR SAFETY

WARNING: BE SURE THE ELECTRICITY TO THE WIRES YOU ARE WORKING ON IS SHUT OFF. EITHER THE FUSE REMOVED OR THE CIRCUIT BREAKER OFF .

GENERAL

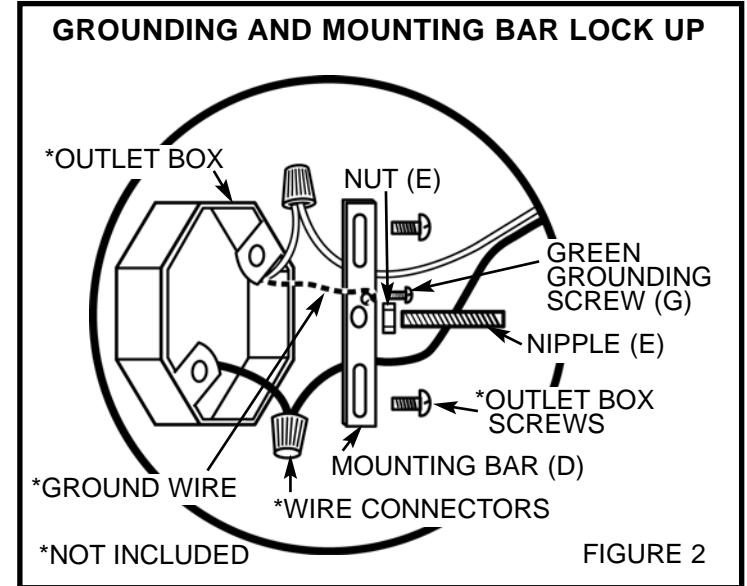
You don't need special tools to install this fixture. Be sure to follow the steps in the order given. Under no circumstances should a fixture be hung on house electrical wires, nor should a swag type fixture be installed on a ceiling which contains a radiant type heating system. Read instructions carefully. **NOTE: Read the instructions carefully. If you are unclear as to how to proceed, consult a qualified electrician.**

NOTE: Illustration is only intended for easy identification of parts and is in no way a representation of your particular fixture. Your fixture may not use every part shown in illustration.



ASSEMBLY

Carefully remove the fixture from the carton and check that all parts are included, as shown in Figure 1 & 2. Be careful not to misplace any of the screws or parts which are needed to install this fixture.



CAUTION: ONLY AIM SHADE BELOW HORIZONTAL

VISUAL COMFORT & Co.

GENERATION LIGHTING

INSTALLATION

HC-412

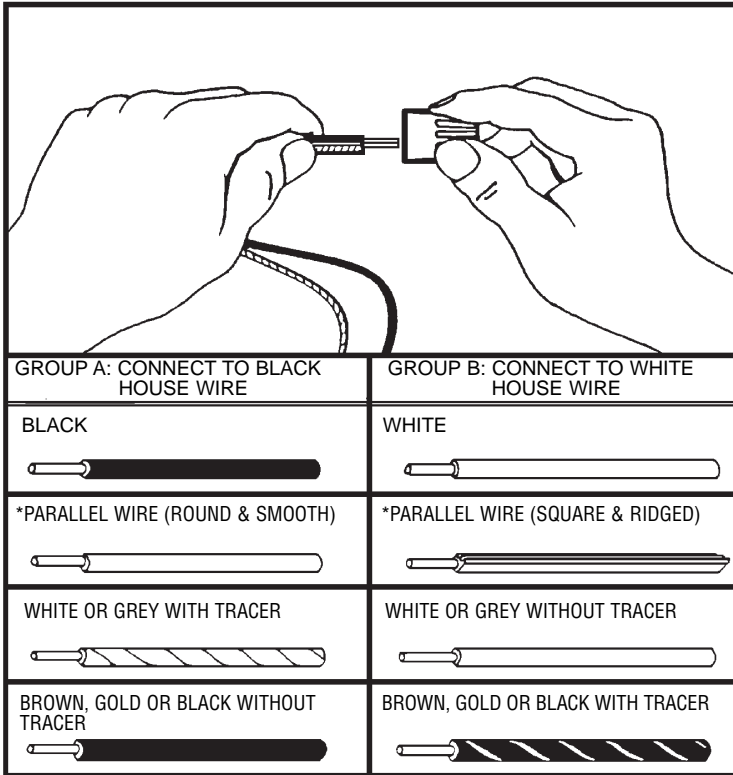
IMPORTANT: DO NOT ATTACH FIXTURE DIRECTLY TO OUTLET BOX.

STEP 1:

Secure mounting bar (D) to outlet box with outlet box screws (not supplied). Thread nut (E) on nipple (F) so that 3 threads are exposed above nut (E). Thread nipple (F) into mounting bar (D) and secure with nut (E).

STEP 2:

A. Take note of the color of the wire(s) on your fixture. Identify which group your fixture wire(s) fall into and connect the wire(s) according to the directions below:



*NOTE: When parallel wire is used, the tracer wire is square shaped or ridged, and the less tracer wire is round in shape or smooth. (Seen best when viewed from wire end.) To separate wires, grasp the ends of each wire and pull apart.

B. Take your fixture wire(s) from group A and place evenly against the black wire from the outlet box. DO NOT twist wires together before using wire connectors.

C. Fit a wire connector (not supplied) over the wires and screw the connector clockwise until you feel a firmness.

D. Try gently to pull the connector off the wires. If you can pull the connector off, carefully re-do steps B and C, as above, and check again for a firm connection.

E. Connect the fixture wire from group B to the white wire from the outlet box in the same manner.

STEP 3:

GROUNDING INSTRUCTIONS: The green grounding screw is to be inserted into the hole with two raised dimples provided on the mounting bar. Wrap the ground wire from the fixture (if supplied) and the ground wire from the outlet box (bare metal) or green insulated wire around the green grounding screw on the mounting bar.

NOTE: Underwriters Laboratories (U.L.) does not require all fixtures to have ground wires. These fixtures still meet all U.L. specifications. The listing mark of Underwriters on the product identifies products manufactured under its listing and Follow-Up Service Programs.

NEVER CONNECT GROUND WIRE TO BLACK OR WHITE POWER SUPPLY WIRES.

FINAL ASSEMBLY

Make sure no bare wires can be seen outside wire connectors.

STEP 1:

After wires are connect, tuck them carefully inside outlet box. Raise the canopy (B) firmly over the mounting nipple (F) and against the wall. Secure in place with cap nut (J).

STEP 2:

(IF APPLICABLE) Install gasket through lamp base

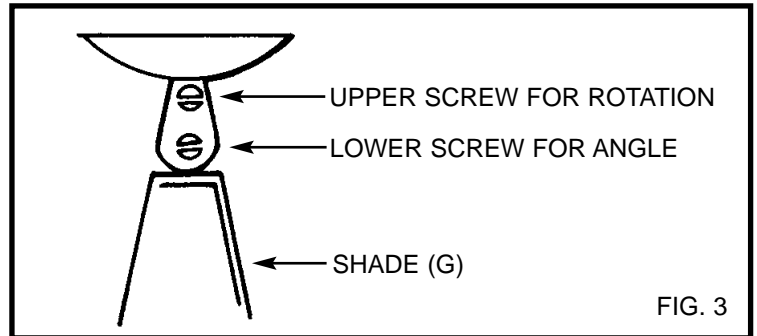
STEP 3:

Install lamps.

If your fixture has two adjustment screws:

For swivel adjustment:

Slightly loosen upper and lower swivel tension screws. Angle and rotate shade (G) to desired position, tighten screws. (See Fig. 3) (If applicable.) Husk must be aimed down a minimum of 30° below horizontal.



CLEANING

To clean, wipe fixture with a soft cloth. Clean glass with a mild soap. Do not use abrasive materials such as scouring pads or powders, steel wool or abrasive paper.

ORDERING PARTS

Keep this sheet for future reference, and in case you need to order replacement parts. All parts for this fixture can be ordered from place of purchase. Be sure to use exact wording from illustration when ordering parts.

WET LOCATION

NOTE: FOR FIXTURES LABELED FOR WET LOCATION AND USED OUTDOORS.

CAUTION: To reduce the risk of electrical shock, provide a watertight seal between the fixture and the mounting surface by using a silicone or similar caulking.