

# INSTALLATION AND SAFETY INSTRUCTIONS

## FOR YOUR SAFETY

**WARNING: BE SURE THE ELECTRICITY TO THE WIRES YOU ARE WORKING ON IS SHUT OFF. EITHER THE FUSE REMOVED OR THE CIRCUIT BREAKER OFF.**

## GENERAL

You don't need special tools to install this fixture. Be sure to follow the steps in the order given. Under no circumstances should a fixture be hung on house electrical wires, nor should a swag type fixture be installed on a ceiling which contains a radiant type heating system. Read instructions carefully. **If you are unclear as to how to proceed, consult a qualified electrician.**

**NOTE: Proper wiring is essential for the safe operation of this fixture.**

## IMPORTANT SAFETY INSTRUCTIONS

Lighted lamp is HOT!

**WARNING - To reduce the risk of FIRE or INJURY TO PERSONS:**

Turn off/unplug and allow to cool before replacing lamp.

Lamp gets HOT quickly! Contact only switch/plug when turning on.

Do not touch hot lens, guard, or enclosure.

Keep lamp away from materials that may burn.

Do not operate the luminaire fitting with a missing or damaged shield.

SAVE THESE INSTRUCTIONS

## ASSEMBLY

Carefully remove the fixture from the carton and check that all parts are included, as shown in Figure 1 & 2. Be careful not to misplace any of the screws or parts which are needed to install this fixture.

**IF SUPPLY WIRES ARE LOCATED WITHIN 3" OF BALLAST, USE WIRE RATED FOR AT LEAST 90° C.**

## GROUNDING AND MOUNTING BAR LOCK UP

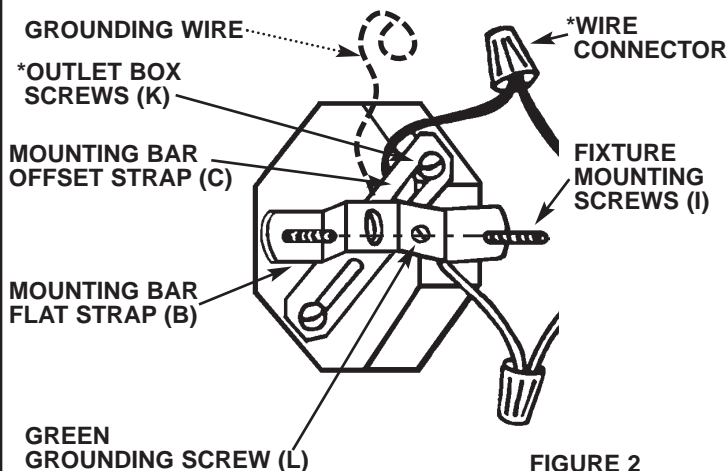
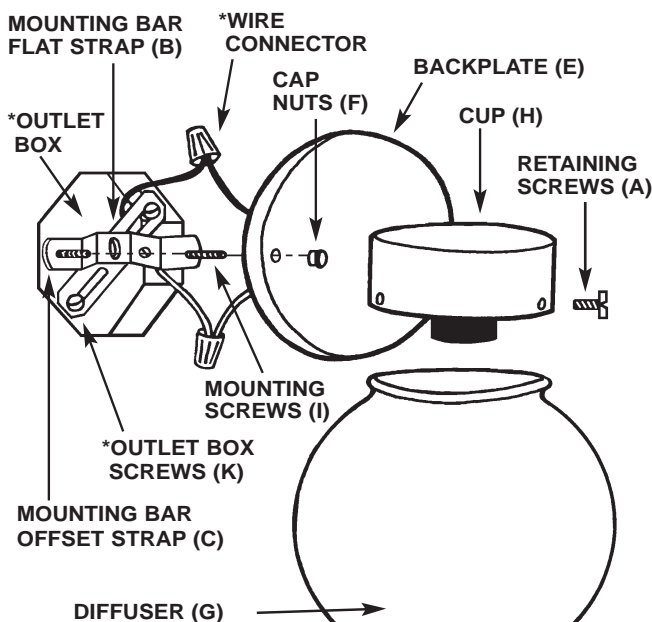


FIGURE 2  
\*NOT SUPPLIED

FIGURE 1

\*NOT SUPPLIED



**NOTE: FOR FIXTURES PROVIDED WITH 75° C OR 90° C SUPPLY WIRE WARNING ONLY-(THESE WARNINGS ARE PROVIDED ON THE U.L. LABEL AND ON THE FIXTURE CARTON): RISK OF FIRE. MOST DWELLINGS BUILT BEFORE 1985 HAVE SUPPLY WIRE RATED 60° C. CONSULT A QUALIFIED ELECTRICIAN BEFORE INSTALLING.**

GENERATION LIGHTING

## INSTALLATION

HC-410

**IMPORTANT: DO NOT ATTACH FIXTURE DIRECTLY TO OUTLET BOX.**

### STEP 1:

Hold mounting bar with flat strap (B) behind offset strap (C). Rotate straps so they are at right angles to one another.

### STEP 2:

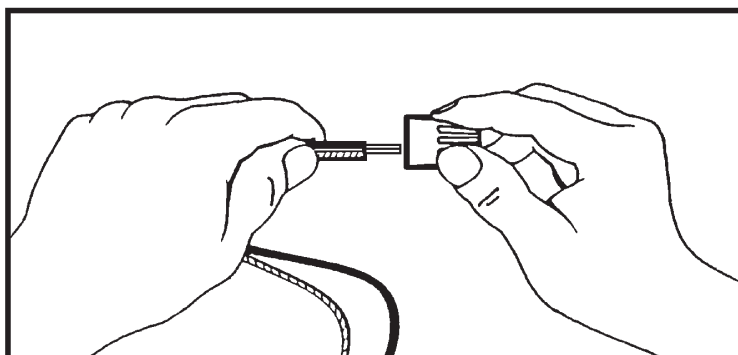
Insert fixture mounting screws (I) in threaded holes of offset strap (C). Run screws all the way down to the heads.

### STEP 3:

Place flat strap (B) of mounting bar against outlet box (not supplied) and fasten mounting bar, through slots in flat strap (B), to outlet box with outlet box screws (K) (not supplied). Be sure the mounting screws are perfectly horizontal so fixture hangs straight.

### STEP 4:

A. Take note of the color of the wire(s) on your fixture. Identify which group your fixture wire(s) falls into and connect the wires according to the directions below:



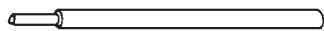
GROUP A: CONNECT TO BLACK HOUSE WIRE

GROUP B: CONNECT TO WHITE HOUSE WIRE

BLACK



WHITE



\*PARALLEL WIRE (ROUND & SMOOTH)



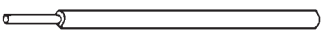
\*PARALLEL WIRE (SQUARE & RIDGED)



WHITE OR GREY WITH TRACER



WHITE OR GREY WITHOUT TRACER



BROWN, GOLD OR BLACK WITHOUT TRACER



BROWN, GOLD OR BLACK WITH TRACER



\*NOTE: When parallel wire is used, the tracer wire is square shaped or ridged, and the less tracer wire is round in shape or smooth. (Seen best when viewed from wire end.) To separate wires, grasp the ends of each wire and pull apart.

B. Take your fixture wire(s) from group A and place evenly against the black wire from the outlet box. **Do Not** twist wires together before using wire connectors.

C. Fit a wire connector (not supplied) over the wires and screw the connector clockwise until you feel a firmness.

D. Try gently to pull the connector off the wires. If you can pull the connector off, carefully re-do steps B and C, as above, and check again for a firm connection.

E. Connect the fixture wire from group B to the white wire from the outlet box in the same manner.

### STEP 5:

**GROUNDING INSTRUCTIONS:** The green grounding screw (L) is to be inserted into the hole with two raised dimples provided on the mounting bar. Wrap the ground wire from the fixture (if supplied) and the ground wire from the outlet box (bare metal or green insulated wire) around the green grounding screw (L) on the mounting bar. If uninsulated ground wire is on the mounting bar, connect the ground wire from the fixture (if supplied) and the outlet box to it using a small wire connector (not supplied) (See Figure 2).

NOTE: Underwriters Laboratories (U.L.) does not require all fixtures to have ground wires. These fixtures still meet all U.L. specifications. The listing mark of Underwriters on the product identifies products manufactured under its listing and Follow-Up Service Programs.

**NEVER CONNECT GROUND WIRE TO BLACK OR WHITE POWER SUPPLY WIRES.**

## FINAL ASSEMBLY

**Make sure no bare wires can be seen outside wire connectors.**

### STEP 1:

After wires are connected tuck them carefully into outlet box.

### STEP 2:

Position backplate [E] over mounting screws [I]. Secure in place with small cap nuts [F].

### STEP 3:

Install lamps.

**Warning for Fixture #8550DB:** Do not touch the lamp at anytime. Use a soft cloth. Oil from skin may damage lamp.

### STEP 4:

Place diffuser(G) in cup (H). Use diffuser retaining screws (A) or retainer rings where applicable. We recommend finger tightening. If tools are used, do not over tighten.

## CLEANING

To clean, wipe fixture with a soft cloth. Clean glass with a mild soap. Do not use abrasive materials such as scouring pads or powders, steel wool or abrasive paper.

## ORDERING PARTS

Keep this sheet for future reference, and in case you need to order replacement parts. All parts for this fixture can be ordered from place of purchase. Be sure to use exact wording from illustration when ordering parts.

## WET LOCATION

**NOTE: FOR FIXTURES LABELED FOR WET LOCATION AND USED OUTDOORS.**

**CAUTION:** To reduce the risk of electrical shock, provide a watertight seal between the fixture and the mounting surface by using a silicone or similar caulking.