

ONE LIGHT LANTERN

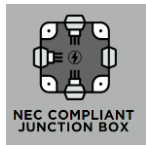
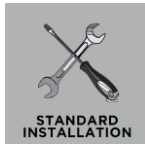
8550

www.visualcomfort.com

General Product Information



SAVE THESE INSTRUCTIONS!



Product Warranty



FCC Statement

Suggested/Required Tools



Safety Information

CAUTION-RISK OF FIRE

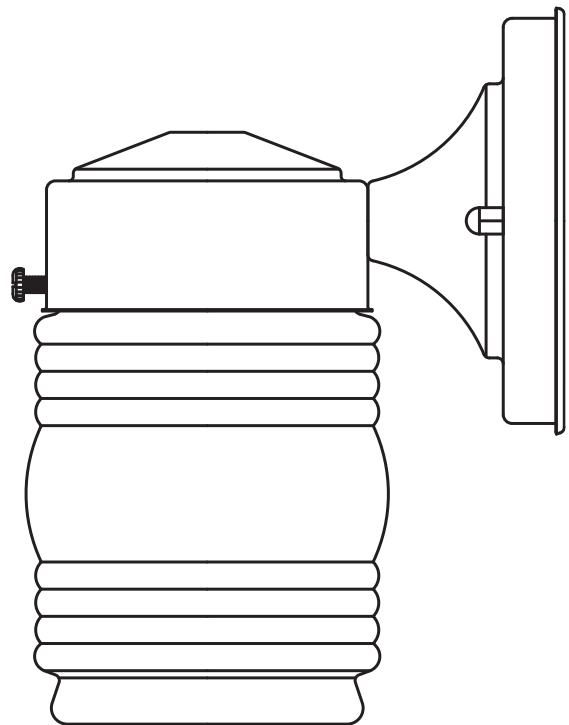
This product must be installed in accordance with the applicable installation code by a person familiar with the construction and operation of the product and the hazards involved.

USE MINIMUM 90°C SUPPLY CONDUCTORS.



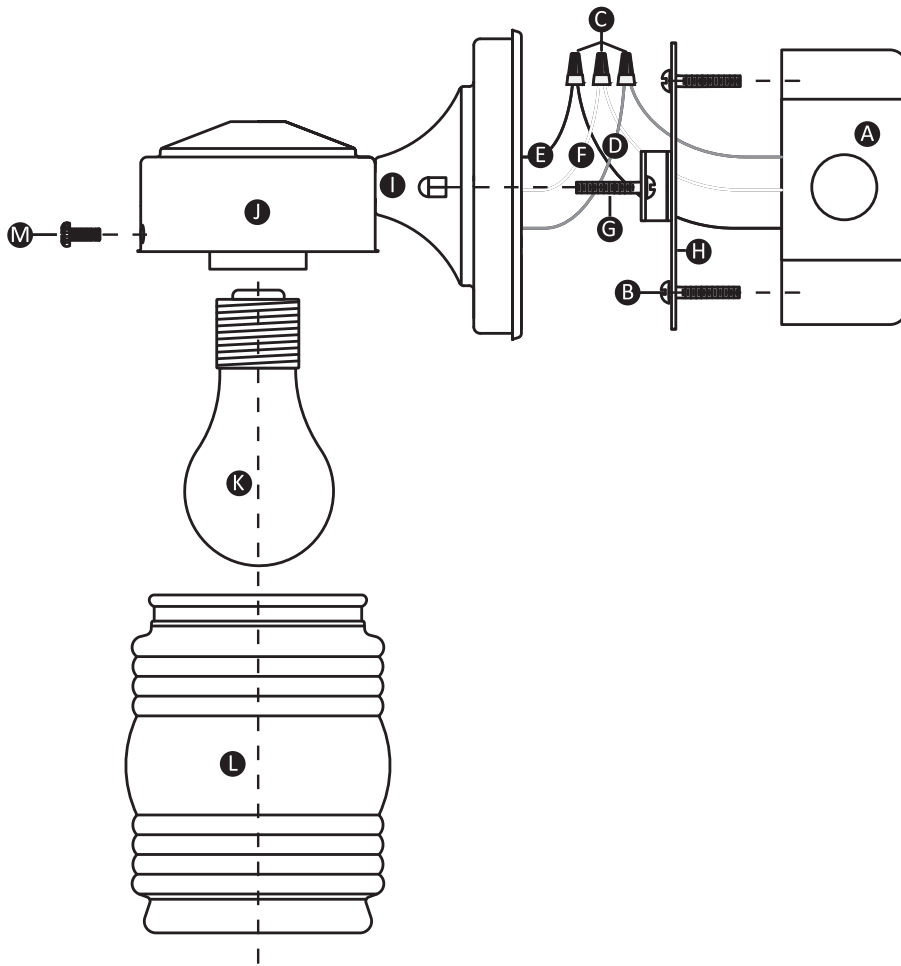
Turn off electrical current at the source before working with any lighting fixture or portable lamp.

Install and use this product in adherence with local electrical codes and regulations.



FIXTURE PARTS

- A. Junction Box
- B. Mounting Screws
- C. Wire Nut Connections
- D. Ground Wire
- E. Hot Wire
- F. Neutral Wire
- G. Mounting Stud
- H. Mounting Plate
- I. Cap Nut
- J. Socket
- K. Bulb
- L. Diffuser
- M. Diffuser Retaining Screw



INSTRUCTIONS

I. Preparing the Fixture

1. Hold the mounting bar with the flat strap behind the offset strap. Rotate the straps so they are at right angles to one another.
2. Insert the mounting screws into the threaded holes of the offset strap. Run the screws all the way down to the heads.
3. Place the flat strap of the mounting bar against the outlet box and fasten the mounting bar through the slots in the flat strap to the outlet box with the outlet box screws (not included). Ensure the mounting screws are perfectly horizontal so the fixture hangs straight.

II. Wiring the Fixture

1. Safety first! Locate the circuit breaker and switch it off to cut off the power supply to the relevant circuits to ensure there's no electricity running through the wiring.
2. In accordance with local electrical codes, connect the fixture ground wire (bare copper or silver wire) to suitable ground. This may be a green ground screw on the mounting plate or a house wire (green or bare copper wire without insulation).
3. Twist the bare ends of the following pairs of wires together using a wire nut to secure a connection:
 - a) Hot fixture wire (black) and hot power line wire from the junction box (hot to hot)
 - b) Neutral fixture wire (white) and neutral power line wire from the junction box (neutral to neutral)
4. Tuck the wire connections carefully into the outlet box.

III. Installing the Fixture

1. Position the backplate over the mounting screws. Secure in place with small cap nuts.
2. Install the bulbs.
3. Place the diffuser in the cup. Use the diffuser retaining screws or retainer rings where applicable. **Do not** overtighten.