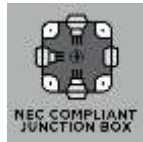


CALDER OUTDOOR POST LANTERN

8250701

General Product Information



Tools Required



Safety Information

CAUTION-RISK OF FIRE

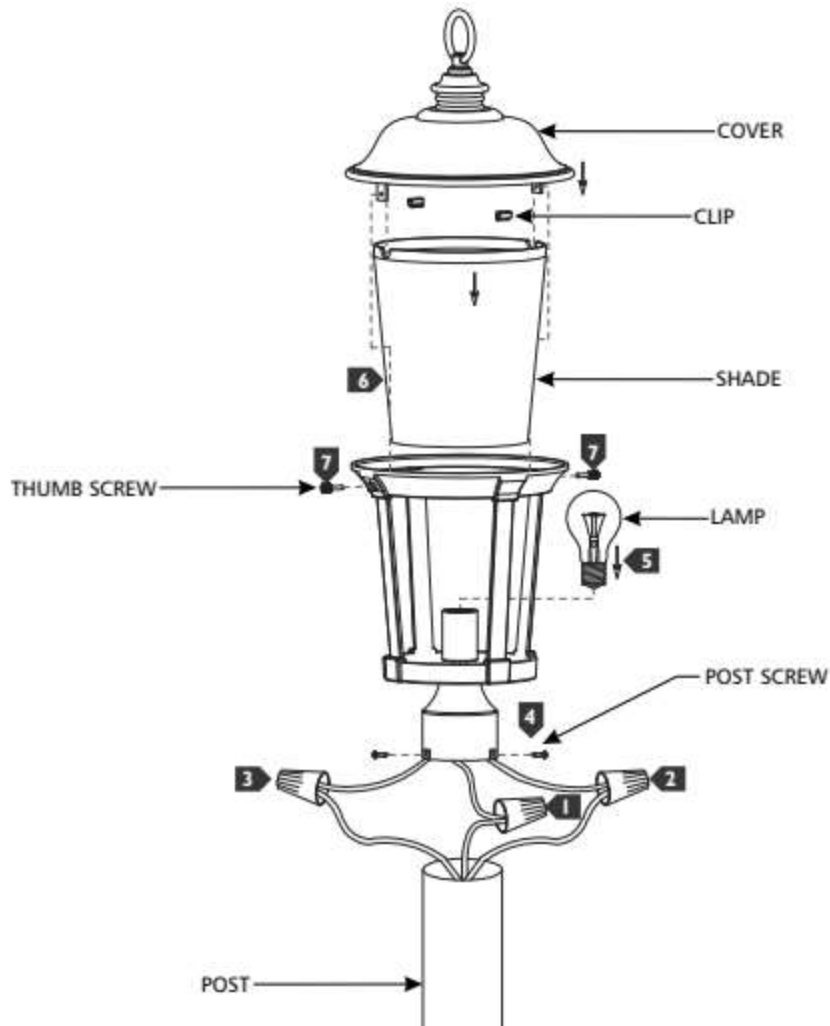
This product must be installed in accordance with the applicable installation code by a person familiar with the construction and operation of the product and the hazards involved.

USE MINIMUM 90°C SUPPLY CONDUCTORS.



Turn off electrical current at the source before working with any lighting fixture or portable lamp.
Install and use this product in adherence with local electrical codes and regulations.





INSTRUCTIONS

I. Wiring the Fixture

1. Safety first! Locate the circuit breaker and switch it off to cut off the power supply to the relevant circuits to ensure there's no electricity running through the wiring.
2. In accordance with local electrical codes, connect the fixture ground wire (bare copper or silver wire) to suitable ground. This may be a green ground screw on the mounting plate, which the ground wire should be tightly wrapped around, or a house wire (green or bare copper wire without insulation).
3. Twist the bare ends of the following pairs of wires together using a wire nut to secure a connection:
 - a) White fixture wire to neutral power line wire
 - b) Black fixture wire to hot power line wire
4. Secure the fixture to the post with post screws.
5. Screw the lamp into the socket. Refer to the label on the socket for Max Wattage Information.
6. Install the shade to the frame and secure it in place with the clips.
7. Place the cover onto the fixture studs and secure it in place with the thumb nuts.