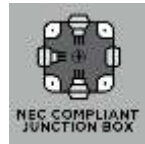


CROWELL FLUSH MOUNT

7847902



General Product Information



WARRANTY



FCC STATEMENT

Tools Required



Safety Information

CAUTION-RISK OF FIRE

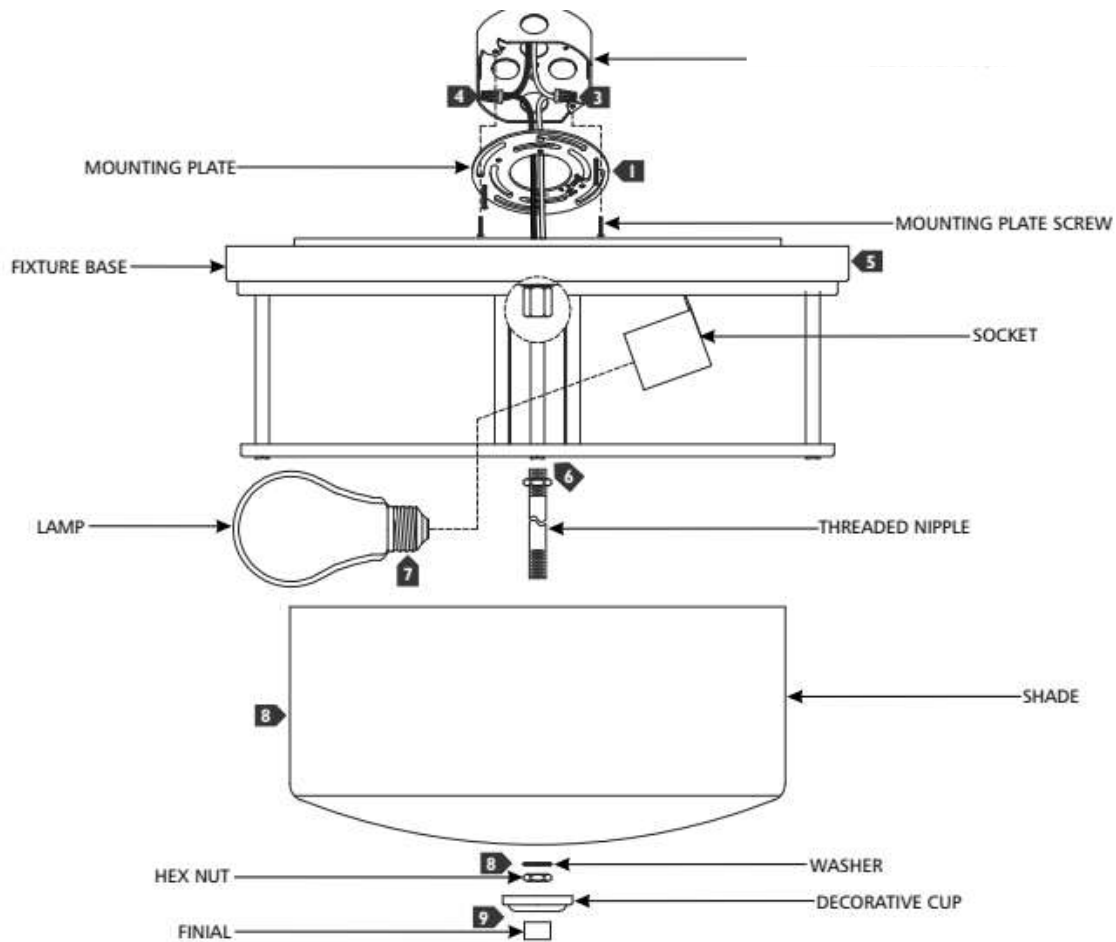
This product must be installed in accordance with the applicable installation code by a person familiar with the construction and operation of the product and the hazards involved.

USE MINIMUM 90°C SUPPLY CONDUCTORS.



Turn off electrical current at the source before working with any lighting fixture or portable lamp.

Install and use this product in adherence with local electrical codes and regulations.



INSTRUCTIONS

I. Preparing the Fixture

1. Secure the mounting plate to the junction box.

II. Wiring the Fixture

1. Safety first! Locate the circuit breaker and switch it off to cut off the power supply to the relevant circuits to ensure there's no electricity running through the wiring.
2. In accordance with local electrical codes, connect the fixture ground wire (bare copper or silver wire) to suitable ground. This may be a green ground screw on the mounting plate, which the ground wire should be tightly wrapped around, or a house wire (green or bare copper wire without insulation).
3. Twist the bare ends of the following pairs of wires together using a wire nut to secure a connection:
 - a) White fixture wire to neutral power line wire
 - b) Black fixture wire to hot power line wire
4. Align the key slots on the fixture base to the mounting plate screws, place the fixture base onto the mounting plate, and secure it by rotating it to the narrow portion of the keyed slot.
5. Screw the threaded nipple to the bottom of the fixture base.
6. Screw the lamps into the sockets. Refer to the label on the socket for Max Wattage Information.
7. Slip the shade through the threaded nipple and secure it in place by fastening it with the flat washer and hex nut.
8. Install the decorative cup to the bottom of the shade and secure it by tightening the finial.