

Elmwood Park 2 Light Flush Mount

7737302

1.0

GENERATION LIGHTING

GENERAL PRODUCT INFORMATION:

These fixtures are intended to be installed utilizing NEC compliant junction boxes.

This product is safety listed for damp locations.

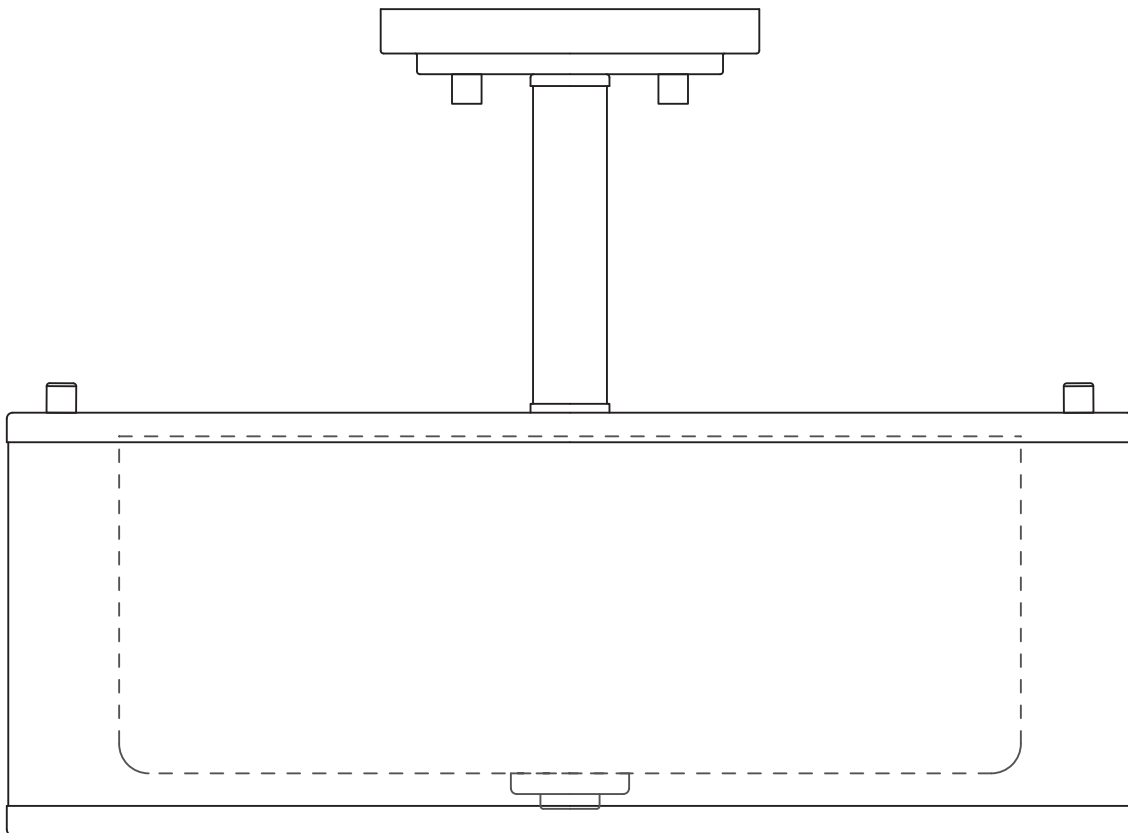
Incandescent version may be dimmed with a standard incandescent dimmer. LED version may be dimmed with a LED dimmer. Consult lamp manufacturer for additional information.

This instruction shows a typical installation.

CAUTION - RISK OF FIRE

This product must be installed in accordance with the applicable installation code by a person familiar with the construction and operation of the product and the hazards involved.

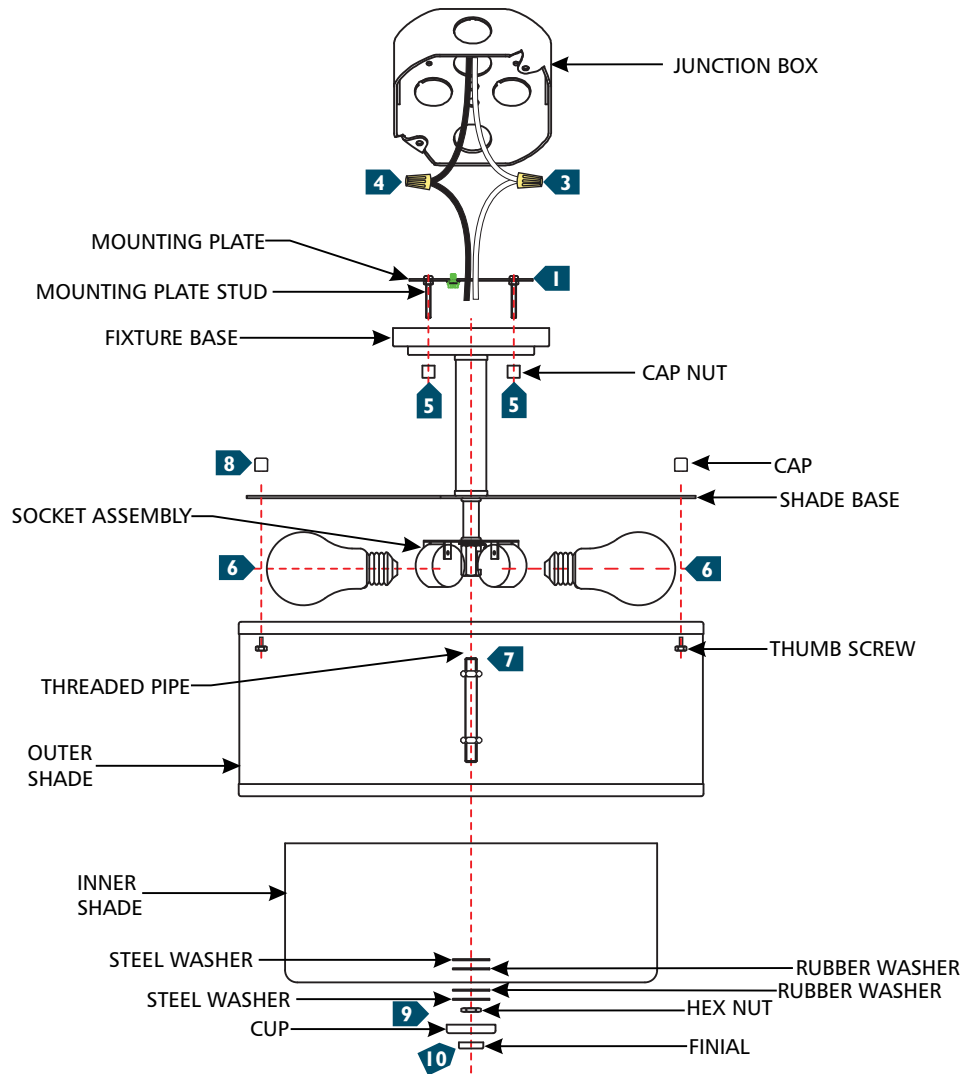
Use minimum 90°C supply conductors.



SAVE THESE INSTRUCTIONS!

Install the Fixture

IA



- 1** Secure the mounting plate to the junction box.
- 2** Connect the fixture to a suitable ground in accordance to local electrical codes.
- 3** Connect the white fixture wire to the neutral power line wire with a wire nut.
- 4** Connect the black fixture wire to the hot power line wire with a wire nut.
- 5** Place the fixture base onto the mounting plate studs and secure it in place by screwing the cap nuts onto the mounting plate studs.
- 6** Screw the lamps into the sockets. Refer to the label on the socket for Max Wattage Information.
- 7** Screw the threaded pipe to the bottom of the socket assembly.
- 8** Attach the outer shade to the shade base with the thumb screws and caps.
- 9** Place a steel washer, rubber washer, the shade, rubber washer, and steel washer (in that order) onto the threaded pipe, then secure them in place by screwing a hex nut onto the threaded pipe.
- 10** Place the cup onto the threaded pipe and secure it by screwing the finial onto the threaded pipe.