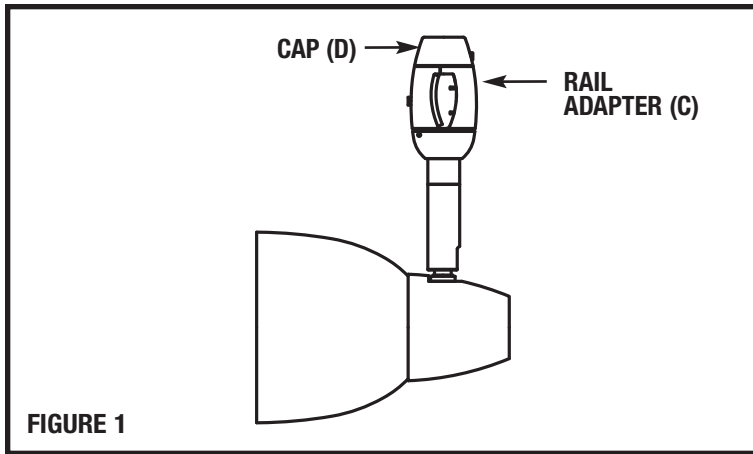


INSTALLATION AND SAFETY INSTRUCTIONS



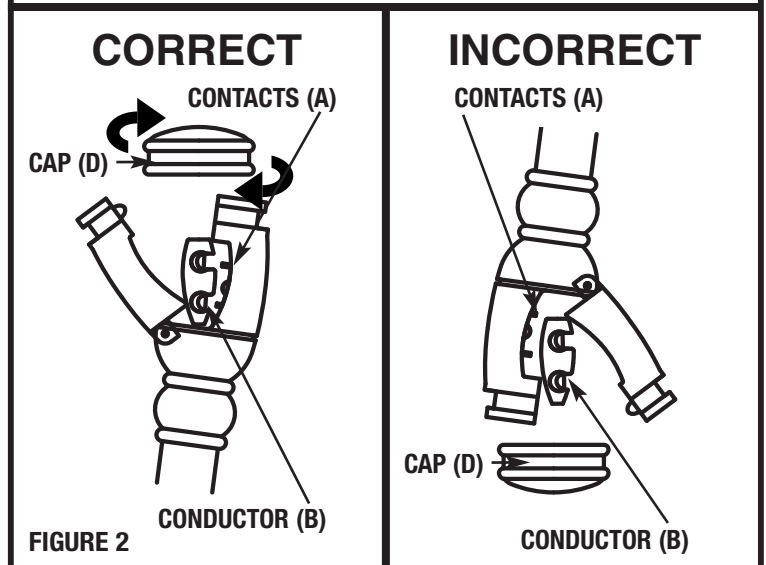
INSTALLATION (Refer to Figure 2)

1. Unthread cap (D) from rail adapter (C).
2. Making sure contacts (A) will align with conductors (B) on rail, set the bottom of the rail adapter (C) to the bottom of the rail and “roll” rail adapter (C) up onto the rail.
3. Close the hinged side of the rail adapter over the rail and secure fixture to rail by threading cap (D) back onto rail adapter (C).
4. Insert lamp into socket and thread supplied lamp enclosure over lamp onto socket.

IMPORTANT SAFETY INSTRUCTIONS

- Be sure the electricity to the system you are working on is turned off; either the fuse removed or the circuit breaker set at off.
- For use with the 120V Transitions track series by Sea Gull Lighting.
- Caution – To reduce the risk of burn during relamping remove from the track before relamping.
- Use of other manufacturers components will void warranty, listing, and create a potential safety hazard.
- If you are unclear as to how to proceed, contact a qualified electrician.
- Minimum distance from the front of the lamp to combustible surfaces is 8".
- Make sure all connections are tight.
- Dimming halogen lamps greatly reduces lamp life.
- Turn off and allow to cool before replacing lamp.
- Lamp gets HOT quickly! Contact switch only when turning on.
- Do not touch hot lens, guard, or enclosure.
- Do not touch the lamp at any time. Use a soft cloth. Oil from skin may damage lamp.
- Do not operate the luminaire fitting with a missing or damaged shield.
- Save these instructions.

FIXTURE INSTALLATION



AMBIANCE®
LIGHTING SYSTEMS

LR-123

062308

www.SeaGullLighting.com