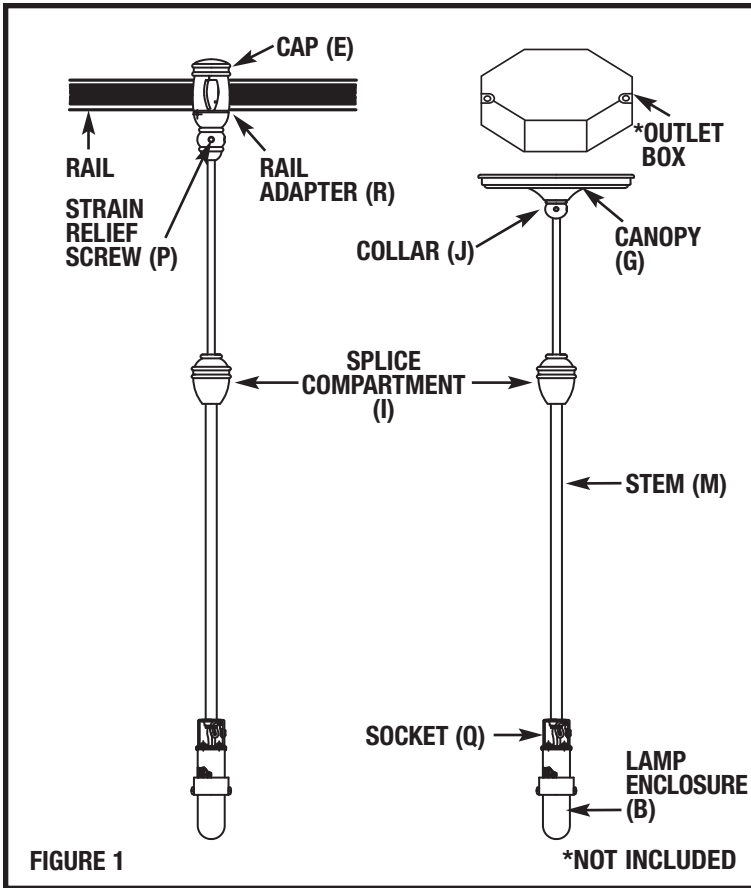
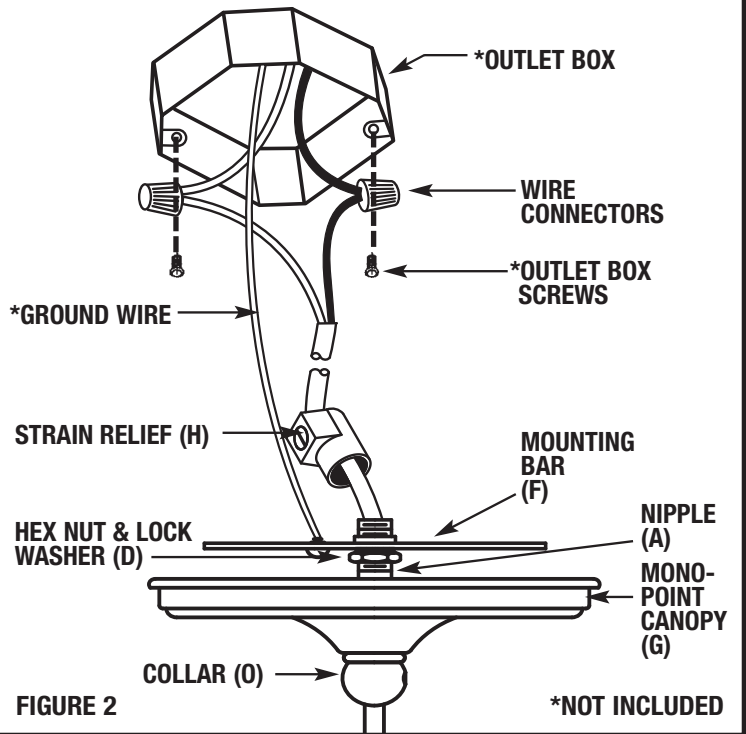


INSTALLATION AND SAFETY INSTRUCTIONS



GROUNDING AND MOUNTING BAR LOCK UP FOR OPTIONAL MONO-POINT CANOPY



IMPORTANT SAFETY INSTRUCTIONS

- Be sure the electricity to the system you are working on is turned off; either the fuse removed or the circuit breaker set at off.
- For use with the 120V Transitions track series by Sea Gull Lighting.
- Caution – To reduce the risk of burn during relamping remove from the track before relamping.
- If you are unclear as to how to proceed, contact a qualified electrician.
- Minimum distance from the front of the lamp to combustible surfaces is 8".
- Make sure all connections are tight.
- Dimming halogen lamps greatly reduces lamp life.
- To reduce the risk of a burn during relamping, remove from the track before relamping.
- Turn off and allow to cool before replacing lamp.
- Lamp gets HOT quickly! Contact switch only when turning on.
- Do not touch hot lens, guard, or enclosure.
- Keep lamp away from materials that may burn.
- Do not touch the lamp at any time. Use a soft cloth. Oil from skin may damage lamp.
- Do not operate the luminaire fitting with a missing or damaged shield.
- Save these instructions.

NOTE: This pendant can be hung either from a Transitions Series rail (not supplied) or from the supplied canopy. Follow the instructions for the appropriate mounting method.



AMBIANCE®
LIGHTING SYSTEMS

LR-120

062308

www.SeaGullLighting.com

ASSEMBLING PENDANT/SHORTENING PENDANT LR-120

1. Determine length of pendant and shorten cable from the splice compartment (I). Be sure to add 5" for electrical connections when installing as a mono-point.
2. Unthread splice compartment (I). Carefully remove wire connections located in the splice compartment (I). Unthread bottom half of splice compartment (I) and remove from stem (M). Install optional shade (not supplied) by following instructions supplied with shade.
3. Set top of splice compartment (I) and strain relief collar at desired location. **NOTE:** Strain relief collar is threaded and should be threaded up and down cable. Be sure 1/4" of cable jacket is protruding out of strain relief collar. Secure in place by tightening the two set screws.
4. Make connections between socket leads and pendant cable using wire nuts inside the splice compartment:
 - a. Black to Black
 - b. White to White
 - c. Ground to Ground

Make sure no wires are left exposed and carefully tuck wire nuts into bottom half of splice compartment (I).
5. Close splice compartment (I) by threading the two halves together.
6. Install lamp and lamp enclosure (B) to socket.

FOR MONO-POINT INSTALLATION – (Fig.2)

1. Remove rail adapter (R) by cutting wire just below rail adapter (R).
2. Slide collar (O), canopy (G), mounting bar (F), nipple (A), hex nut and lock washer (D), over wire to the top of the splice compartment (I) (in that order).
3. Install strain relief (H) to wire. Tighten set screw with a flat head screwdriver.
4. Secure mounting bar (F) to outlet box with outlet box screws (not supplied).
5. Make electrical connections using wire nuts or other UL listed device. Be sure that no wires are left exposed.
 - a. House Black to Fixture Black
 - b. House White to Fixture White

Wrap fixture ground wire and house ground wire around the green grounding screw located on the mounting bar (F). Secure by tightening the green grounding screw. Carefully tuck wires into outlet box.
6. Raise canopy (G) against ceiling and secure by threading collar (O) to threaded nipple (A).

ATTACH PENDANT TO RAIL – (Fig. 3)

1. Unthread cap (E) from rail adapter (R).
2. Making sure contacts (K) will align with conductors (L) on rail, set the bottom of the the rail adapter (R) to the bottom of the rail and “roll” rail adapter (R) up onto the rail.
3. Install fixture to rail by closing rail adapter (R) over rail. Replace cap (E) over top of rail adapter (R) and thread cap (E) back onto rail adapter (R).
4. Tighten strain relief screw (P) located just below rail adapter (R).

