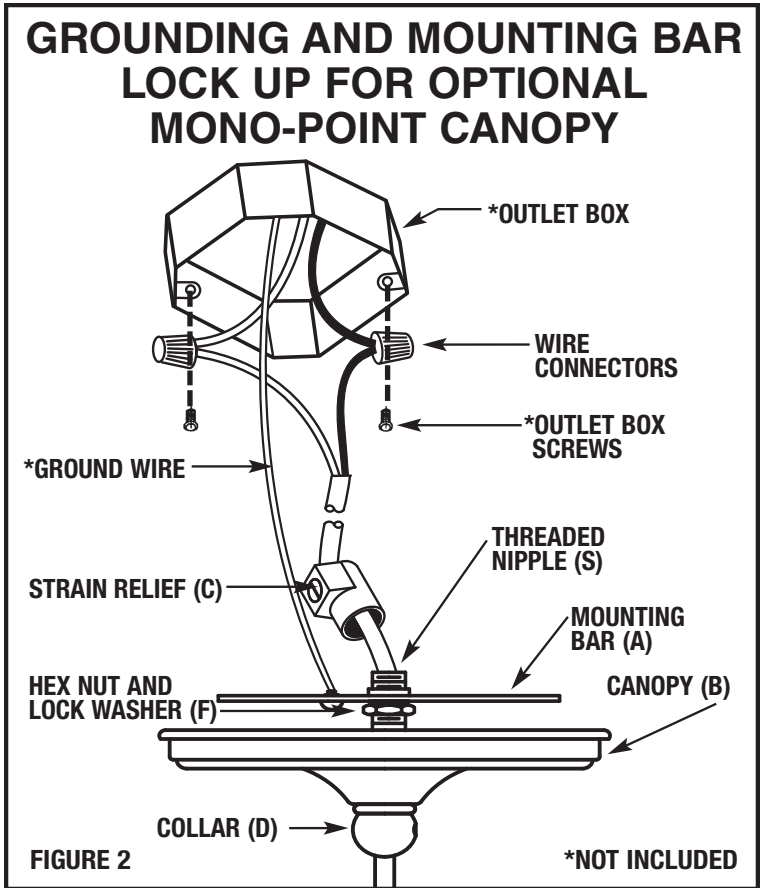
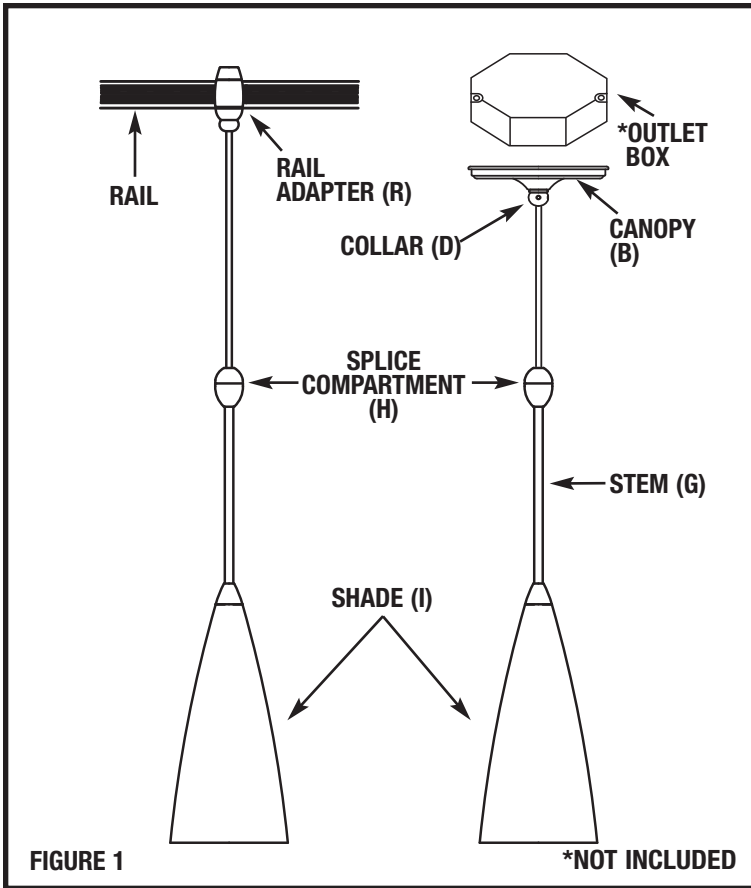


INSTALLATION AND SAFETY INSTRUCTIONS



IMPORTANT SAFETY INSTRUCTIONS

- Be sure the electricity to the system you are working on is turned off; either the fuse removed or the circuit breaker set at off.
- For use with the 120V Transitions track series by Sea Gull Lighting.
- Caution – To reduce the risk of burn during relamping remove from the track before relamping.
- If you are unclear as to how to proceed, contact a qualified electrician.
- Minimum distance from the front of the lamp to combustible surfaces is 8".
- Make sure all connections are tight.
- Dimming halogen lamps greatly reduces lamp life.
- Turn off and allow to cool before replacing lamp.
- Lamp gets HOT quickly! Contact switch only when turning on.
- Do not touch hot lens, guard, or enclosure.
- Do not touch the lamp at any time. Use a soft cloth. Oil from skin may damage lamp.
- Do not operate the luminaire fitting with a missing or damaged shield.
- Save these instructions.

NOTE: This pendant can be hung either from a Transitions Series rail (not supplied) or from the supplied canopy. Follow the instructions for the appropriate mounting method.



AMBIANCE[®]
LIGHTING SYSTEMS

LR-119

062408

www.SeaGullLighting.com

ASSEMBLING PENDANT/SHORTENING PENDANT (Fig. 1 & 4) LR-119

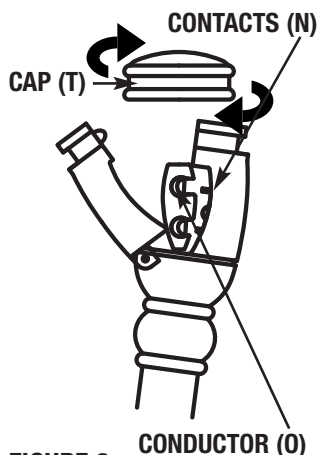
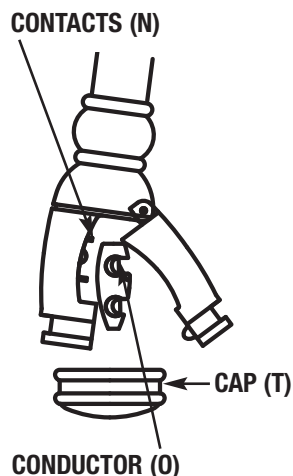
1. Determine length of pendant and shorten cable. When installing as a mono-point be sure to add 5" length for electrical connections.
2. Unthread splice compartment (H) and remove from pendant.
3. Using supplied allen wrench, loosen set screws in glass support (Y) and set it along the stem (G) to determine where shade (I) will hang. Tighten set screws of glass support at desired location.
4. Set top half of splice compartment (H) and strain relief collar at new location on cable. **NOTE** Strain relief collar is threaded and should be threaded up and down cable. Be sure 1/4" of cable jacket is protruding out of strain relief collar. Secure in place by tightening the two set screws.
5. Make connections between socket leads and pendant cable using wire nuts inside the splice compartment (H) – Black to Black/White to White/Ground to Ground. Make sure no wires are left exposed and carefully tuck wire nuts into bottom half of splice compartment (H).
6. Close splice compartment (H) by threading the two halves together.
7. Install lamp. Secure lamp enclosure (J) by placing over socket springs (K).

FOR MONO-POINT INSTALLATION (Fig. 2)

1. Remove rail adapter (R) by cutting wire just below rail adapter (R).
2. Slide collar (D), canopy (B), mounting bar (A), hex nut and lockwasher (F), and nipple (S) over wire to top of splice compartment (H).
3. Install strain relief (C). Tighten strain relief set screws with a flat head screwdriver.
4. Attach mounting bar (A) to outlet box using outlet box screws (not supplied).
5. Make electrical connections using wire nuts or other UL listed device:
 - a. House Black to Fixture Black
 - b. House White to Fixture White
 Take house ground wire and fixture ground wire and wrap around the green grounding screw located on the mounting bar (A). Secure by tightening the green grounding screw. Make sure no wires are left exposed and tuck wires into outlet box.
6. Raise canopy (B) to cover outlet box and thread collar (D) to nipple (S).

ATTACH PENDANT TO RAIL (Fig. 3)

1. Unthread cap (T) from rail adapter (R).
2. Making sure contacts (N) will align with conductors (O) on rail, set the bottom of the rail adapter (R) to the bottom of the rail and "roll" rail adapter (R) up onto the rail.
3. Install fixture to rail by closing rail adapter (R) over rail. Replace cap (T) over top of rail adapter (R) and thread cap (T) back onto rail adapter (R).

FIXTURE INSTALLATION**CORRECT****FIGURE 3****INCORRECT**GLASS
SUPPORT (Y)SOCKET
SPRINGS (K)LAMP
ENCLOSURE (J)

SOCKET (U)

FIGURE 4