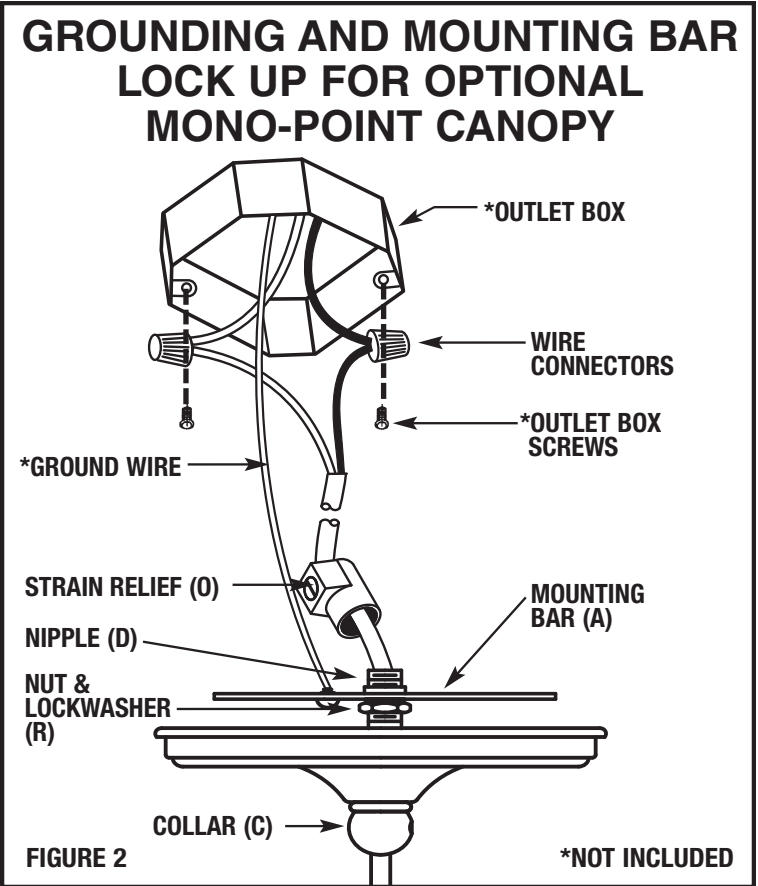
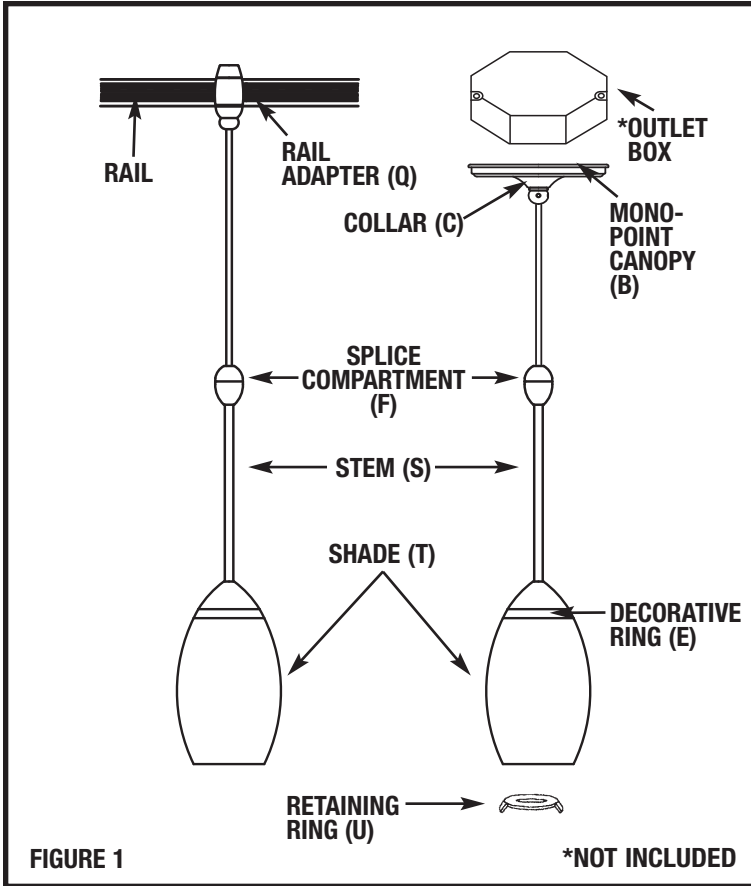


# INSTALLATION AND SAFETY INSTRUCTIONS



## IMPORTANT SAFETY INSTRUCTIONS

- Be sure the electricity to the system you are working on is turned off; either the fuse removed or the circuit breaker set at off.
- Use of other manufacturers components will void warranty, listing and create a potential safety hazard.
- For use with the 120V Transitions track series by Sea Gull Lighting.
- Caution – To reduce the risk of burn during relamping remove from the track before relamping.
- Minimum distance from the front of the lamp to combustible surfaces is 8".
- Make sure all connections are tight.
- Dimming halogen lamps greatly reduces lamp life.
- To reduce the risk of FIRE or INJURY TO PERSONS: Turn off and allow to cool before replacing lamp.
- Lamp gets HOT quickly! Contact switch only when turning on.
- Do not touch hot lens, guard, or enclosure.
- Keep lamp away from materials that may burn.
- Do not touch the lamp at any time. Use a soft cloth. Oil from skin may damage lamp.
- Do not operate the luminaire fitting with a missing or damaged shield.
- Save these instructions.

**NOTE:** This pendant can be hung either from a Transitions Series rail (not supplied) or from the supplied canopy. Follow the instructions for the appropriate mounting method.



**AMBIANCE**<sup>®</sup>  
LIGHTING SYSTEMS

**LR-117**

**062308**

[www.SeaGullLighting.com](http://www.SeaGullLighting.com)

1. Determine length of pendant and shorten cable. Be sure to add 5" for electrical connections when installing as a mono-point.
2. Unthread splice compartment (F). Remove wiring connections and unthread top portion of splice compartment (F) from pendant.
3. Set strain relief collar and top of splice compartment at desired location on cut cable. **NOTE:** Strain relief collar is threaded and should be threaded up and down cable. Be sure 1/4" of cable jacket is protruding out of strain relief collar. Secure in place by tightening the two set screws.
4. Use supplied allen wrench to set glass support at desired location on stem (S). Thread glass retaining ring (U) onto glass support in order to secure decorative ring (E) and shade (T).
5. Make connections between socket leads and pendant cable using wire nuts inside the splice compartment (F) – Black to Black/White to White/Ground to Ground. Make sure no wires are left exposed and carefully tuck wire nuts into bottom half of splice compartment (F).
6. Close splice compartment (F) by threading the two halves together.
7. Install lamp. Thread supplied lamp enclosure over lamp.

**FOR MONO-POINT INSTALLATION (Fig. 2)**

1. Remove rail adapter (Q) by cutting wire below rail adapter (Q).
2. Slide collar (C), canopy (B), nut and lockwasher (R), mounting bar (A) and nipple (D) over wire.
3. Install strain relief (O). Tighten strain relief set screw with a flat head screw driver.
4. Attach mounting bar (A) to outlet box using outlet box screws (not supplied).
5. Make electrical connections using wire nuts of other UL listed device:
  - a. House Black to Fixture Black
  - b. House White to Fixture White
 Take house ground wire and fixture ground wire and wrap around the green grounding screw located on the mounting bar (A). Secure by tightening the green grounding screw. Make sure no wires are left exposed and carefully tuck wires into outlet box.
6. Raise canopy (B) to cover outlet box and thread collar (C) to nipple (D) in order to secure.

**ATTACH PENDANT TO RAIL (Fig. 3)**

1. Unthread cap (I) from rail adapter (Q).
2. Making sure contacts (G) will align with conductors (H) on rail, set the bottom of the rail adapter (Q) to the bottom of the rail and "roll" rail adapter (Q) up onto the rail.
3. Close hinged door of rail adapter (Q) up onto rail. Thread cap (I) back onto rail adapter (Q).

