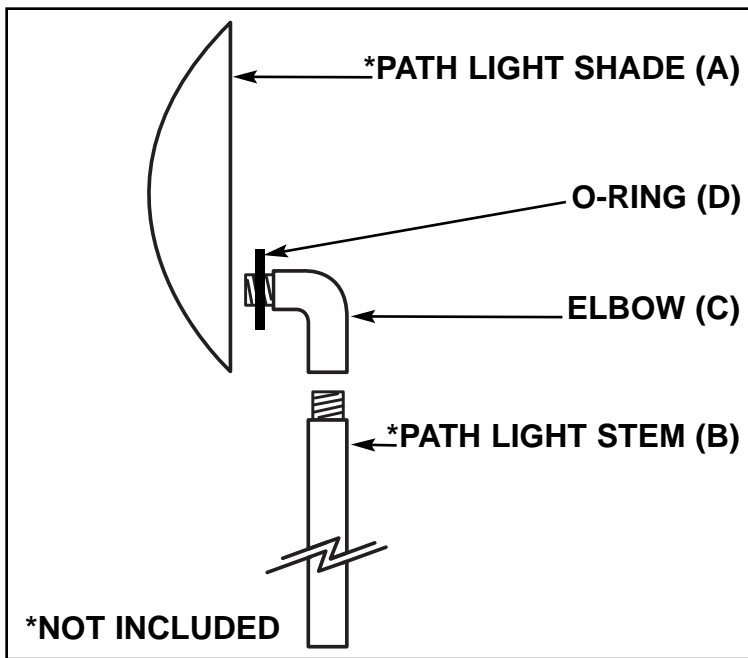


IMPORTANT SAFETY INSTRUCTIONS

HC-556



WARNING: BE SURE ELECTRICITY TO SYSTEM YOU ARE WORKING ON IS TURNED OFF; EITHER THE FUSE REMOVED OR THE CIRCUIT BREAKER SET AT OFF.

- 1) Unscrew path light shade (A) from stem (B), pull the socket wires out of stem (B).
- 2) Install O-ring (D) to elbow (C).
- 3) Feed the socket wires through elbow (C).
- 4) Thread elbow (C) to path light shade (A). Be sure shade ends up in a vertical position.
- 5) Feed the socket wires through stem (B).
- 6) Thread stem (B) to elbow (C).
- 7) Follow wiring instructions supplied with the path lights.



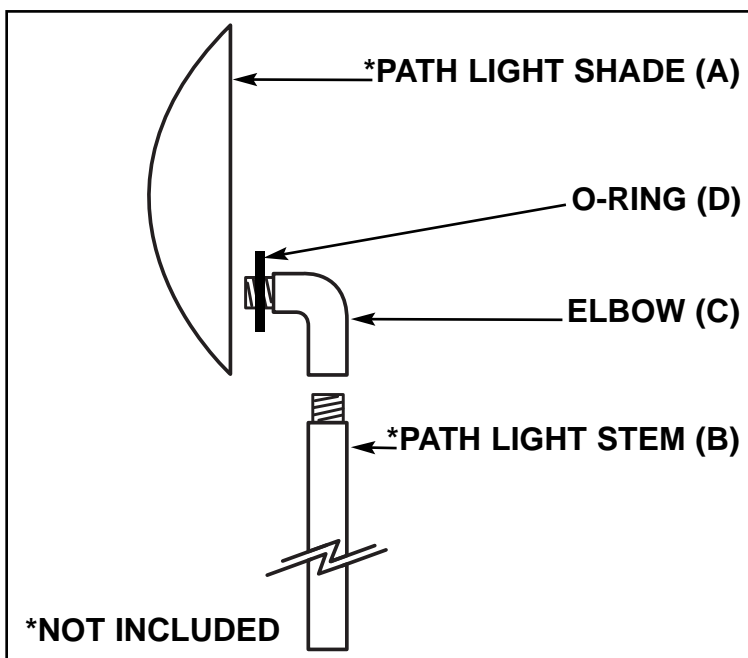
Installation And Safety Instruction

HC-556 032801

Line art shown may not exactly match the fixture enclosed. However, the installation instructions do apply to this fixture. Fill In Item Number On Carton And File This Sheet For Fixture Reference. ITEM# _____

IMPORTANT SAFETY INSTRUCTIONS

HC-556



WARNING: BE SURE ELECTRICITY TO SYSTEM YOU ARE WORKING ON IS TURNED OFF; EITHER THE FUSE REMOVED OR THE CIRCUIT BREAKER SET AT OFF.

- 1) Unscrew path light shade (A) from stem (B), pull the socket wires out of stem (B).
- 2) Install O-ring (D) to elbow (C).
- 3) Feed the socket wires through elbow (C).
- 4) Thread elbow (C) to path light shade (A). Be sure shade ends up in a vertical position.
- 5) Feed the socket wires through stem (B).
- 6) Thread stem (B) to elbow (C).
- 7) Follow wiring instructions supplied with the path lights.



Installation And Safety Instruction

HC-556 032801

Line art shown may not exactly match the fixture enclosed. However, the installation instructions do apply to this fixture. Fill In Item Number On Carton And File This Sheet For Fixture Reference. ITEM# _____