

INSTALLATION AND SAFETY INSTRUCTIONS

GENERAL

You don't need special tools to install this fixture. Be sure to follow the steps in the order given. Under no circumstances should a fixture be hung on house electrical wires, nor should a swag type fixture be installed on a ceiling which contains a radiant type heating system. NOTE: Proper wiring is essential for the safe operation of this fixture. Read instructions carefully. **If you are unclear as to how to proceed, consult a qualified electrician.**

WARNING: BE SURE THE ELECTRICITY TO THE WIRES YOU ARE WORKING ON IS SHUT OFF. EITHER THE FUSE REMOVED OR THE CIRCUIT BREAKER OFF.

NOTE: These fixtures are equipped with a Hi/Low switch. Dimming these fixtures are not recommended.

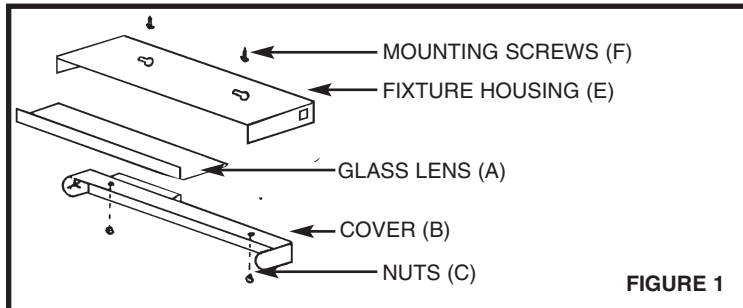


FIGURE 1

WARNING: FOR FIXTURES PROVIDED WITH 75° C OR 90° C SUPPLY WIRE WARNING ONLY (THESE WARNINGS ARE PROVIDED ON THE U.L. LABEL AND ON THE FIXTURE CARTON).

WARNING: RISK OF FIRE. MOST DWELLINGS BUILT BEFORE 1985 HAVE SUPPLY WIRE RATED 60° C. CONSULT A QUALIFIED ELECTRICIAN BEFORE INSTALLING.

CAUTION

1. "CAUTION-RISK OF FIRE OR ELECTRICAL SHOCK,CONNECT ONLY TO OTHER LIGHTS. DO NOT EXCEED 6 UNITS OR 240 WATTS MAXIMUM."
2. BULB GETS HOT QUICKLY! TURN OFF AND ALLOW TO COOL BEFORE REPLACING BULB, OR INSTALLING OR REMOVING SPRING.
3. DO NOT LOOK DIRECTLY AT LIGHTED BULB.
4. "WARNING - RISK OF FIRE."
 - FOR FIXTURES: 9818, 9819 & 9820: USE 12 VOLT T5 WEDGE BASE 18W MAX XENON LIGHT BULB (#9774).
 - FOR FIXTURES: 9821, 9822 & 9823: USE 120v T4 G-8 HALOGEN 35 WATT MAX. LIGHT BULB (# 9734-32).
5. BE SURE THERE IS 12" OF SPACE AROUND EACH SIDE OF THE FIXTURE TO DISSIPATE HEAT.

INSTALLATION

Carefully remove the fixture from the carton and check that all parts are included, as shown in Figure 1. Be careful not to misplace any of the screws or parts which are needed to install this fixture.

STEP 1:

Remove glass lens (A). Remove cover (B) by taking off the (2) nuts (C) at each end of the fixture.

STEP 2:

NOTE: Undercabinet Mount Only.

Mount fixture housing in desired location using mounting screws (F).

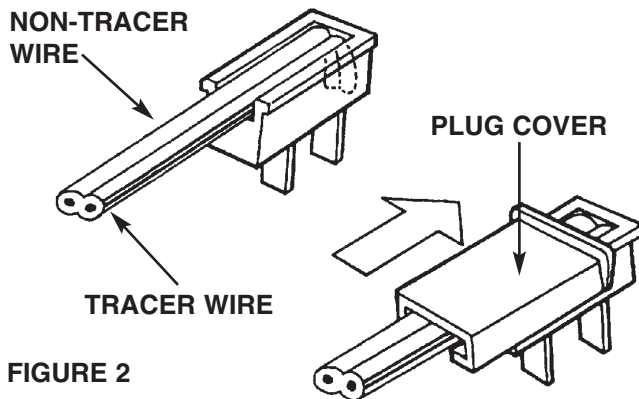


FIGURE 2

CORD AND PLUG INSTALLATION (FIGURE 2)

NOTE:The tracer wire is square shaped or ridged, and the less tracer wire is round in shape or smooth (seen best when viewed from wire end).

INSTALLATION OF PLUG

1. Determine cord length.
2. Cut off end of cord cleanly and evenly. **CAUTION: Do not separate wires. Do not remove or damage insulation.**
3. Press cord, with ridged side to the right, down and into front of plug.
4. Press cord down onto metal prongs.
5. Slide plug cover over cord and plug until plug cover is centered over plug.

FINAL ASSEMBLY

STEP 1:

After wires are connected, replace cover (B). Secure with nuts (C).

STEP 2:

Install lamp(s).

STEP 3:

Install glass lens (A).

STEP 4:

Plug in fixture.

IMPORTANT SAFETY INSTRUCTIONS

THIS FIXTURE HAS A POLARIZED PLUG (ONE BLADE IS WIDER THAN THE OTHER). AS A SAFETY FEATURE, THIS PLUG WILL FIT IN A POLARIZED OUTLET ONLY ONE WAY. IF THE PLUG DOES NOT FIT FULLY IN THE OUTLET REVERSE THE PLUG. IF IT STILL DOES NOT FIT, CONTACT A QUALIFIED ELECTRICIAN. NEVER USE WITH AN EXTENSION CORD UNLESS PLUG CAN BE FULLY INSERTED. DO NOT ATTEMPT TO DEFEAT THIS SAFETY FEATURE.



sea gull lighting

Installation And Safety Instruction

HC-529

022003

Line art shown may not exactly match the fixture enclosed. However, the installation instructions do apply to this fixture.

Fill In Item Number On Carton And

File This Sheet For Fixture Reference. ITEM# _____