

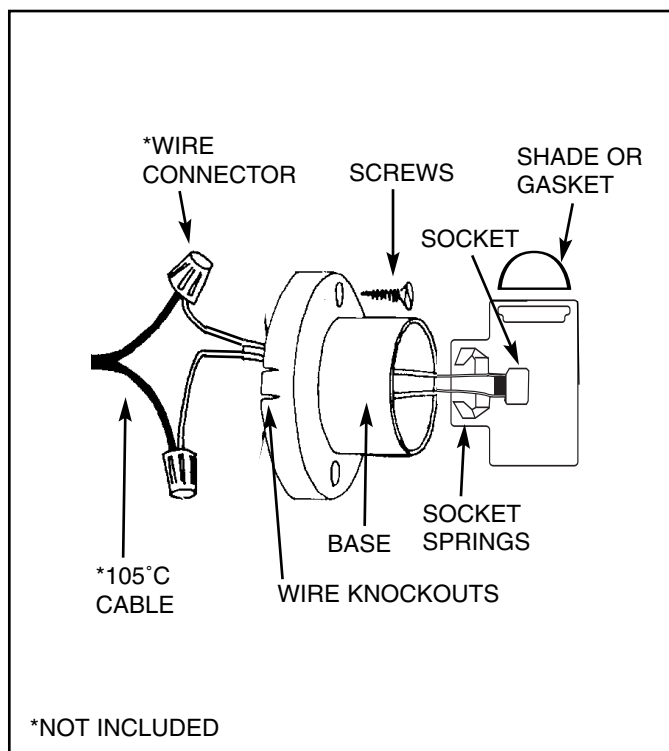
INSTALLATION AND SAFETY INSTRUCTIONS 123005 HC-484

INSTRUCTIONS OF ASSEMBLY AND INSTALLATION OF THE AMBIANCE LANDSCAPE.

Read and understand these instructions before installing fixture.

This fixture must be installed outdoors in accordance with the National Electrical Code and local regulations. Retain these instructions supplied with transformer for cable connection.

1. Break off one or two wireway knockouts on base, if desired.
2. Attach a length of 12v 105°c cable from the low voltage transformer to socket with wire connector and attach cable to supply cable with (9380 *not supplied*) connector or attach one or two supply cables to socket with wire connector (*not supplied*).
3. Depress springs on socket and snap into bottom of base, allowing socket to protrude through top.
4. Install lamp.
5. Install T-Arm onto base.
6. Install optional cap or gasket onto T-Arm.
7. Secure base to surface with screws



INSTALLATION AND SAFETY INSTRUCTIONS 123005 HC-484

INSTRUCTIONS OF ASSEMBLY AND INSTALLATION OF THE AMBIANCE LANDSCAPE.

Read and understand these instructions before installing fixture.

This fixture must be installed outdoors in accordance with the National Electrical Code and local regulations. Retain these instructions supplied with transformer for cable connection.

1. Break off one or two wireway knockouts on base, if desired.
2. Attach a length of 12v 105°c cable from the low voltage transformer to socket with wire connector and attach cable to supply cable with (9380 *not supplied*) connector or attach one or two supply cables to socket with wire connector (*not supplied*).
3. Depress springs on socket and snap into bottom of base, allowing socket to protrude through top.
4. Install lamp.
5. Install T-Arm onto base.
6. Install optional cap or gasket onto T-Arm.
7. Secure base to surface with screws

