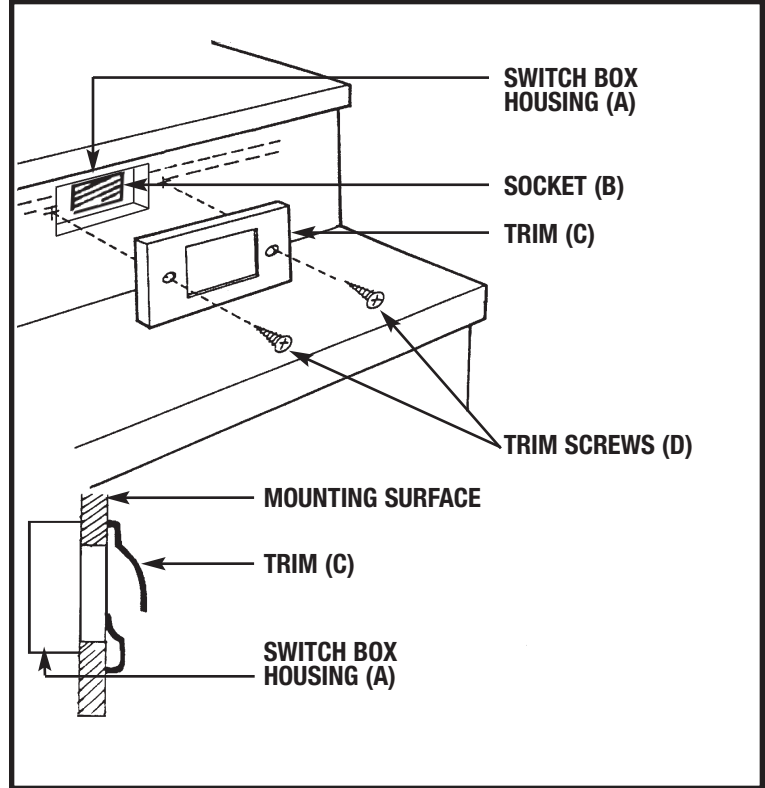


IMPORTANT SAFETY INSTRUCTIONS

- Be sure the electricity to the system you are working on is turned off; either the fuse removed or the circuit breaker set at off.
- Use of other manufacturers components will void warranty, listing and create a potential safety hazard.
- Read and understand these instructions before installing fixture.
- This fixture must be installed outdoors in accordance with the National Electrical Code and local regulations.
- Retain these instructions along with instructions supplied with transformer for cable connection.
- **WARNING: RISK OF ELECTRIC SHOCK** – Install all luminaires 10' (3.05M) or more from a pool, spa, or fountain.
- The main low voltage cable is intended for shallow burial—less than 6" (152mm).
- Save these instructions.

INSTALLATION

1. Remove trim (C) from switch box housing by loosening trim screws (D).
2. Remove applicable knock-out from switch box housing.
3. Install listed romex style strain relief (not supplied) to switch box housing.
4. Feed low voltage fixture cable through strain relief.
5. Secure strain relief.
6. Attach fixture cable to main supply cable with silicone filled wire nuts (not included) or other UL listed device.
7. Install switch box housing (A) into mounting surface.
8. Install lamp.
9. Reinstall trim (C) with trim screws (D).



IMPORTANT SAFETY INSTRUCTIONS

- Be sure the electricity to the system you are working on is turned off; either the fuse removed or the circuit breaker set at off.
- Use of other manufacturers components will void warranty, listing and create a potential safety hazard.
- Read and understand these instructions before installing fixture.
- This fixture must be installed outdoors in accordance with the National Electrical Code and local regulations.
- Retain these instructions along with instructions supplied with transformer for cable connection.
- **WARNING: RISK OF ELECTRIC SHOCK** – Install all luminaires 10' (3.05M) or more from a pool, spa, or fountain.
- The main low voltage cable is intended for shallow burial—less than 6" (152mm).
- Save these instructions.

INSTALLATION

1. Remove trim (C) from switch box housing by loosening trim screws (D).
2. Remove applicable knock-out from switch box housing.
3. Install listed romex style strain relief (not supplied) to switch box housing.
4. Feed low voltage fixture cable through strain relief.
5. Secure strain relief.
6. Attach fixture cable to main supply cable with silicone filled wire nuts (not included) or other UL listed device.
7. Install switch box housing (A) into mounting surface.
8. Install lamp.
9. Reinstall trim (C) with trim screws (D).

