

## IMPORTANT SAFETY INSTRUCTIONS

- Be sure the electricity to the system you are working on is turned off; either the fuse removed or the circuit breaker set at off.
- Use of other manufacturers components will void warranty, listing and create a potential safety hazard.
- If you are unclear as to how to proceed, contact a qualified electrician.
- You don't need special tools to install this fixture.
- Be sure to follow the steps in the order given.
- Under no circumstances should a fixture be hung on house electrical wires, nor should a swag type fixture be installed on a ceiling which contains a radiant type heating system.
- Read instructions carefully.
- Save these instructions.

## CLEANING

To clean, wipe fixture with a soft cloth. Clean glass with a mild soap. Do not use abrasive materials such as scouring pads or powders, steel wool or abrasive paper.

## ORDERING PARTS

Keep this sheet for future reference, and in case you need to order replacement parts. Parts for this fixture can be ordered from place of purchase. Be sure to use exact wording from illustration when ordering parts.

## BEFORE YOU BEGIN

Carefully remove the fixture from the carton and check that all parts are included, as shown in Figure 1, 2, & 3. Be careful not to misplace any of the screws or parts which are needed to install this fixture.

## FOR CHAIN HUNG (FIG. 1)

### STEP 1:

(MAY ALREADY BE FACTORY INSTALLED) Feed fixture wires from center pipe bottom rod (T), center coupling (XX), and center pipe top rod (ZZ) through: swivel (U), small nipple (I), small canopy (V), lock washer (W), ground wire (E), lock washer (W), hickey (J) and plate (X), in that order (if applicable). Secure in place with fixture loop (K).

### STEP 2:

(MAY ALREADY BE FACTORY INSTALLED) Insert small loop (L) through small canopy (V). On small loop (L), place lock washer (W) and secure in place with nut (MM).

## FOR FLUSH MOUNT

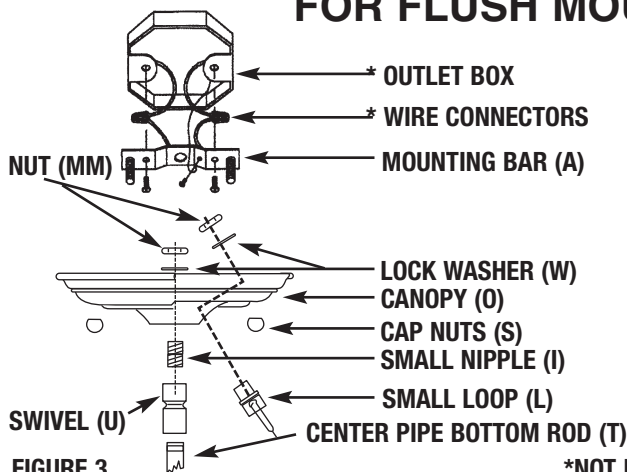


FIGURE 3

\*NOT INCLUDED

## SMALL CANOPY ASSEMBLY

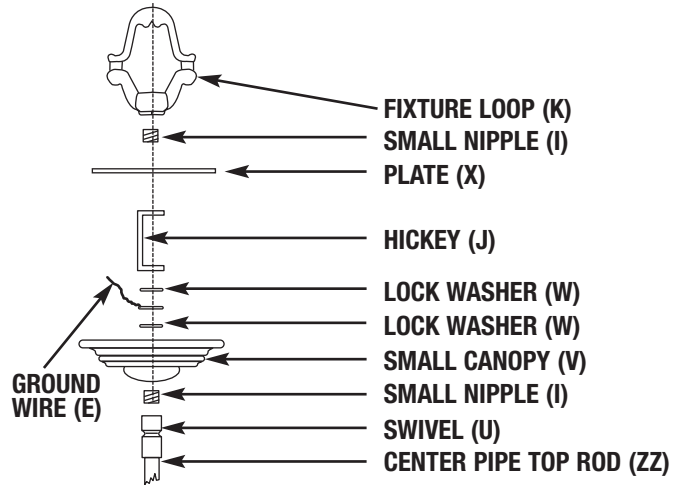


FIGURE 1

\*NOT INCLUDED

## FOR CHAIN HUNG

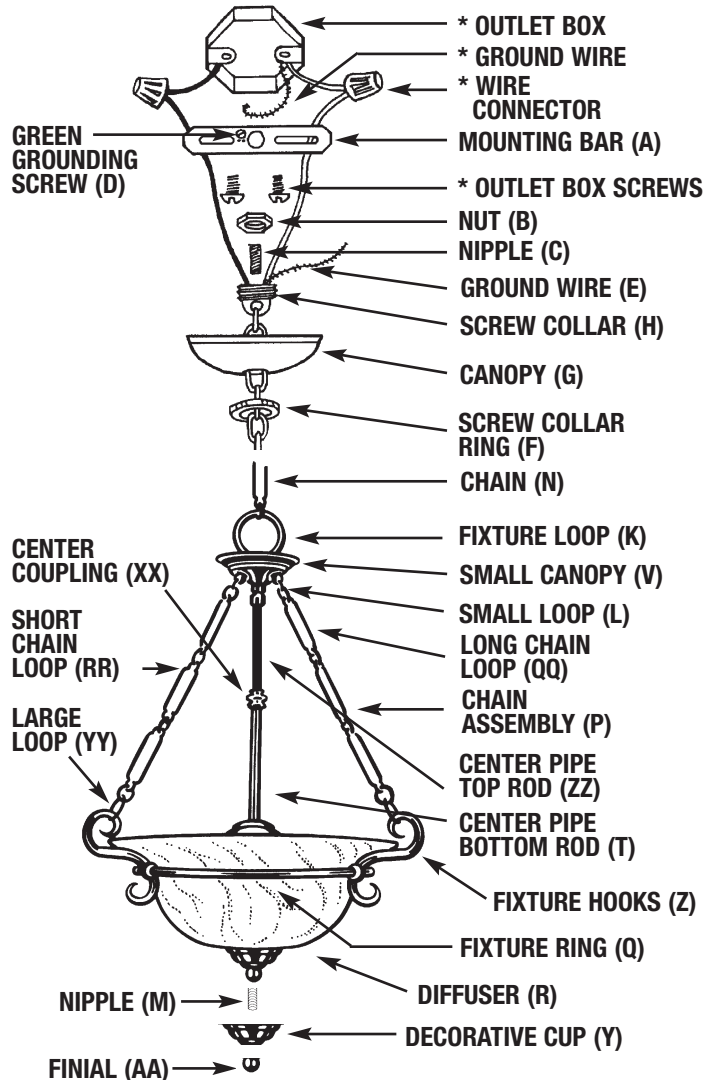


FIGURE 2

\*NOT INCLUDED

## FOR FLUSH MOUNT (IF APPLICABLE) (FIG. 3) HC-359

**NOTE:** If fixture is pre-assembled for chain hanging, and you wish to flush mount it, first take apart the chain hung assembly, by removing parts as noted in step 1 and step 2 of assembly for chain hung.

### STEP 1:

**(MAY ALREADY BE FACTORY INSTALLED)** Feed fixture wires from center pipe bottom rod (T) through: swivel (U), small nipple (I), canopy (O) and lock washer (w), in that order (if applicable). Secure in place with nut (MM).

### STEP 2:

Using two pair of pliers open and remove one short chain loop (RR) and one long chain loop (QQ) from chain assembly (P).

### STEP 3:

**(MAY ALREADY BE FACTORY INSTALLED)** Insert small loop (L) through canopy (O). On small loop (L), place lock washer (W) and secure in place with nut (MM).

## INSTALLATION

**IMPORTANT: DO NOT ATTACH FIXTURE DIRECTLY TO OUTLET BOX.**

### FOR CHAIN HUNG (FIGURES 1 & 2)

1. Secure mounting bar (A) to outlet box with outlet box screws (not supplied). Thread nut (B) on nipple (C) so that 3 threads are exposed above nut (B). Thread nipple (C) into mounting bar (A) and secure with nut (B). Attach screw collar (H) to nipple (C).
2. Using 2 pairs of pliers, open one link of chain (N) and connect it to the fixture loop (K) at the top of the fixture.
3. Slide the screw collar ring (F) and canopy (G), in that order, over chain (N). Open one link on the other end of the chain (N) and attach it to the screw collar (H) which has been mounted to the ceiling nipple (C).  
**BE SURE TO CLOSE ALL CHAIN LINKS COMPLETELY.**
4. Lace wires up through chain (N) and pass wires through holes in screw collar (H). We recommend lacing wire up through every other link of chain (N).

### FOR FLUSH MOUNT (FIGURE 3 & 4)

1. Thread fixture mounting screws (BB) in through top of mounting bar (A) (raised side is on top, as illustrated). Run screw threads (BB) all the way down to the heads. Secure mounting bar (A) to outlet box with outlet box screws (not supplied).

## WIRING

- A. Use a listed wire connector to connect the fixture hot wire (black wire, or round and smooth tracer) to the supply hot wire.
  - B. Use a listed wire connector to connect the fixture common wire (white wire, or square and rigid) to the supply common wire.
  - C. Gently try to remove the wires from the connector. If you can remove the wires, carefully re-do the wiring connection.
2. **GROUNDING INSTRUCTIONS:** The green grounding screw (D) is to be inserted into the hole with two raised dimples provided on the mounting bar (A). Wrap the ground wire (E) from the fixture (if supplied) and the ground wire from the outlet box (bare metal or green insulated wire) around the green grounding screw (D) on the mounting bar (A) if uninsulated wire is on the mounting bar (A), connect the ground wire (E) from the fixture (if supplied) and the outlet box to it using a small wire connector (not supplied). **NEVER CONNECT GROUND WIRE TO BLACK OR WHITE POWER SUPPLY WIRES.**

## GROUNDING AND MOUNTING BAR LOCK UP

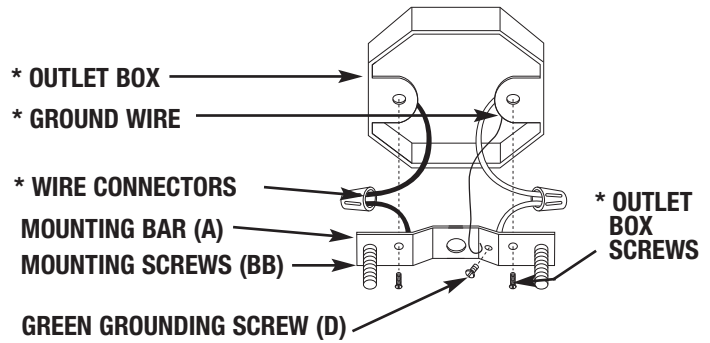


FIGURE 4

\*NOT INCLUDED

## FINAL ASSEMBLY

Make sure no bare wires can be seen outside wire connectors.

### FOR CHAIN HUNG (FIGURE 2)

1. After wires are connected, tuck them carefully inside outlet box and then raise the small canopy (V) against ceiling and screw the screw collar ring (F) to the screw collar (H).

### FOR SEMI-FLUSH MOUNT

1. Remove fixture loop and top plate. Disconnect wire nuts and remove hickey and nut. Replace canopy with semiflush canopy. Attach fixture wires to house supply.

### FOR FLUSH MOUNT (FIGURE 3)

1. After wires are connected, tuck them carefully inside outlet box. Raise the canopy (O) to the ceiling allowing for mounting screws (BB) to protrude through holes in canopy (O). Secure in place with cap nuts (S).

## FINAL INSTALLATION

### STEP 1:

Insert diffuser (R) through fixture ring (Q).

### STEP 2:

Insert short chain (P) through fixture hook (Z).

### STEP 3:

Insert lamp(s).

### STEP 4:

Insert nipple assembly (M) through diffuser (R). Insert decorative cup (Y) through nipple (M), secure with finial (AA).