

FOR YOUR SAFETY

Install according to all National and Local Codes. If you are uncertain about how to proceed, contact a qualified electrician.

WARNING: BE SURE ELECTRICITY TO SYSTEM YOU ARE WORKING ON IS TURNED OFF; EITHER THE FUSE REMOVED OR THE CIRCUIT BREAKER SET AT OFF.

WARNING: RISK OF FIRE. DO NOT INSTALL INSULATION WITHIN 3 INCHES OF FIXTURE SIDES OR WIRING COMPARTMENT, NOR ABOVE FIXTURE IN SUCH A MANNER TO ENTRAP HEAT.

INSTALLATION INSTRUCTIONS

For 9409, 9412, 9413, 9416 Mini-Recessed Non-IC Housing

ASSEMBLY

1. Rotate clip for various material thicknesses (see Fig. 3).

CAUTION: RISK OR FIRE. USE ONLY 12V LAMPS WITH 12V SYSTEMS. USE OF 12V LAMPS WITH 24V SYSTEM MAY RESULT IN DAMAGE TO SYSTEM AND SURROUNDING AREA.

NOTE: BE SURE NOT TO EXCEED THE MAXIMUM ALLOWABLE AMPERAGE ON THE WIRE. TO MAXIMIZE VOLTAGE DROP WHEN USING 14/2 IN AND OUT, IT IS RECOMMENDED TO HAVE MULTIPLE RUNS FROM THE TRANSFORMER TO NO MORE THAN 3 FIXTURES PER RUN.

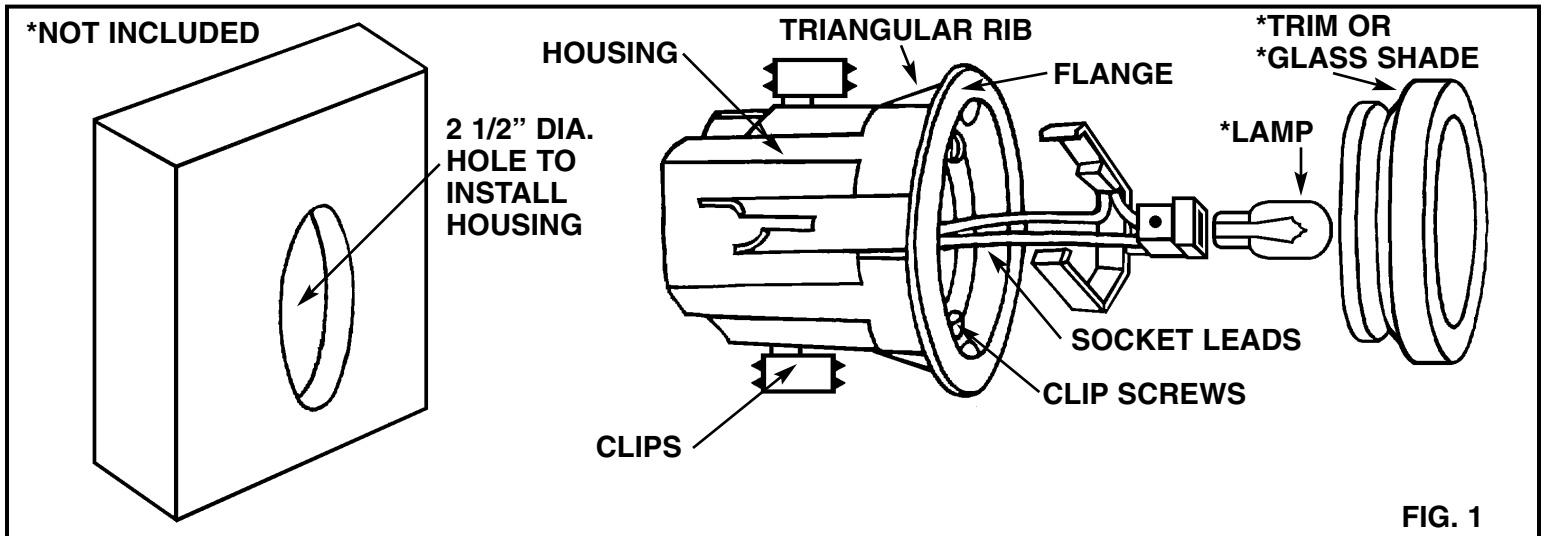


FIG. 1

MAX. FEED WIRE SIZE BASED ON CEILING MATERIAL THICKNESS

CHART 1

MATERIAL THICKNESS	NO. OF SETS OF 14/2 ROMEX	NO. OF SETS OF 12/2 ROMEX	NO. OF SETS OF 14/2 BX
3/8" - 1"	2 (1 IN - 1 OUT)	1 (IN ONLY)	1 (IN ONLY)
1" - 1 1/2"	1 (IN ONLY)	1 (IN ONLY)	NOT APPLICABLE



Installation And Safety Instruction

HC-304

040204

Fill In Item Number On Carton And File This Sheet For Fixture Reference. ITEM# _____

INSTALLATION HC-304 CONTINUED

INSTALLATION

NOTE: Built-in wiring compartment allows for: (see chart 1).

1. Drill a 2 1/2" diameter hole in mounting surface.
2. Bring feed wire (Not included) from transformer through installation hole.
3. Remove housing cover screw (A) and remove housing cover (B) (See Fig. 2).
4. Strip 1/4" of insulation from the supply wires.
5. Insert each stripped conductor into the terminal block (C). Secure in place by tightening screws on terminal block.
6. Reinstall terminal block (C) and housing cover (B), and secure in place with screw (A).
7. Secure supply wire to housing by placing supply wire on support (E), then place supply wire holder (D) on supply wire and secure in place with small screws (F).

FINAL INSTALLATION

1. Making sure that clips are flat against housing and threaded tube on clip is inserted into channel housing, push housing into hole until flange is against surface.
2. Tighten clip screws to secure housing to surface.
3. Install lamp. (not included) For 9409 and 9413: 18w max. Install lamp. (not included) For 9412 and 9416: 20w max.
4. Install desired trim or glass shade (Not Included).

CLIP DIRECTION FOR VARIOUS MATERIAL THICKNESSES

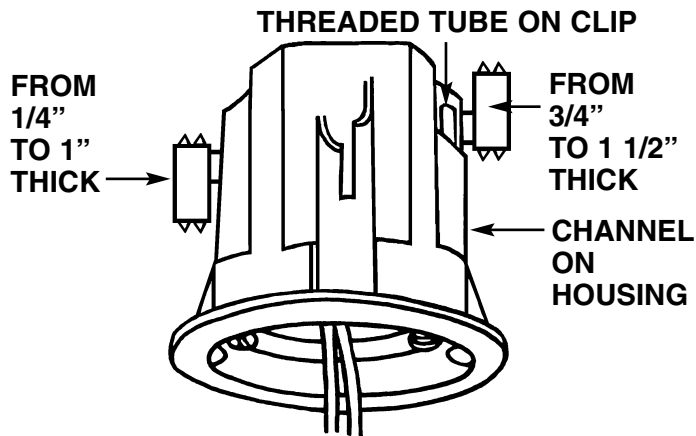


FIGURE 3

Warning: Use of other manufacturers components will void warranty, U.L. listing and create a potential safety hazard.

DIMMING HALOGEN LAMPS GREATLY REDUCES LAMP LIFE

WIRING COMPARTMENT DETAIL

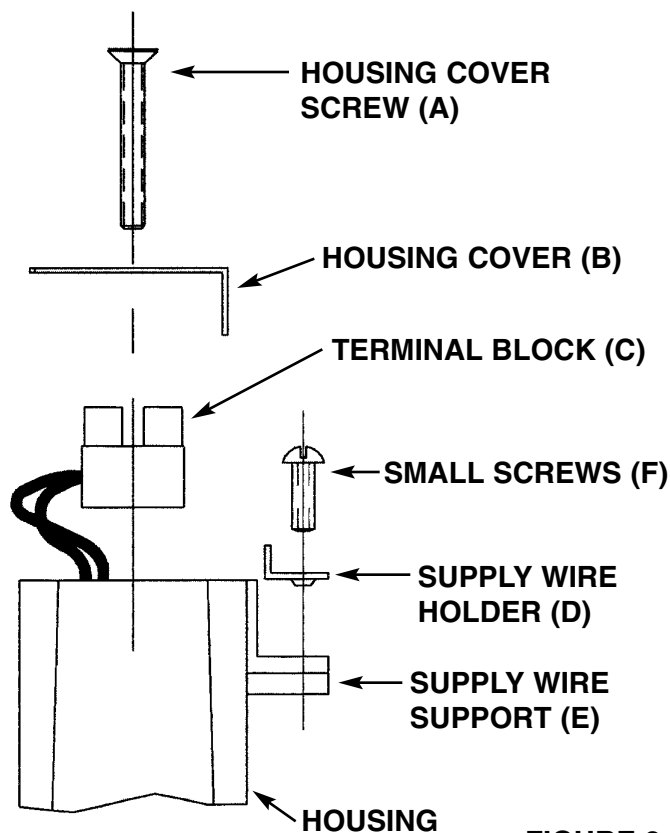


FIGURE 2