

IMPORTANT SAFETY INSTRUCTIONS

- Be sure the electricity to the system you are working on is turned off; either the fuse removed or the circuit breaker set at off.
- Use of other manufacturers components will void warranty, listing and create a potential safety hazard.
- If you are unclear as to how to proceed, contact a qualified electrician.
- You don't need special tools to install this fixture.
- Be sure to follow the steps in the order given.
- Under no circumstances should a fixture be hung on house electrical wires, nor should a swag type fixture be installed on a ceiling which contains a radiant type heating system.
- Read instructions carefully.
- Save these instructions.

INSTALLATION

IMPORTANT: DO NOT ATTACH FIXTURE DIRECTLY TO OUTLET BOX.

STEP 1:

Hold mounting bar with flat strap (A) behind mounting bar offset strap (C). Rotate straps so they are at right angles to one another.

STEP 2:

Insert fixture mounting screws (B) in threaded holes of mounting bar offset strap (C). Run screws all the way down to the heads.

STEP 3:

Place flat strap (A) of mounting bar against outlet box and fasten mounting bar, through slots in flat strap (A), to outlet box with outlet box screws (not supplied).

CLEANING

To clean, wipe fixture with a soft cloth. Clean glass with a mild soap. Do not use abrasive materials such as scouring pads or powders, steel wool or abrasive paper.

ORDERING PARTS

Keep this sheet for future reference, and in case you need to order replacement parts. Parts for this fixture can be ordered from place of purchase. Be sure to use exact wording from illustration when ordering parts.

WET LOCATION

NOTE: FOR FIXTURES LABELED FOR WET LOCATION AND USED OUTDOORS. CAUTION: To reduce the risk of electrical shock, provide a watertight seal between the fixture and the mounting surface by using a silicone or similar caulking.

BEFORE YOU BEGIN

Carefully remove the fixture from the carton and check that all parts are included, as shown in figure 1. Be careful not to misplace any of the screws or parts which are needed to install this fixture.

CAUTION: FIXTURES WITH PHOTO-CELLS SHOULD BE MOUNTED AT LEAST 48" FROM ALL SIDES TO AVOID REFLECTION OF LIGHT BACK ONTO PHOTO-CELL, CAUSING THE PHOTO-CELL TO MALFUNCTION OR FLICKER.

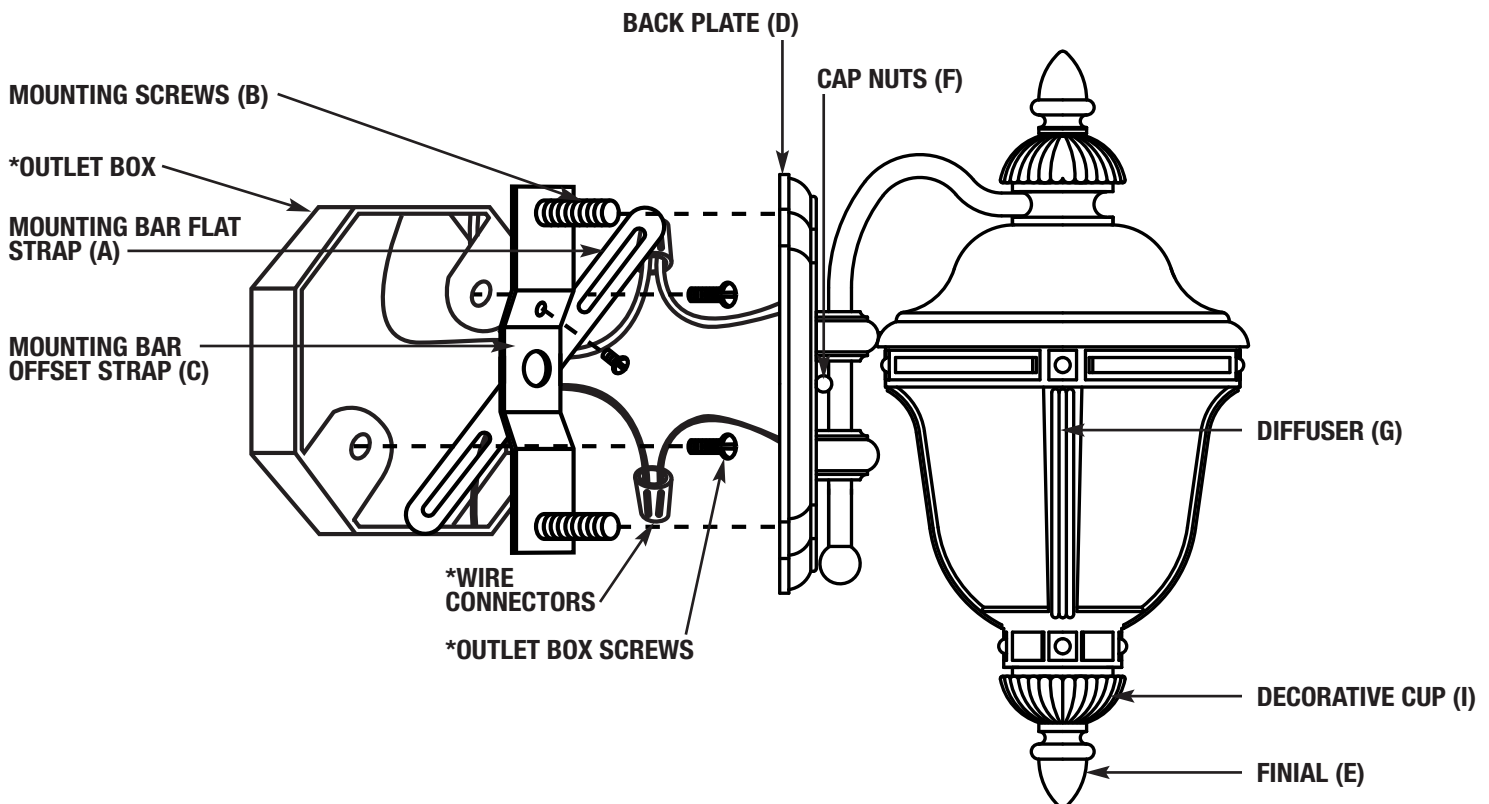


FIGURE 1

*NOT INCLUDED

STEP 4:

- A. Use a listed wire connector to connect the fixture hot wire (black wire, or round and smooth tracer) to the supply hot wire.
- B. Use a listed wire connector to connect the fixture common wire (white wire, or square and rigid) to the supply common wire.
- C. Gently try to remove the wires from the connector. If you can remove the wires, carefully re-do the wiring connection.

STEP 5:

GROUNDING INSTRUCTIONS: The green grounding screw is to be inserted into the hole with two raised dimples provided on the mounting bar. Wrap the ground wire from the fixture (if supplied) and the ground wire from the outlet box (bare metal or green insulated wire) around the green grounding screw on the mounting bar. If uninsulated wire is on the mounting bar, connect the ground wire from the fixture (if supplied) and the outlet box to it using a small wire connector (not supplied). **NEVER CONNECT GROUND WIRE TO BLACK OR WHITE POWER SUPPLY WIRES.**

Make sure no bare wires can be seen outside wire connectors.

STEP 6:

After wires are connected, tuck them carefully into outlet box. Position fixture backplate (D) onto mounting screws (B) to protrude through holes in backplate (D). If necessary, rotate mounting bar offset strap (C) to proper position. Push fixture firmly against the wall and secure in place with cap nuts (F).

STEP 7:

Install self ballasted lamp (J) by gently twisting into socket (K).

STEP 8:

Raise diffuser (G) and decorative cup (I), in that order, over bottom nipple. Secure in place by threading finial (E) onto bottom nipple.

FIXTURES WITH A ONE PIECE LAMP / BALLAST COMBINATION

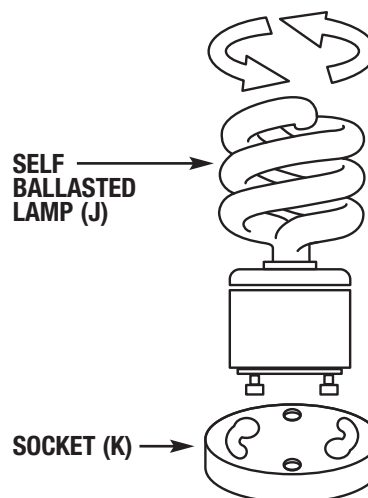


FIGURE 2