

INSTALLATION AND SAFETY INSTRUCTIONS

IMPORTANT SAFETY INSTRUCTIONS

- Be sure the electricity to the system you are working on is turned off; either the fuse removed or the circuit breaker set at off.
- Use of other manufacturers components will void warranty, listing and create a potential safety hazard.
- If you are unclear as to how to proceed, contact a qualified electrician.
- You don't need special tools to install this fixture.
- Be sure to follow the steps in the order given.
- Read instructions carefully.
- Save these instructions.

NOTE: THIS FIXTURE CAN BE HUNG USING 1, 2, OR 3 RODS. SELECT THE NUMBER OF RODS DESIRED.

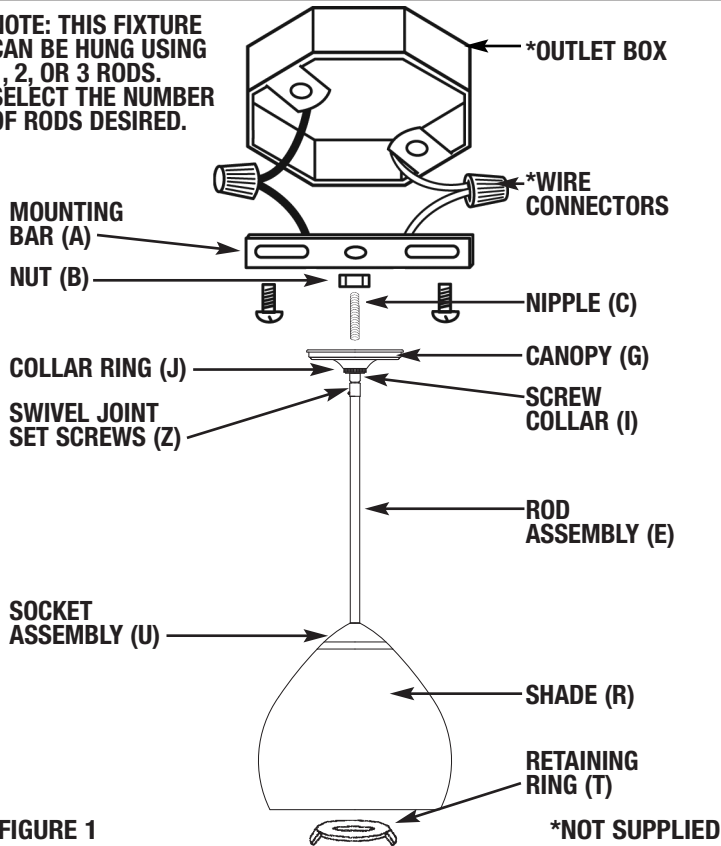


FIGURE 1

*NOT SUPPLIED

BEFORE YOU BEGIN

Carefully remove the fixture from the carton and check that all parts are included, as shown in Figures 1 & 2. Be careful not to misplace any of the screws or parts which are needed to install this fixture.

STEP 1:

Secure mounting bar (A) to outlet box using outlet box screws (not provided). Thread nipple (C) into mounting bar (A) so 5 threads are past mounting bar (A). Secure by threading nut (B) onto nipple (C) and to mounting bar (A). Thread screw collar (I) to nipple (C).

STEP 2:

Assemble rod assembly (E) by threading desired amount of rods together.

STEP 3:

Feed the fixture wire from the socket assembly (U), through the rod assembly (E) and thread rod assembly (E) into socket assembly (U). Slide collar ring (J) and canopy (G) (in that order) over rod assembly (E). Continue to feed wire through screw collar (I) and nipple (C).

STEP 4:

Thread remaining end of rod assembly (E) onto coupling of screw collar (I).

GROUNDING AND MOUNTING BAR LOCK UP

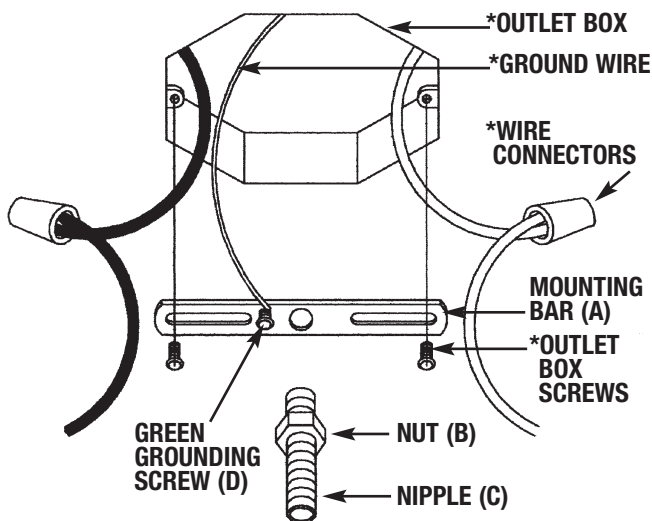


FIGURE 2

*NOT SUPPLIED



sea gull lighting®

Installation And Safety Instruction

HC-1360

052008

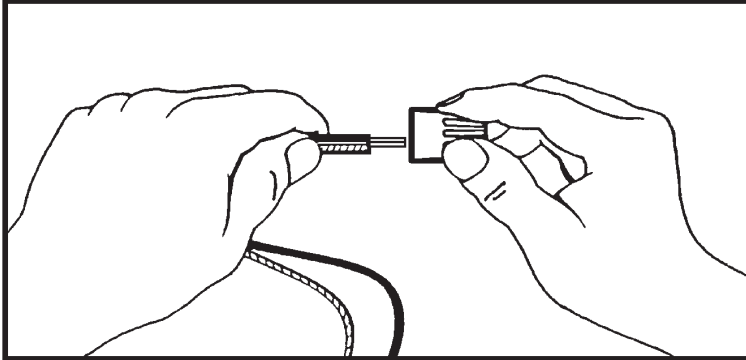
Line art shown may not exactly match the fixture enclosed. However, the installation instructions do apply to this fixture.


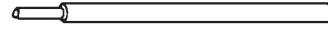
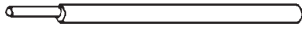

Fill In Item Number On Carton And
File This Sheet For Fixture Reference. ITEM# _____

WIRING

STEP 1:

A. Take note of the color of the wire(s) on your fixture. Identify which group your fixture wire(s) falls into and connect the wires according to the directions below:



GROUP A: CONNECT TO BLACK HOUSE WIRE	GROUP B: CONNECT TO WHITE HOUSE WIRE
BLACK 	WHITE 
*PARALLEL WIRE (ROUND & SMOOTH) 	*PARALLEL WIRE (SQUARE & RIDGED) 

*NOTE: When parallel wire is used, the tracer wire is square shaped or ridged, and the less tracer wire is round in shape or smooth. (Seen best when viewed from wire end.) To separate wires, grasp the ends of each wire and pull apart.

- B.** Take your fixture wire(s) from group A and place evenly against the black wire from the outlet box. **DO NOT** twist wires together before using wire connectors.
- C.** Fit a wire connector (not supplied) over the wires and thread the connector clockwise until you feel a firm resistance.
- D.** Gently try to remove wires from connector. If you can remove wires, carefully re-do steps B and C, as above and check again for a firm connection.
- E.** Connect the fixture wire from group B to the white wire from the outlet box in the same manner.

STEP 2:

GROUNDING INSTRUCTIONS: The green grounding screw (D) is to be inserted into the hole with two raised dimples provided on the mounting bar (A). Wrap the ground wire from the fixture (if supplied) and the ground wire from the outlet box (bare metal or green insulated wire) around the green grounding screw (D) on the mounting bar (A) and tighten the green grounding screw (D) to secure. If uninsulated wire is on the mounting bar (A), connect the ground wire from the fixture (if supplied) and the outlet box to it using a small wire connector (not supplied).

NEVER CONNECT GROUND WIRE TO BLACK OR WHITE POWER SUPPLY WIRES.

Make sure no bare wires can be seen outside wire connectors.

STEP 1:

After wires are connected, tuck them carefully inside outlet box and then raise the canopy (G) against ceiling and secure by threading collar ring (J) to screw collar (I).

STEP 2:

When installing on sloped ceilings: Loosen swivel joint set screws (Z) so rod assembly (E) hangs perpendicular to the floor. Tighten swivel joint set screws (Z) to secure.

STEP 3:

Place shade (R) onto socket assembly (U) and secure by threading retaining ring (T) onto socket.

STEP 4:

Install lamp.

CLEANING

To clean, wipe fixture body with a soft cloth. Clean glass with a mild soap. Do not use abrasive materials such as scouring pads or powders, steel wool or abrasive paper.

ORDERING PARTS

Keep this sheet for future reference, and in case you need to order replacement parts. Parts for this fixture can be ordered from place of purchase. Be sure to use exact wording from illustration when ordering parts.