

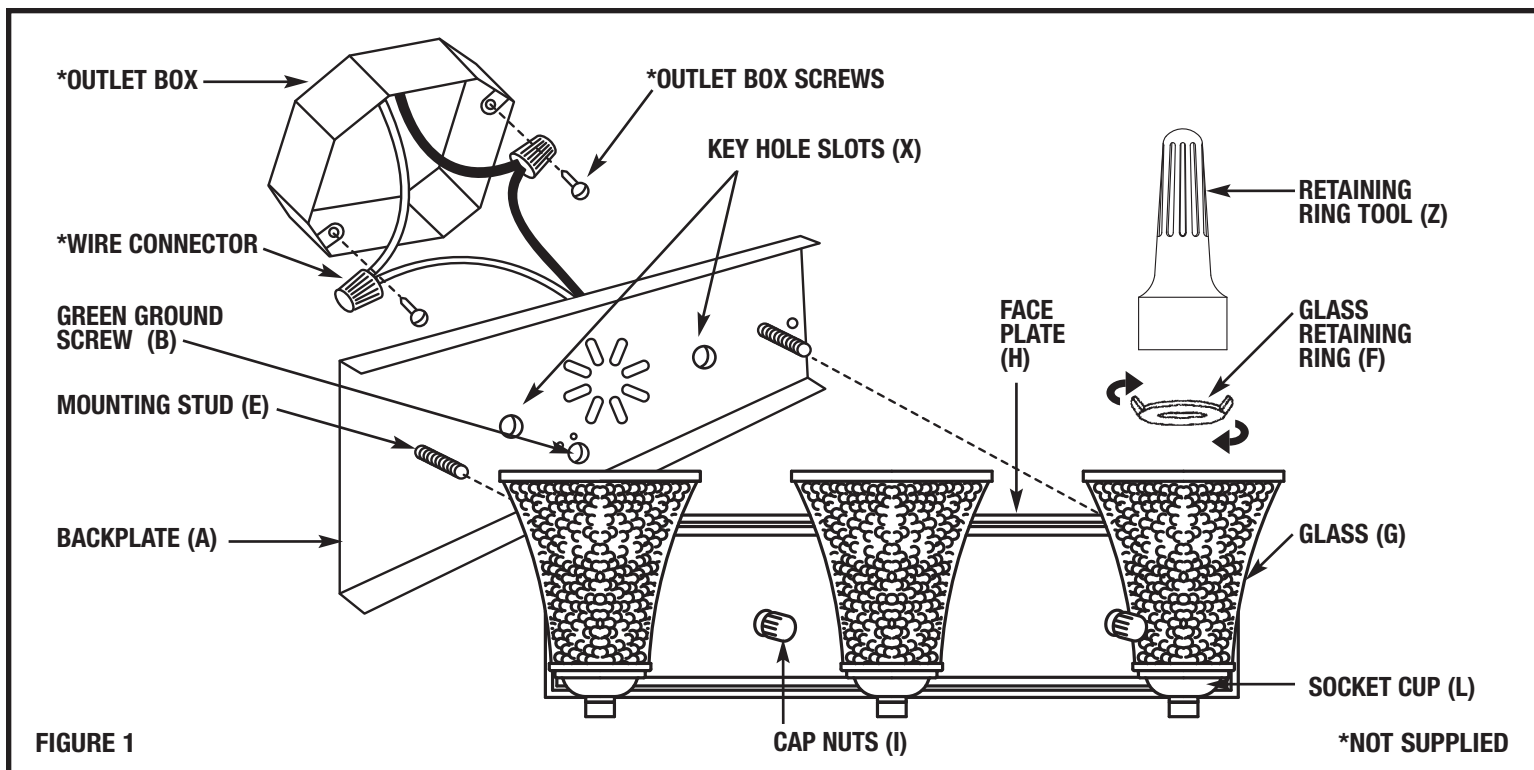
INSTALLATION AND SAFETY INSTRUCTIONS

IMPORTANT SAFETY INSTRUCTIONS

- Be sure the electricity to the system you are working on is turned off; either the fuse removed or the circuit breaker set at off.
- Use of other manufacturers components will void warranty, listing and create a potential safety hazard.
- You don't need special tools to install this fixture.
- Be sure to follow the steps in the order given.
- If you are unclear as to how to proceed, contact a qualified electrician.
- Proper wiring is essential for the safe operation of this fixture.
- Save these instructions.

BEFORE YOU BEGIN

Carefully remove the fixture from the carton and check that all parts are included, as shown in Figure 1. Be careful not to misplace any of the screws or parts which are needed to install this fixture.



sea gull lighting®

**Installation And Safety
Instruction**

HC-1118

101807

Fill In Item Number On Carton And
File This Sheet For Fixture Reference. ITEM# _____

STEP 1:

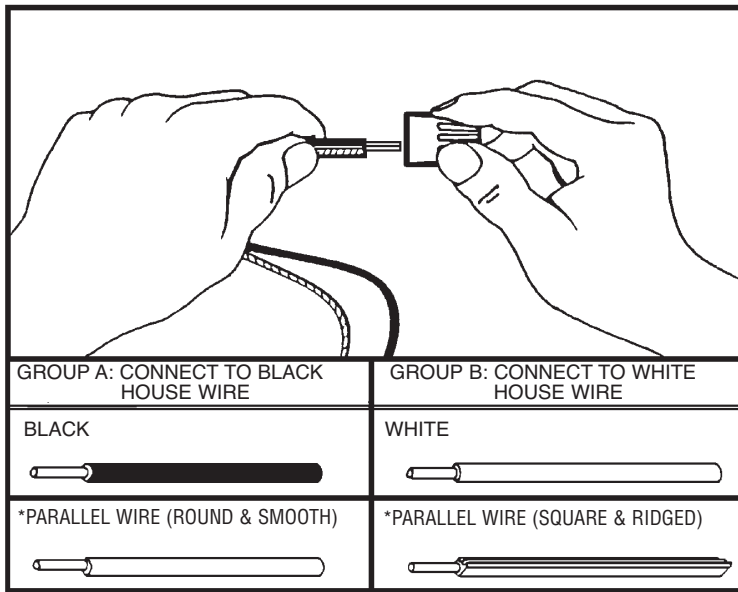
Attach backplate (A) to outlet box by placing outlet box screws (not supplied) through holes in backplate (A). For additional support use extra screws through key hole slots (X) (when installing to dry wall be sure to use anchors).

STEP 2:

Push socket wires through opening in backplate (A).

STEP 3:

A. Take note of the color of the wire(s) on your fixture. Identify which group your fixture wire(s) falls into and connect the wires according to the directions below:



*NOTE: When parallel wire is used, the tracer wire is square shaped or ridged, and the less tracer wire is round in shape or smooth. (Seen best when viewed from wire end.) To separate wires, grasp the ends of each wire and pull apart.

B. Take your fixture wire(s) from group A and place evenly against the black wire from the outlet box. **Do Not** twist wires together before using wire connectors.

C. Fit a wire connector (not supplied) over the wires and thread the connector clockwise until you feel a firm resistance.

D. Gently try to remove the wires from the connector. If you can remove the wires, carefully re-do steps B and C, as above, and check again for a firm connection.

E. Connect the fixture wire from group B to the white wire from the outlet box in the same manner.

STEP 4:

GROUNDING INSTRUCTIONS: The green grounding screw (B) is to be inserted into the hole with two raised dimples provided on the back plate (A). Wrap the ground wire from the fixture (if supplied) and the ground wire from the outlet box (bare metal or green insulated wire) around the green grounding screw (B) on the back plate (A).

NEVER CONNECT GROUND WIRE TO BLACK OR WHITE POWER SUPPLY WIRES.

FINAL ASSEMBLY

Make sure no bare wires can be seen outside wire connectors.

STEP 1:

Tuck wires into outlet box. Position faceplate (H) over studs (E) and secure in place with cap nuts (I) by threading cap nuts (I) onto mounting stud (E).

STEP 2:

Attach glass (G) to socket cup (L). Place glass retaining ring (F) onto socket and secure using glass retaining ring tool (Z).

STEP 3:

Install lamps.

CLEANING

To clean, wipe fixture with a soft cloth. Clean glass with a mild soap. Do not use abrasive materials such as scouring pads or powders, steel wool or abrasive paper.

ORDERING PARTS

Keep this sheet for future reference, and in case you need to order replacement parts. Parts for this fixture can be ordered from place of purchase. Be sure to use exact wording from illustration when ordering parts.