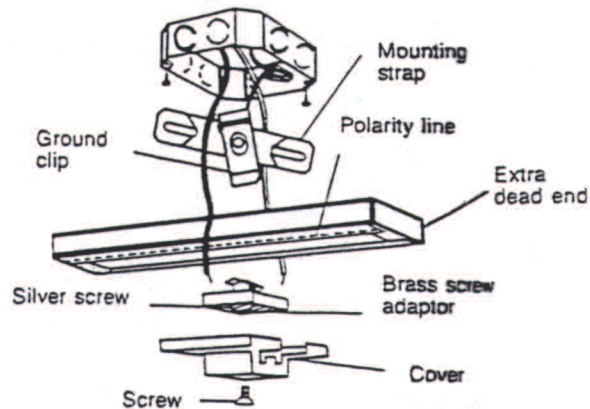


2618

● Floating Connector

Permits Electrifying at Any Point Along the Trac



Note: Proper wiring is essential for the safe operation of this trac system. Read the instructions carefully. If you are unclear as to how to proceed, consult a qualified electrician.

Warning: Be sure the electricity to the wires you are working on is shut off. Either remove fuse or turn off circuit breaker.

Installation:

1. Attach extra dead end to open end of trac or other connector.
2. Attach mounting strap and ground clip assembly to outlet box.
3. Snap trac into ground clip, rotate trac to desired angle and fasten trac to ceiling using toggle bolts (supplied) or wood screws (not supplied).
4. Insert adaptor into trac and rotate 90° to locked position so that brass screw is on same side of trac as polarity line.
5. The center line on adaptor must center on ground clip and center of outlet box.
6. Attach black wire to brass screw terminal; white wire to silver screw terminal; and ground wire from ground clip to ground wire or screw in outlet box.
7. Push excess wire back into outlet box and tight against sides of trac. Replace cover with screw into adaptor making sure the outlet box is completely covered.

Made in Taiwan