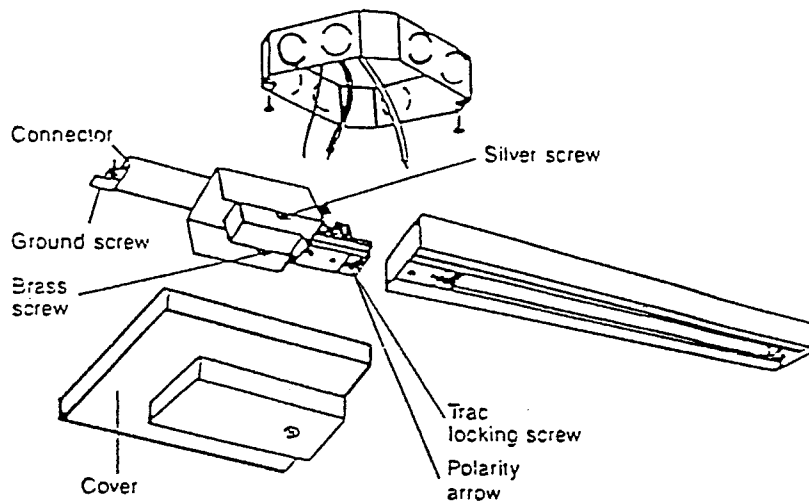


2616

● Live End Connector With Box Cover

For Connecting End of Trac to an Outlet Box



Note: Proper wiring is essential for the safe operation of this trac system. Read the instructions carefully. If you are unclear as to how to proceed, consult a qualified electrician.

Warning: Be sure the electricity to the wires you are working on is shut off. Either remove fuse or turn off circuit breaker.

Installation:

1. Remove cover from live end connector.
2. Loosen silver, brass, ground and trac locking screw. Insert white wire under silver screw; black under brass screw; ground wire under green ground wire; and tighten screws.
3. Slide connector into trac. Polarity arrow on connector **must** point to polarity line on trac section. Tighten trac locking screw. Replace cover.
4. Secure trac to ceiling using toggle bolts (supplied) or wood screws (not supplied). Make sure the outlet box is completely covered by the connector cover.

Made in Taiwan