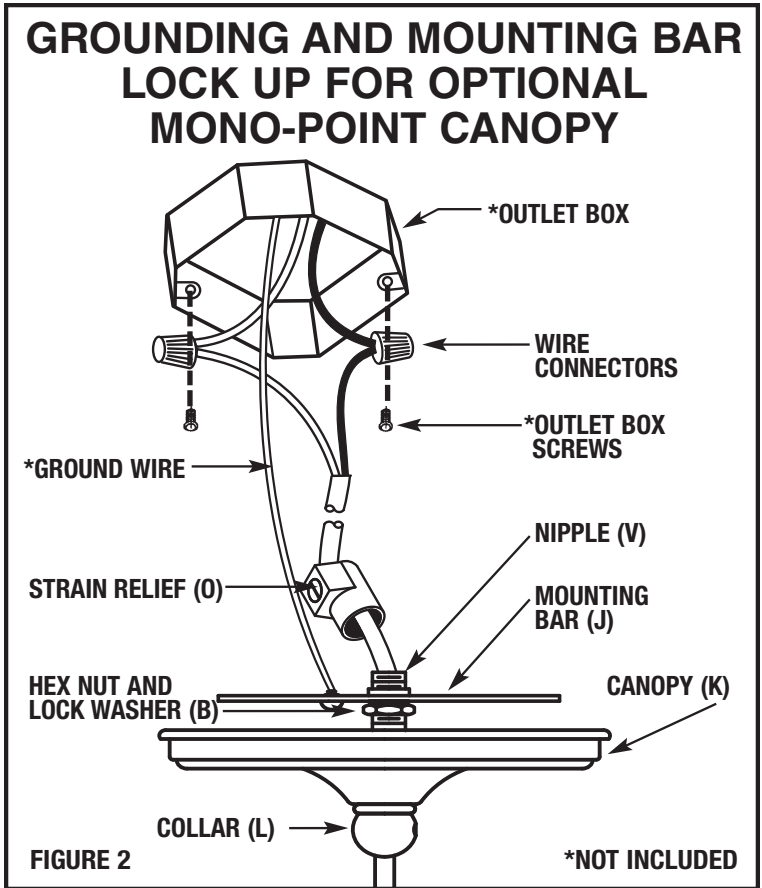
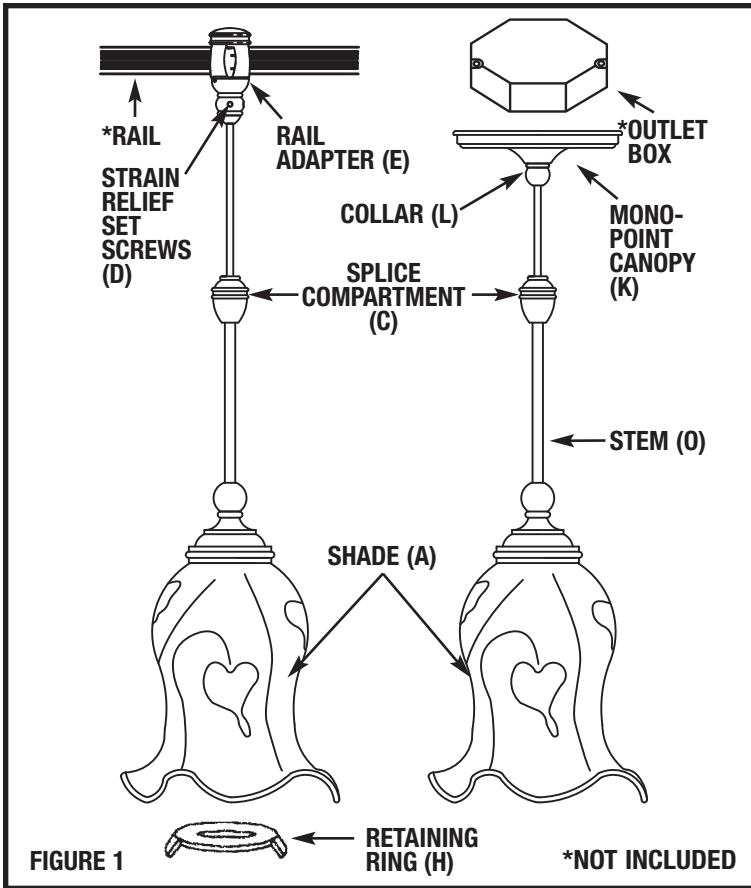


# INSTALLATION AND SAFETY INSTRUCTIONS



## IMPORTANT SAFETY INSTRUCTIONS

- Be sure the electricity to the system you are working on is turned off; either the fuse removed or the circuit breaker set at off.
- Use of other manufacturers components will void warranty, listing and create a potential safety hazard.
- If you are unclear as to how to proceed, contact a qualified electrician.
- Minimum distance from the front of the lamp to combustible surfaces is 8".
- Make sure all connections are tight.
- Dimming halogen lamps greatly reduces lamp life.
- Turn off and allow to cool before replacing lamp.
- Lamp gets HOT quickly! Contact switch only when turning on.
- Do not touch hot lens, guard, or enclosure.
- Keep lamp away from materials that may burn.
- Do not touch the lamp at any time. Use a soft cloth. Oil from skin may damage lamp.
- Do not operate the luminaire fitting with a missing or damaged shield.
- Save these instructions.

**NOTE:** This pendant can be hung either from a Transitions Series rail (not supplied) or from the supplied canopy. Follow the instructions for the appropriate mounting method.



**AMBIANCE**<sup>®</sup>  
LIGHTING SYSTEMS

**LR-157**

**020808**

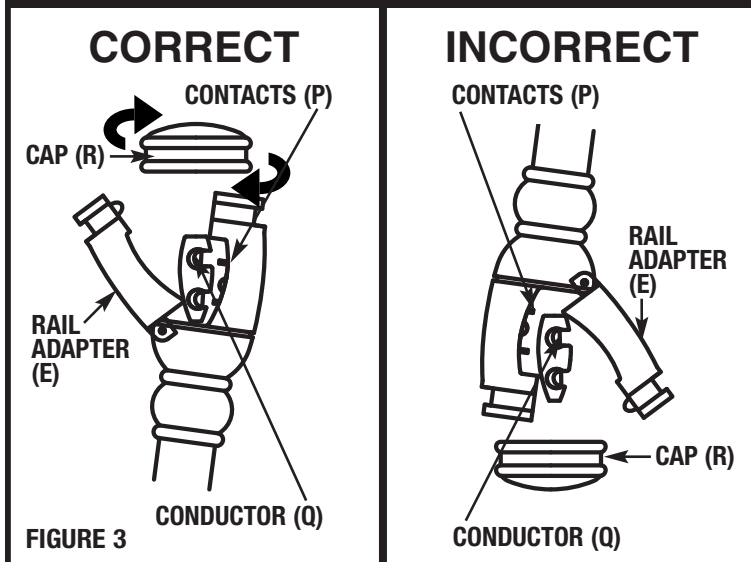
[www.SeaGullLighting.com](http://www.SeaGullLighting.com)

**ASSEMBLING PENDANT/SHORTENING PENDANT – REFER TO FIGURE 3**

1. Determine length of pendant and shorten cable from the splice compartment (C). Be sure to add 5" for electrical connections when installing as a mono-point.
2. Unthread top of splice compartment (C). Set top of splice compartment (C) and strain relief collar at new location. NOTE Strain relief collar is threaded and should be threaded up and down cable. Be sure ¼" of cable jacket is protruding out of strain relief collar. Secure in place by tightening the two set screws.
3. Make connections between socket leads and pendant cable using wire nuts inside the splice compartment (C) – Black to Black/White to White/Ground to Ground. Make sure no wires are left exposed and carefully tuck wire nuts into bottom half of splice compartment (C).
4. Close splice compartment (C) by threading the two halves together.
5. Remove retaining ring (H) from socket.
6. Install shade (A) over socket and secure in place by threading retaining ring (H) onto socket.
7. Install lamp. Thread supplied lamp enclosure over lamp.

**FOR MONO-POINT INSTALLATION – REFER TO FIGURE 2**

1. Remove rail adapter (E) by cutting wire below rail adapter (E). Carefully strip outer jacket so wires are exposed to make wire connections.
2. Slide collar (L), canopy (K), and hex nut and lock washer (B), mounting bar (J), and nipple (V) over wire to top of splice compartment (C).
3. Install strain relief (O). Use a flat head screwdriver to tighten strain relief screws.
4. Secure mounting bar (J) to outlet box using outlet box screws (not supplied).
5. Make electrical connections with UL listed connectors such as wire nuts.
  - a. House Black to Fixture Black
  - b. House White to Fixture White
 Take house ground wire and fixture ground wire and wrap around the green grounding screw located on the mounting bar (J). Secure by tightening the green grounding screw. Make sure no wires are left exposed and tuck wires into outlet box.
6. Raise canopy (K) against ceiling and thread collar (L) to the nipple (V).

**FIXTURE INSTALLATION****ATTACH PENDANT TO RAIL – REFER TO FIGURE 4**

1. Unthread cap (R) from rail adapter (E).
2. Making sure contacts (P) will align with conductors (Q) on rail, set the bottom of rail adapter (E) to the bottom of the rail and "roll" rail adapter (E) up onto the rail.
3. Close the hinged door of rail adapter (E) over the rail and secure fixture to rail by threading cap (R) back onto rail adapter (E).
4. Use supplied allen wrench to tighten strain relief set screws (D).