

INSTALLATION AND SAFETY INSTRUCTIONS

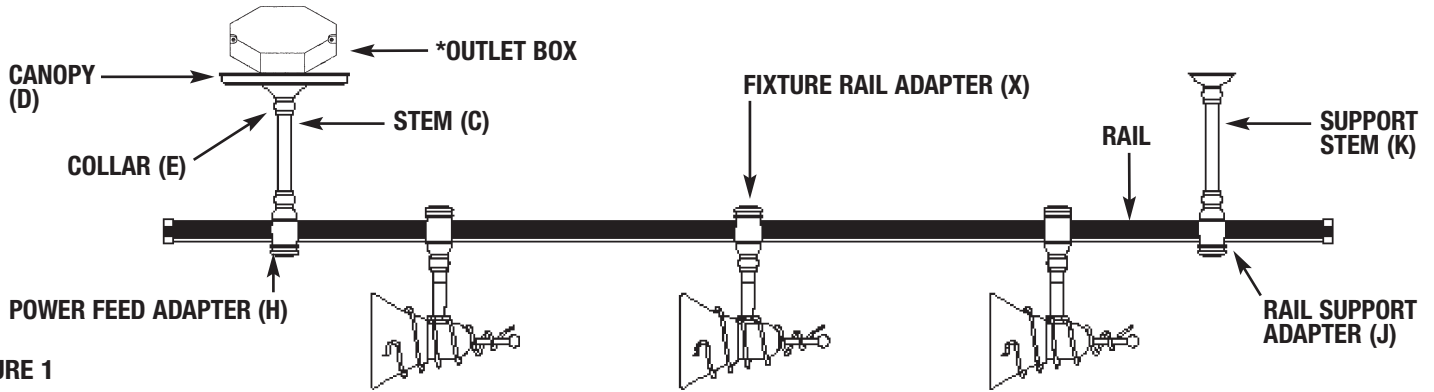


FIGURE 1

IMPORTANT SAFETY INSTRUCTIONS

- Be sure the electricity to the system you are working on is turned off; either the fuse removed or the circuit breaker set at off.
- Use of other manufacturers components will void warranty, listing and create a potential safety hazard.
- If you are unclear as to how to proceed, contact a qualified electrician.
- Minimum distance from the front of the lamp to combustible surfaces is 8".
- Make sure all connections are tight.
- Dimming halogen lamps greatly reduces lamp life.
- Do not install this track in damp or wet locations.
- Do not install any part of a track system less than 5 feet above the floor.
- Disconnect electrical power before adding to or changing the configuration of the rail.
- Do not attempt to energize anything other than lighting rail luminaries on the rail. To reduce the risk of fire and electric shock, do not attempt to connect power tools, extension cords, appliances, and the like to the track.
- Do not connect a rail to more than one branch circuit. Although the rail lighting system may seem to operate acceptably, a dangerous overload of the neutral may occur and result in a risk of fire.
- To reduce the risk of FIRE or INJURY TO PERSONS: Turn off and allow to cool before replacing lamp.
- Lamp gets HOT quickly! Contact switch only when turning on.
- Do not touch hot lens, guard, or enclosure.
- Do not touch the lamp at any time. Use a soft cloth. Oil from skin may damage lamp.
- Do not operate the luminaire fitting with a missing or damaged shield.
- Save these instructions.

TO ADD OPTIONAL STEM EXTENSIONS – POWER FEED

1. Unthread power feed adapter (H) from stem (C).
2. Run wires from power feed adapter through stem extension (not supplied).
3. Thread stem extension into power feed adapter (H).
4. Thread stem (C) into stem extension.

POWER FEED INSTALLATION – FIGURE 2

1. Unthread collar (E). Carefully slide collar (E) and canopy (D) to bottom of stem (C).
2. Make wire connections from power feed to house supply wires with wire nuts (supplied) or other UL recognized wiring device. White to white, black to black. Connect house ground wire to green grounding screw located on universal mounting bar (A).
3. Secure universal mounting bar (A) to outlet box using outlet box screws (not provided). Tilt canopy (D) in order to better access screws.
4. Slide canopy (D) over outlet box and thread collar (E) to nipple (Y) to secure. Unthread cap (F) from power feed adapter (H).
5. Install rail into adapters so rail conductors (O) face contacts (L) of power feed (see Fig 4). ***Please make sure contacts (L) fit into rail conductors (O) properly.** NOTE: If power feed or support adapters are not able to close around rail, turn rail around so adapter fits properly.
6. Close hinged side of power feed adapter (H) over rail. Use a phillips head screw driver to tighten grounding screw located just above the cap (F) on the power feed adapter (H) into the rail. Thread cap (F) back onto power feed adapter (H).

GROUNDING AND UNIVERSAL MOUNTING BAR LOCK UP FOR POWER FEED

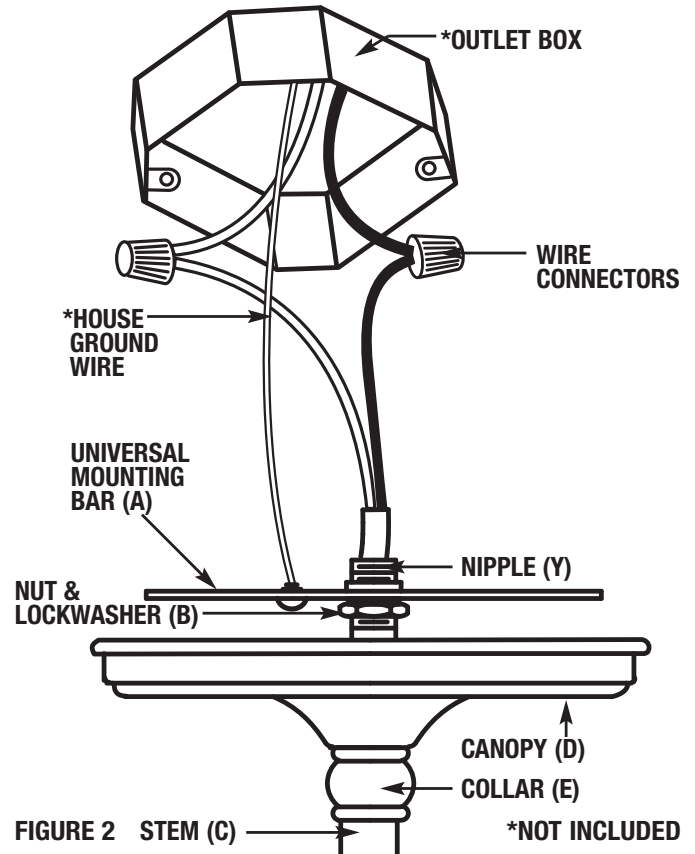


FIGURE 2 STEM (C) *NOT INCLUDED



LR-101
011408

www.SeaGullLighting.com

ADDING OPTIONAL STEM EXTENSIONS – SUPPORT ADAPTER LR-101

1. Unthread rail adapter (J) from support stem (K).
2. Thread rail support extension (not supplied) into rail adapter (J).
3. Thread support stem (K) into rail support extension.

RAIL SUPPORT INSTALLATION – FIGURE 3

1. Measure distance from power feed to support adapter (36" max).
2. In drywall, drill $\frac{5}{8}$ " hole at desired location for support adapter toggle bolt screw (M).
3. Insert toggle bolt screw (M) into mounting disc (G). Thread toggle bolt wing (Z) onto toggle bolt screw (M). Insert toggle bolt screw (M) and wing (Z) into drilled hole so mounting disc (G) is flush with the ceiling. **Note:** When applicable, use other securing method such as a wood screw (not supplied).
4. Thread support base (I) to mounting disc (G) tightly. Thread support stem (K) to mounting disc (G).
5. Raise rail up to power feed adapter (H) and rail support adapter (J). Close power feed adapter (H) and rail support adapter (J) over rail (refer to figure 2) and thread caps (F) back onto power feed adapter (H) and rail support adapter (J) to secure.

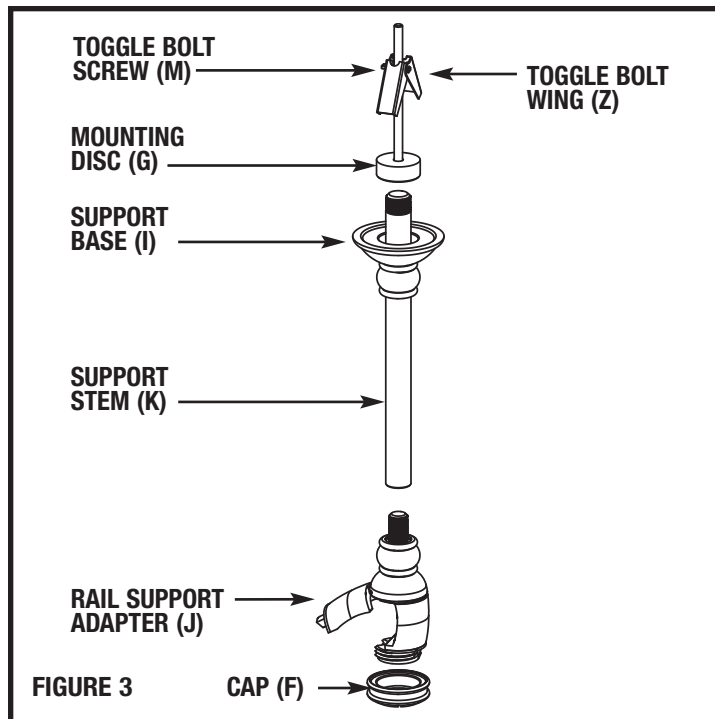


FIGURE 3

INSTALL RAIL ONTO POWER FEED AND SUPPORT (Fig. 4)

- NOTE:** When bending rail, do not bend rail tighter than a 12" radius.
1. Unthread caps (F) from rail adapters (J).
 2. Install rail into rail adapters so conductors (O) face contacts (L) of power feed (see Fig 4). ***Please make sure contacts (L) fit into rail conductors (O) properly.** **NOTE:** If power feed or support adapters are not able to close around rail, turn rail around so adapter fits properly (see fig. 4).
 3. Close adapters (J) over rail and thread caps (F) back onto adapter.
 4. Check rail with a level to insure system has been installed evenly. You may unthread either the power feed or support adapter to adjust the pitch of the rail. Do not unthread more than $\frac{1}{8}$ ". Remove wiring connections from power feed, if adjusting power feed.

ATTACH FIXTURE TO RAIL (Fig. 5)

1. Install lamp. Thread supplied lamp enclosure over lamp.
2. Unthread cap (F) from fixture rail adapter (X).
3. Making sure contacts (L) will align with conductors (O) on rail, set the bottom of the rail adapter to the bottom of the rail and "roll" the rail adapter (X) up onto the rail.
4. Install fixture to rail by closing rail adapter (X) over rail (see fig. 5) and threading cap back onto rail adapter (X) tightly.

POWER FEED / SUPPORT INSTALLATION

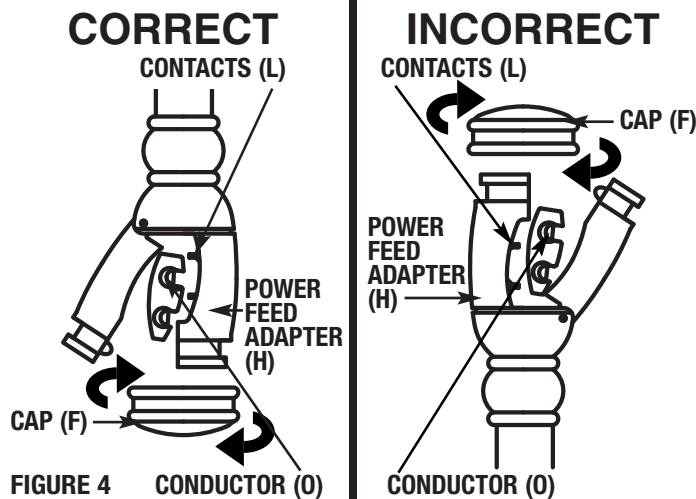


FIGURE 4

FIXTURE INSTALLATION

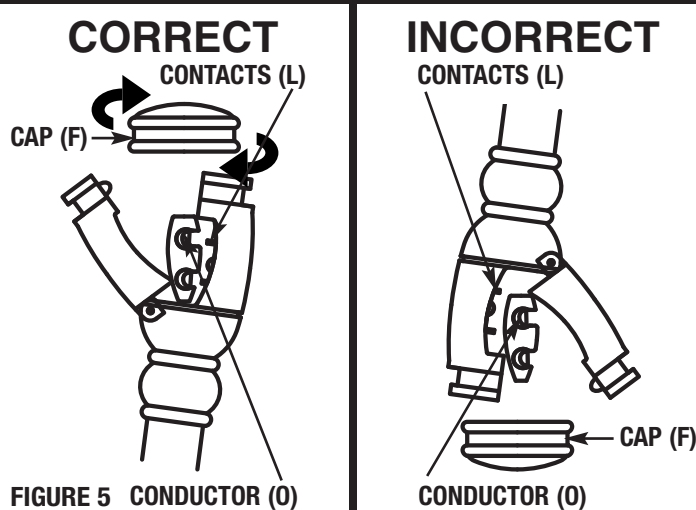


FIGURE 5