

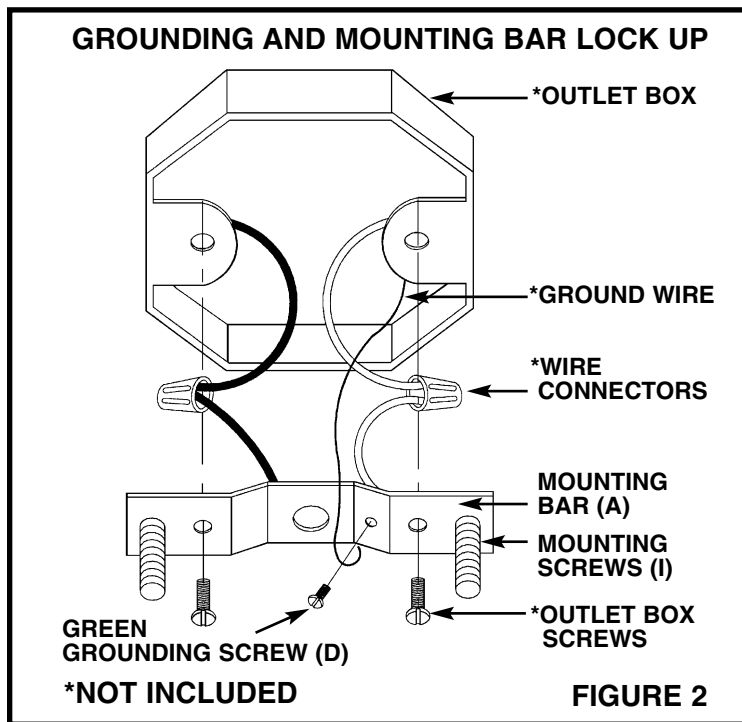
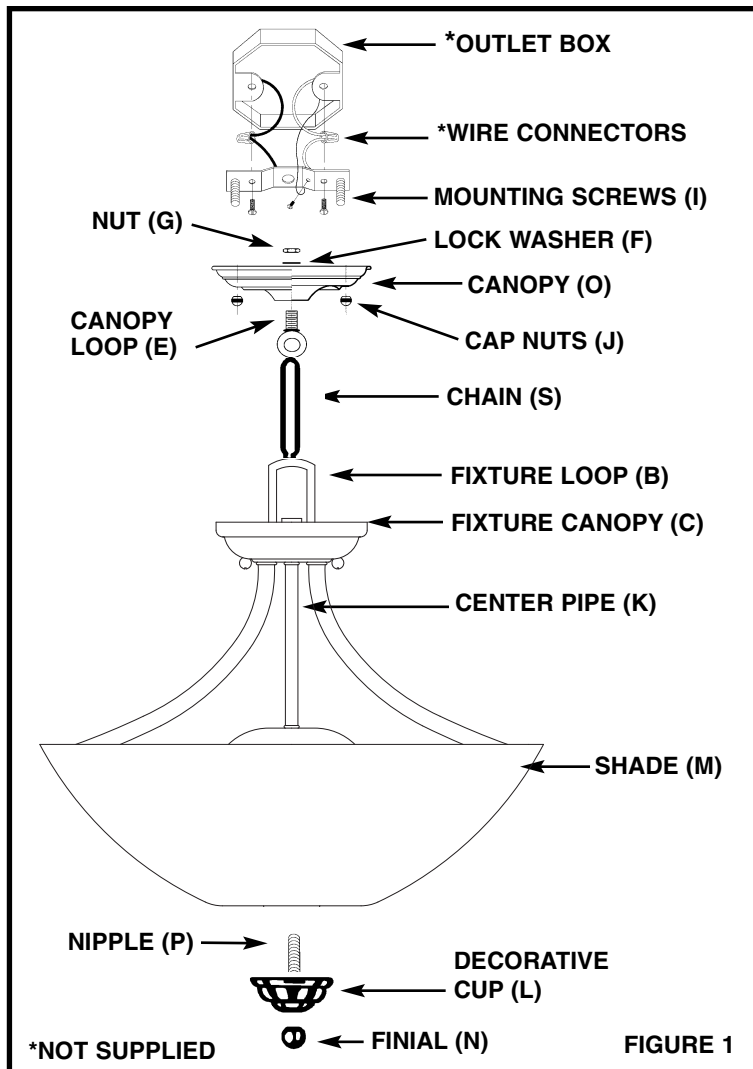
# INSTALLATION AND SAFETY INSTRUCTIONS

## FOR YOUR SAFETY

**WARNING: BE SURE THE ELECTRICITY TO THE WIRES YOU ARE WORKING ON IS SHUT OFF. EITHER THE FUSE REMOVED OR THE CIRCUIT BREAKER OFF.**

## GENERAL

You don't need special tools to install this fixture. Be sure to follow the steps in the order given. Read instructions carefully. **If you are unclear as to how to proceed, consult a qualified electrician.**



## ASSEMBLY

Carefully remove the fixture from the carton and check that all parts are included, as shown in Figure 1 & 2. Be careful not to misplace any of the screws or parts which are needed to install this fixture.

**NOTE: This fixture may be installed either flush mount or chain-hung. Follow the steps for the mounting method you have chosen.**

## FOR CHAIN-HUNG

**STEP 1:** (If applicable.)

Install fixture loop (B) to fixture canopy (C).

**STEP 2:**

On canopy loop (E), slide canopy (O), lock washer (F), and secure with nut (G).

## FOR FLUSH MOUNT

**STEP 1:**

Remove: fixture loop (B), fixture canopy (C) from fixture, feed fixture wires through center hole of canopy (O). Secure canopy (O) to fixture by installing lock washer (F) and nut (G) over center nipple.



**sea gull lighting®**

**Installation And Safety  
Instruction  
HC-999**

**072706**

Fill In Item Number On Carton And  
File This Sheet For Fixture Reference. ITEM# \_\_\_\_\_

**INSTALLATION**

HC-999

**IMPORTANT: DO NOT ATTACH FIXTURE DIRECTLY TO OUTLET BOX.**

**STEP 1: FOR EITHER MOUNTING METHOD**

Thread fixture mounting screws (I) in through top of mounting bar (A) (raised side is on top, as illustrated). Run screw threads all the way down to the heads. Secure mounting bar (A) to outlet box with outlet box screws (not supplied).

**STEP 2: FOR CHAIN HUNG ONLY (STEPS 2-4)**

Using 2 pairs of pliers, open one link of chain (S) and connect it to the fixture loop (B) at the top of the fixture.

**STEP 3:**

Open one link on the other end of the chain (S) and attach it to the canopy loop (E).

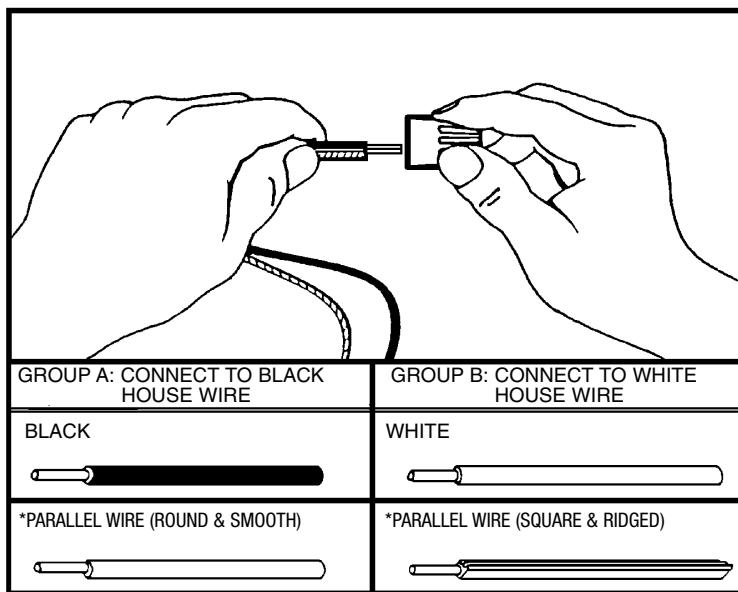
**BE SURE TO CLOSE ALL CHAIN LINKS COMPLETELY.**

**STEP 4:**

Lace wires up through chain (S) and pass wires through hole in canopy loop (E). We recommend lacing wire up through every other link of chain (S).

**WIRING INSTRUCTIONS**

A. Take note of the color of the wire(s) on your fixture. Identify which group your fixture wire(s) falls into and connect the wires according to the directions below:



\*Note: When parallel wire is used, the tracer wire is square shaped or ridged and less tracer wire is round in shape or smooth. (Seen best when viewed from wire end.) To separate wires, grasp the ends of each wire and pull apart.

B. Take your fixture wire(s) from group A and place evenly against the black wire from the outlet box. **DO NOT** twist wires together before using wire connectors.

C. Fit a wire connector (not supplied) over the wires and screw the connector clockwise until you feel a firmness.

D. Try gently to pull the connector off the wires. If you can pull the connector off, carefully re-do steps B and C, as above and check again for a firm connection.

E. Connect the fixture wire from group B to the white wire from the outlet box in the same manner.

**GROUNDING INSTRUCTIONS:**

The green grounding screw (D) is to be inserted into the hole with two raised dimples provided on the mounting bar (A). Wrap the ground wire (F) from the fixture (if supplied) and the ground wire from the outlet box (bare metal or green

insulated wire) around the green grounding screw (D) on the mounting bar (A) if uninsulated wire is on the mounting bar (A), connect the ground wire (F) from the fixture (if supplied) and the outlet box to it using a small wire connector (not supplied).

NOTE: Underwriters Laboratories (U.L.) does not require all fixtures to have ground wires. These fixtures still meet all U.L. specifications. The listing mark of Underwriters on the product identifies products manufactured under its listing and Follow-Up Service Programs.

**NEVER CONNECT GROUND WIRE TO BLACK OR WHITE POWER SUPPLY WIRES.**

**FINAL ASSEMBLY**

**Make sure no bare wires can be seen outside wire connectors.**

**STEP 1:**

After wires are connected, tuck them carefully inside outlet box and then raise the canopy (O) against ceiling allowing for mounting screws (I) to protrude through holes in canopy (O). Secure in place with cap nuts (J).

**STEP 2:**

Install lamps.

**STEP 3:**

Thread nipple (P) into socket assembly (Q).

**STEP 4:** (if applicable.)

Raise shade (M), and decorative cup (L), in that order over nipple (P). Secure in place with finial (N).

**CLEANING**

To clean, wipe fixture with a soft cloth. Clean glass with a mild soap. Do not use abrasive materials such as scouring pads or powders, steel wool or abrasive paper.

**ORDERING PARTS**

Keep this sheet for future reference, and in case you need to order replacement parts. All parts for this fixture can be ordered from place of purchase. Be sure to use exact wording from illustration when ordering parts.