

INSTALLATION AND SAFETY INSTRUCTIONS

FOR YOUR SAFETY

WARNING: BE SURE THE ELECTRICITY TO THE WIRES YOU ARE WORKING ON IS SHUT OFF. EITHER THE FUSE REMOVED OR THE CIRCUIT BREAKER OFF.

GENERAL

You don't need special tools to install this fixture. Be sure to follow the steps in the order given. Read instructions carefully. **If you are unclear as to how to proceed, consult a qualified electrician.**

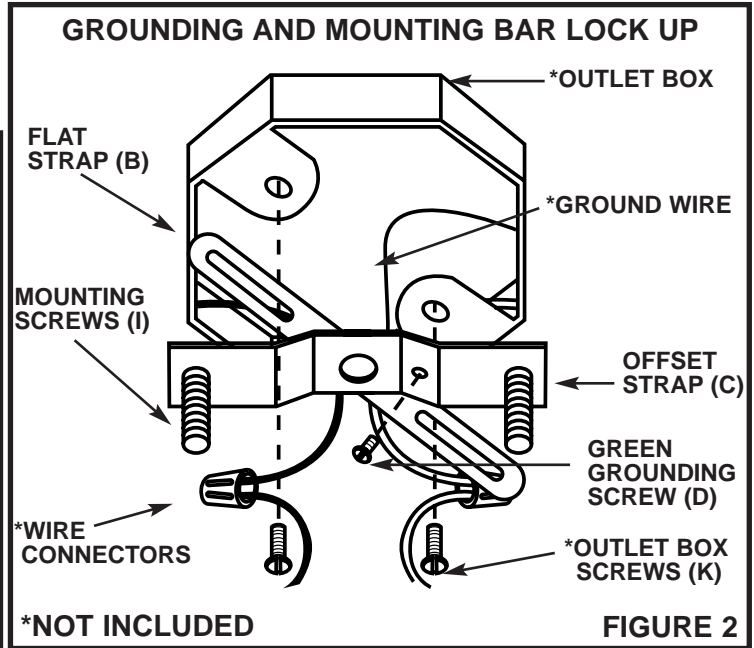
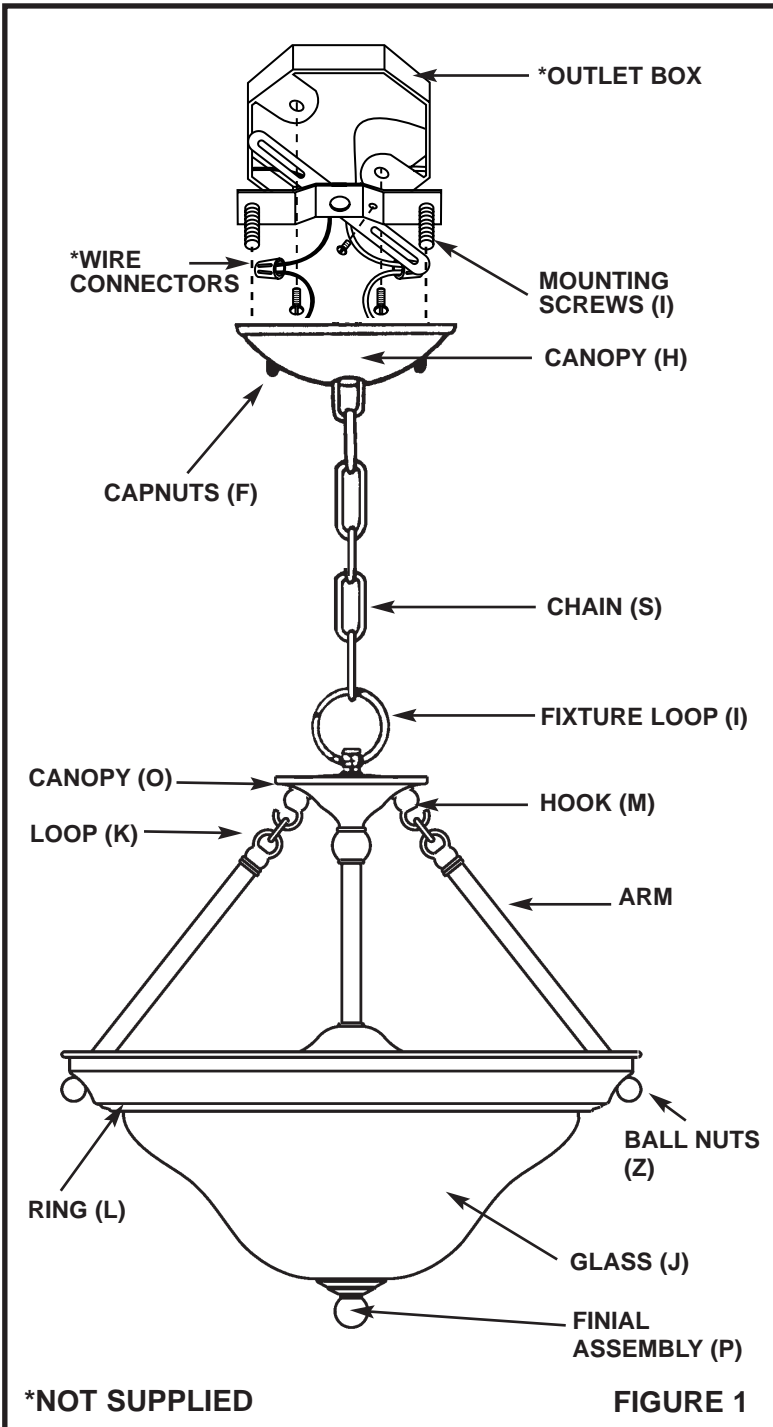
WARNING: TO REDUCE THE RISK OF FIRE, ELECTRIC SHOCK OR PERSONAL INJURY, MOUNT TO OUTLET BOX OR SUPPORTING SYSTEM ABLE TO SUPPORT THE WEIGHT OF THE FIXTURE.

ASSEMBLY

Carefully remove the fixture from the carton and check that all parts are included, as shown in Figure 1, 2 & 3. Be careful not to misplace any of the screws or parts which are needed to install this fixture.

STEP 1:

Attach arms to ring (L) with ball nuts (Z).



FOR FLUSH MOUNT

STEP 1:

Remove: fixture loop (I), fixture canopy from fixture, feed fixture wires through center hole of canopy (H). Secure canopy (H) to fixture by installing lock washer (F) and nut (G) over center nipple.



sea gull lighting®

Installation And Safety Instruction

HC-908 072205

Fill In Item Number On Carton And
File This Sheet For Fixture Reference. ITEM# _____

IMPORTANT: DO NOT ATTACH FIXTURE DIRECTLY TO OUTLET BOX.

STEP 1:

Hold mounting bar with flat strap (B) behind offset strap (C). Rotate straps so they are at right angles to one another.

STEP 2:

Insert fixture mounting screws (I) in threaded holes of offset strap (C). Run screws all the way down to the heads.

STEP 3:

Place flat strap (B) of mounting bar against outlet box (not supplied) and fasten mounting bar, through slots in flat strap (B), to outlet box with outlet box screws (K) (not supplied). Be sure the mounting screws are perfectly horizontal so fixture hangs straight.

STEP 4 AND 5 FOR CHAIN HUNG ONLY

STEP 4:

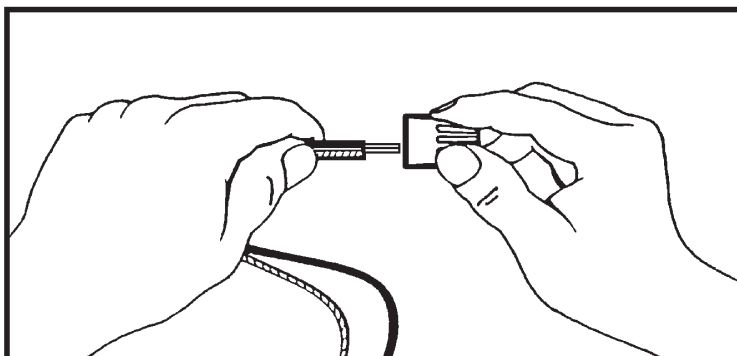
Using 2 pairs of pliers, open one link of chain (S) and connect it to the fixture loop (I) at the top of the fixture.


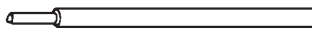
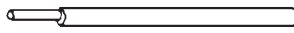

STEP 5:

Lace wires up through chain (S) and pass wires through canopy loop (E). We recommend lacing wire up through every other link of chain (S).

STEP 6:

A. Take note of the color of the wire(s) on your fixture. Identify which group your fixture wire(s) falls into and connect the wires according to the directions below:



GROUP A: CONNECT TO BLACK HOUSE WIRE	GROUP B: CONNECT TO WHITE HOUSE WIRE
BLACK 	WHITE 
*PARALLEL WIRE (ROUND & SMOOTH) 	*PARALLEL WIRE (SQUARE & RIDGED) 

*Note: When parallel wire is used, the tracer wire is square shaped or ridged and less tracer wire is round in shape or smooth. (Seen best when viewed from wire end.) To separate wires, grasp the ends of each wire and pull apart.

B. Take your fixture wire(s) from group A and place evenly against the black wire from the outlet box. **DO NOT** twist wires together before using wire connectors.

C. Fit a wire connector (not supplied) over the wires and screw the connector clockwise until you feel a firmness.

D. Try gently to pull the connector off the wires. If you can pull the connector off, carefully re-do steps B and C, as above and check again for a firm connection.

E. Connect the fixture wire from group B to the white wire from the outlet box in the same manner.

STEP 6:

GROUNDING INSTRUCTIONS: The green grounding screw (D) is to be inserted into the hole with two raised dimples provided on the mounting bar. Wrap the ground wire from the fixture (if supplied) and the ground wire from the outlet box (bare metal or green insulated wire) around the green grounding screw on the mounting bar if uninsulated wire is on the mounting bar, connect the ground wire from the fixture (if supplied) and the outlet box to it using a small wire connector (not supplied).

NOTE: Underwriters Laboratories does not require all fixtures to have ground wires. These fixtures still meet all UL specifications.

NEVER CONNECT GROUND WIRE TO BLACK OR WHITE POWER SUPPLY WIRES.

FINAL ASSEMBLY

Make sure no bare wires can be seen outside wire connectors.

STEP 1:

After wires are connected, tuck them carefully inside outlet box and then raise the canopy (H) against ceiling allowing for mounting screws (I) to protrude through holes in canopy (H). Secure in place with cap nuts (F).

STEP 2:

Install lamps by inserting lamp into socket clip (socket clip must be mounted on the upper side.)

STEP 3:

Raise glass shade (J) to ring (L) and secure with finial assembly (P). Raise and attach loops (K) to arm hooks (M).

CLEANING

To clean, wipe fixture with a soft cloth. Clean glass with a mild soap. Do not use abrasive materials such as scouring pads or powders, steel wool or abrasive paper.

ORDERING PARTS

Keep this sheet for future reference, and in case you need to order replacement parts. All parts for this fixture can be ordered from place of purchase. Be sure to use exact wording from illustration when ordering parts.

BALLAST REPLACEMENT

TURN POWER OFF.

Carefully remove glass by following the glass installation instructions in reverse. Separate the 120v between the ballast and the house supply wire .

Disconnect the secondary ballast wires to the lamp by disconnecting the plug.

Remove ballast mounting screws and remove ballast from fixture assembly. Replace ballast with the same make and model, secure ballast to fixture assembly, make proper wiring connections to the supply wire and install the socket plug to the lamps.