

FOR YOUR SAFETY

WARNING: BE SURE THE ELECTRICITY TO THE WIRES YOU ARE WORKING ON IS SHUT OFF. EITHER THE FUSE REMOVED OR THE CIRCUIT BREAKER OFF.

GENERAL

You don't need special tools to install this fixture. Be sure to follow the steps in the order given. Read instructions carefully. If you are unclear as to how to proceed, consult a qualified electrician.

NOTE: FOR FIXTURES PROVIDED WITH 75°C OR 90°C SUPPLY WIRE WARNING ONLY-(THESE WARNINGS ARE PROVIDED ON THE U.L. LABEL AND ON THE FIXTURE CARTON): RISK OF FIRE. MOST DWELLINGS BUILT BEFORE 1985 HAVE SUPPLY WIRE RATED 60°C. CONSULT A QUALIFIED ELECTRICIAN BEFORE INSTALLING.

IF SUPPLY WIRES ARE LOCATED WITHIN 3" OF BALLAST, USE WIRE RATED FOR AT LEAST 90°C.

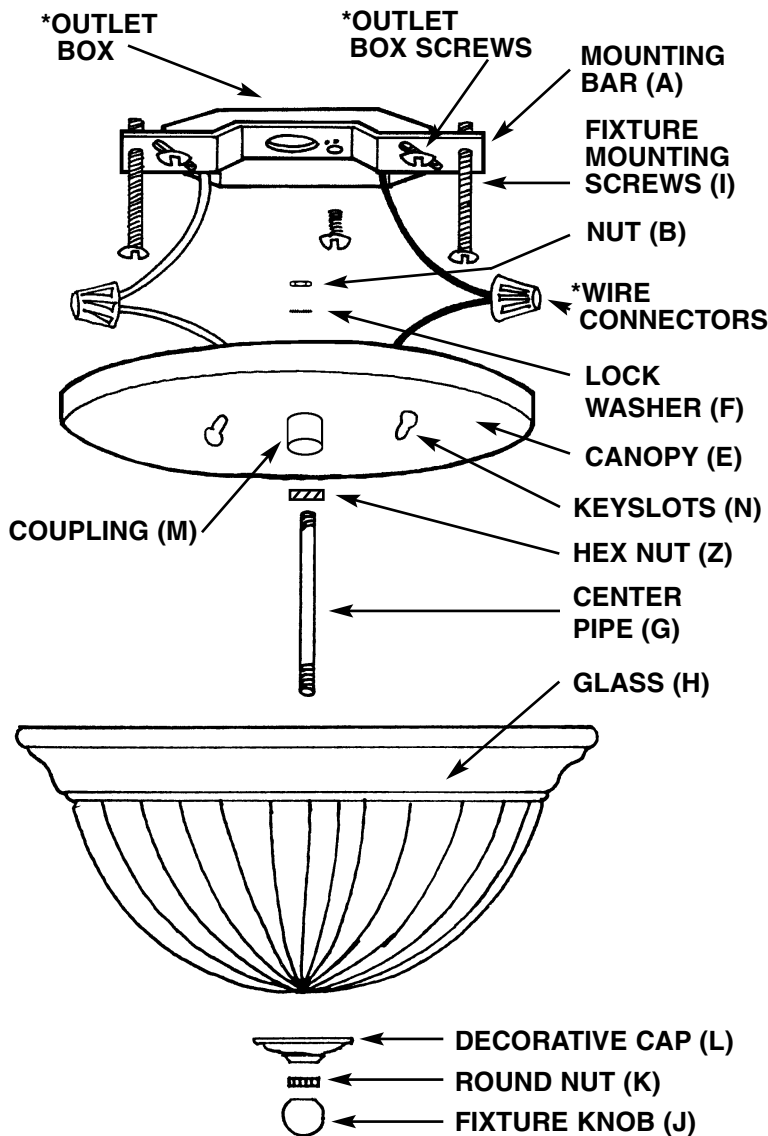


FIGURE 1

*NOT SUPPLIED

GROUNDING AND MOUNTING BAR LOCK UP

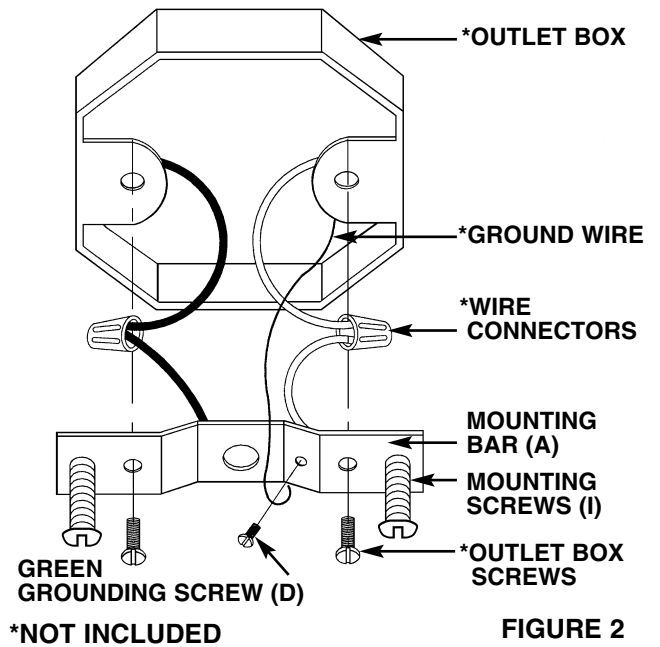


FIGURE 2

ASSEMBLY

HC-900

Carefully remove the fixture from the carton and check that all parts are included, as shown in Figure 1 & 2. Be careful not to misplace any of the screws or parts which are needed to install this fixture.

STEP 1:

NOTE: Center pipe (G) may not have a beaded end. If this is the case, thread the extra hex nut (Z) onto the center pipe and continue with Step 1.

When mounting center pipe (G), install beaded end of pipe through canopy. Lock in place with lockwasher (F) and nut (B). Tighten with pliers.

NOTE: (If applicable)

If canopy (E) has coupling (M) installed to it, thread center pipe (G) into it.

INSTALLATION

IMPORTANT: DO NOT ATTACH FIXTURE DIRECTLY TO OUTLET BOX.

STEP 1:

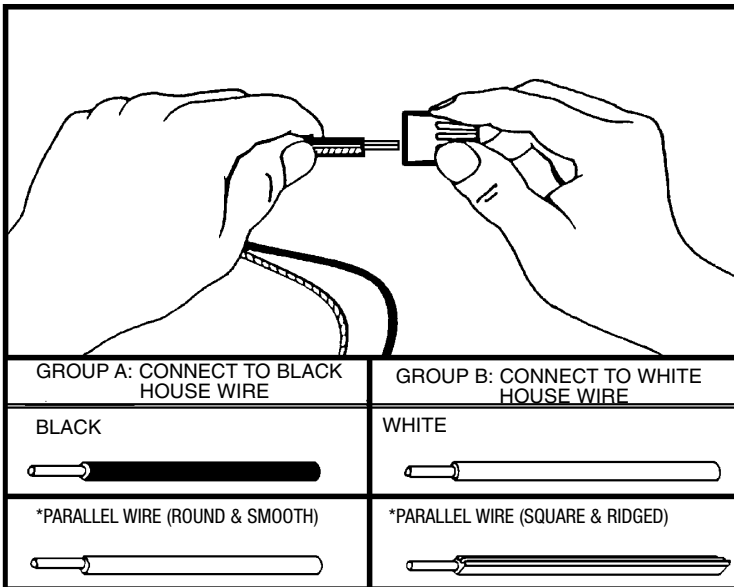
Secure mounting bar (A) to outlet box with outlet box screws (not supplied). Raised side is top as illustrated.

STEP 2:

Thread fixture mounting screws (I) into threaded holes of mounting bar (A) 3 turns each.

STEP 3:

A. Take note of the color of the wire(s) on your fixture. Identify which group your fixture wire(s) falls into and connect the wires according to the directions below:



*NOTE: When parallel wire is used, the tracer wire is square shaped or ridged, and the less tracer wire is round in shape or smooth. (Seen best when viewed from wire end.) To separate wires, grasp the ends of each wire and pull apart.

B. Take your fixture wire(s) from group A and place evenly against the black wire from the outlet box. **Do Not** twist wires together before using wire connectors.

C. Fit a wire connector (not supplied) over the wires and screw the connector clockwise until you feel a firmness.

D. Try gently to pull the connector off the wires. If you can pull the connector off, carefully re-do steps B and C, as above, and check again for a firm connection.

E. Connect the fixture wire from group B to the white wire from the outlet box in the same manner.

STEP 4:

GROUNDING INSTRUCTIONS: The green grounding screw (D) is to be inserted into the hole with two raised dimples provided on the mounting bar (A). Wrap the ground wire from the fixture (if supplied) and the ground wire from the outlet box (bare metal or green insulated wire) around the green grounding screw (D) on the mounting bar (A). If uninsulated ground wire is on the mounting bar, connect the ground wire from the fixture (if supplied) and the outlet box to it using a small wire connector (not supplied) (See Figure 2). NOTE: Underwriters Laboratories (U.L.) does not require all fixtures to have ground wires. These fixtures still meet all U.L. specifications. The listing mark of Underwriters on the product identifies products manufactured under its listing and Follow-Up Service Programs.

NEVER CONNECT GROUND WIRE TO BLACK OR WHITE POWER SUPPLY WIRES.

FINAL ASSEMBLY

Make sure no bare wires can be seen outside wire connectors.

STEP 1:

After wires are connected, tuck them carefully inside outlet box. Raise the canopy (E) to the ceiling allowing for mounting screws (I) to protrude through key slots (N). Rotate canopy (E) clockwise until screws (I) are in narrow part of keyslot (N). Tighten screws (I) with screwdriver.

STEP 2:

Install lamps.

STEP 3:

Raise glass (H) and decorative cap (L) to canopy so that center pipe (G) protrudes through hole in decorative cap (I). Secure in place with round nut (K) (If applicable), and fixture knob (J).

CLEANING

To clean, wipe fixture with a soft cloth. Clean glass with a mild soap. Do not use abrasive materials such as scouring pads or powders, steel wool or abrasive paper.

ORDERING PARTS

Keep this sheet for future reference, and in case you need to order replacement parts. All parts for this fixture can be ordered from place of purchase. Be sure to use exact wording from illustration when ordering parts.

BALLAST REPLACEMENT

TURN POWER OFF.

Carefully remove glass by following the glass installation instructions in reverse. Separate the 120v connection of the ballast from the supply wire by removing wire nuts.

Disconnect the secondary ballast wires to the socket by inserting a small screwdriver into the rear of the socket to release the wire lead. Remove ballast mounting screws and remove ballast from fixture assembly. Replace ballast with the same model, secure ballast to fixture assembly, insert secondary ballast wires by pushing them into the rear of the socket, and make proper wiring connections to the supply wire.