

FOR YOUR SAFETY

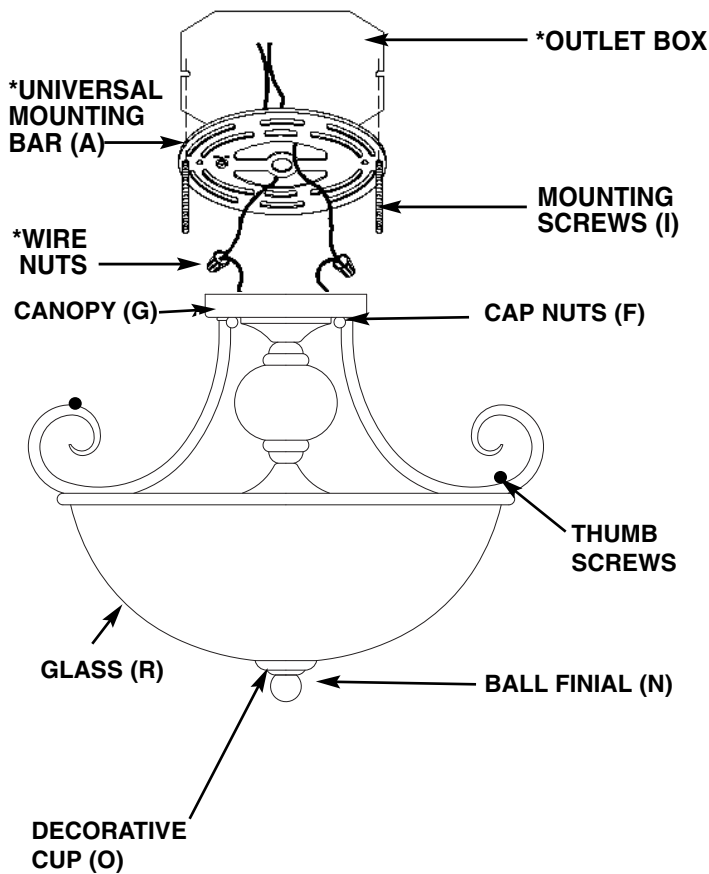
WARNING: BE SURE THE ELECTRICITY TO THE WIRES YOU ARE WORKING ON IS SHUT OFF; EITHER THE FUSE IS REMOVED OR THE CIRCUIT BREAKER IS SHUT OFF .

GENERAL

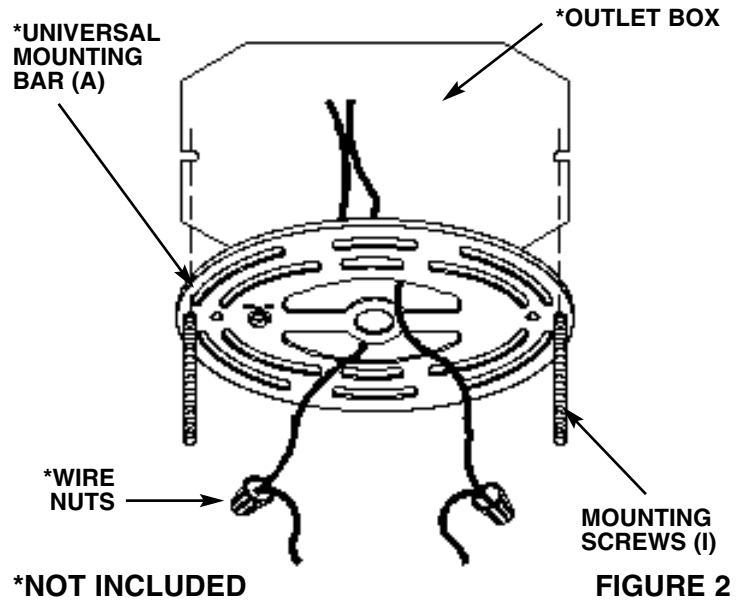
You don't need special tools to install this fixture. Be sure to follow the steps in the order given. Read instructions carefully. **If you are unclear as to how to proceed, consult a qualified electrician.**

***NOT SUPPLIED**

FIGURE 1



GROUNDING AND MOUNTING BAR LOCK UP



ASSEMBLY

Carefully remove the fixture from the carton and check that all parts are included, as shown in Figures 1 & 2. Be careful not to misplace any of the screws or parts which are needed to install this fixture.

FOR CHAIN-HUNG

STEP 1:

Install fixture loop to fixture canopy (G) and secure with lock washer and nut (if applicable).

WARNING: TO REDUCE THE RISK OF FIRE, ELECTRIC SHOCK OR PERSONAL INJURY, MOUNT TO OUTLET BOX OR SUPPORTING SYSTEM ABLE TO SUPPORT THE WEIGHT OF THE FIXTURE.

INSTALLATION**HC-895**

IMPORTANT: DO NOT ATTACH FIXTURE DIRECTLY TO OUTLET BOX.

STEP 1: FOR FLUSH MOUNT

Thread fixture mounting screws (I) in through top of mounting bar (A). Run screw threads all the way down to the heads. Secure mounting bar (A) to outlet box with outlet box screws (not supplied).

STEP 2: FOR CHAIN HUNG ONLY (STEPS 2-4)

Secure mounting bar to outlet box with outlet box screws (not supplied). Thread nut on nipple so that 3 threads are exposed above nut. Thread nipple into mounting bar and secure with nut. Attach screw collar to nipple.

STEP 3:

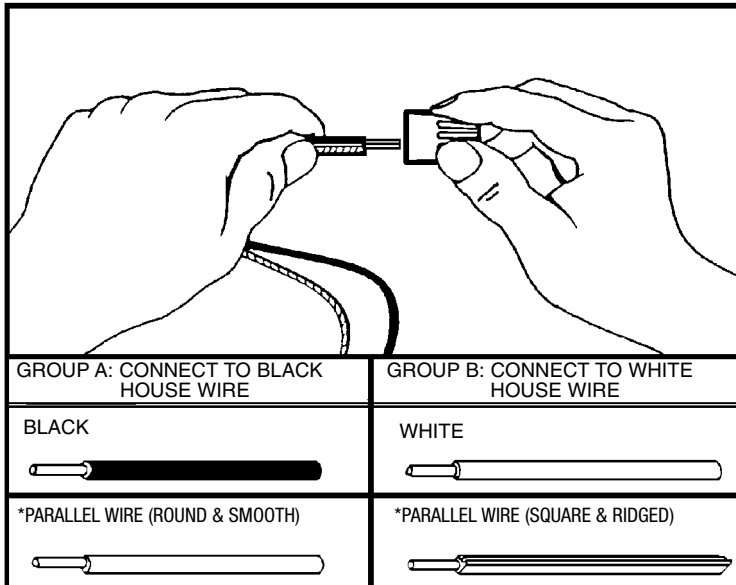
Using 2 pairs of pliers, open one link of chain (S) and connect it to the fixture loop (B) at the top of the fixture. Open one link on the other end of the chain (S) and attach it to the canopy loop (E). **BE SURE TO CLOSE ALL CHAIN LINKS COMPLETELY.**

STEP 4:

Lace wires up through chain (S) and pass wires through hole in canopy loop (E). We recommend lacing wire up through every other link of chain (S).

WIRING INSTRUCTIONS:

A. Take note of the color of the wire(s) on your fixture. Identify which group your fixture wire(s) falls into and connect the wires according to the directions below:



*Note: When parallel wire is used, the tracer wire is square shaped or ridged and less tracer wire is round in shape or smooth. (Seen best when viewed from wire end.) To separate wires, grasp the ends of each wire and pull apart.

B. Take your fixture wire(s) from group A and place evenly against the black wire from the outlet box. **DO NOT** twist wires together before using wire connectors.

C. Fit a wire connector (not supplied) over the wires and screw the connector clockwise until you feel a firmness.

D. Try gently to pull the connector off the wires. If you can pull the connector off, carefully re-do steps B and C, as above and check again for a firm connection.

E. Connect the fixture wire from group B to the white wire from the outlet box in the same manner.

GROUNDING INSTRUCTIONS:

The green grounding screw (D) is to be inserted into the hole with two raised dimples provided on the mounting bar (A). Wrap the ground wire from the fixture (if supplied) and the ground wire from the outlet box (bare metal or green insulated wire) around the green grounding screw (D) on the mounting bar (A). If uninsulated wire is on the mounting bar (A), connect the ground wire from the fixture (if supplied) and the outlet box to it using a small wire connector (not supplied).

NOTE: Underwriters Laboratories (U.L.) does not require all fixtures to have ground wires. These fixtures still meet all U.L. specifications. The listing mark of Underwriters on the product identifies products manufactured under its listing and Follow-Up Service Programs.

NEVER CONNECT GROUND WIRE TO BLACK OR WHITE POWER SUPPLY WIRES.

FINAL ASSEMBLY

Make sure no bare wires can be seen outside wire connectors.

STEP 1: FOR FLUSH MOUNT

After wires are connected, tuck them carefully inside outlet box and then raise the canopy (G) against ceiling allowing for mounting screws (I) to protrude through holes in canopy (G). Secure in place with cap nuts (F).

STEP 2: FOR CHAIN HUNG

After wires are connected, tuck them carefully inside outlet box and raise the canopy (G) against the ceiling and screw the screw collar ring to screw collar.

STEP 3:

Install lamps.

STEP 4:

Raise glass (R) to fixture body allowing center pipe to protrude through glass (R). Secure with rubber washer, decorative cap (O) and ball finial (N).

STEP 5:

Install glass lamp cover above lamps. Use thumb screws to secure lamp cover in place.

CLEANING

To clean, wipe fixture body with a soft cloth. Clean glass with a mild soap. Do not use abrasive materials such as scouring pads or powders, steel wool or abrasive paper.

ORDERING PARTS

Keep this sheet for future reference, and in case you need to order replacement parts. All parts for this fixture can be ordered from place of purchase. Be sure to use exact wording from illustration when ordering parts.