

IMPORTANT SAFETY INSTRUCTIONS

- Be sure the electricity to the system you are working on is turned off; either the fuse removed or the circuit breaker set at off.
- Use of other manufacturers components will void warranty, listing and create a potential safety hazard.
- You don't need special tools to install this fixture.
- Be sure to follow the steps in the order given.
- Read instructions carefully.
- Proper wiring is essential for the safe operation of this fixture.
- Save these instructions.

CLEANING

To clean, wipe fixture with a soft cloth. Clean glass with a mild soap. Do not use abrasive materials such as scouring pads or powders, steel wool or abrasive paper.

ORDERING PARTS

Keep this sheet for future reference, and in case you need to order replacement parts. Parts for this fixture can be ordered from place of purchase. Be sure to use exact wording from illustration when ordering parts.

BEFORE YOU BEGIN

Carefully remove the fixture from the carton and check that all parts are included, as shown in figure 1. Be careful not to misplace any of the screws or parts which are needed to install this fixture.

INSTALLATION

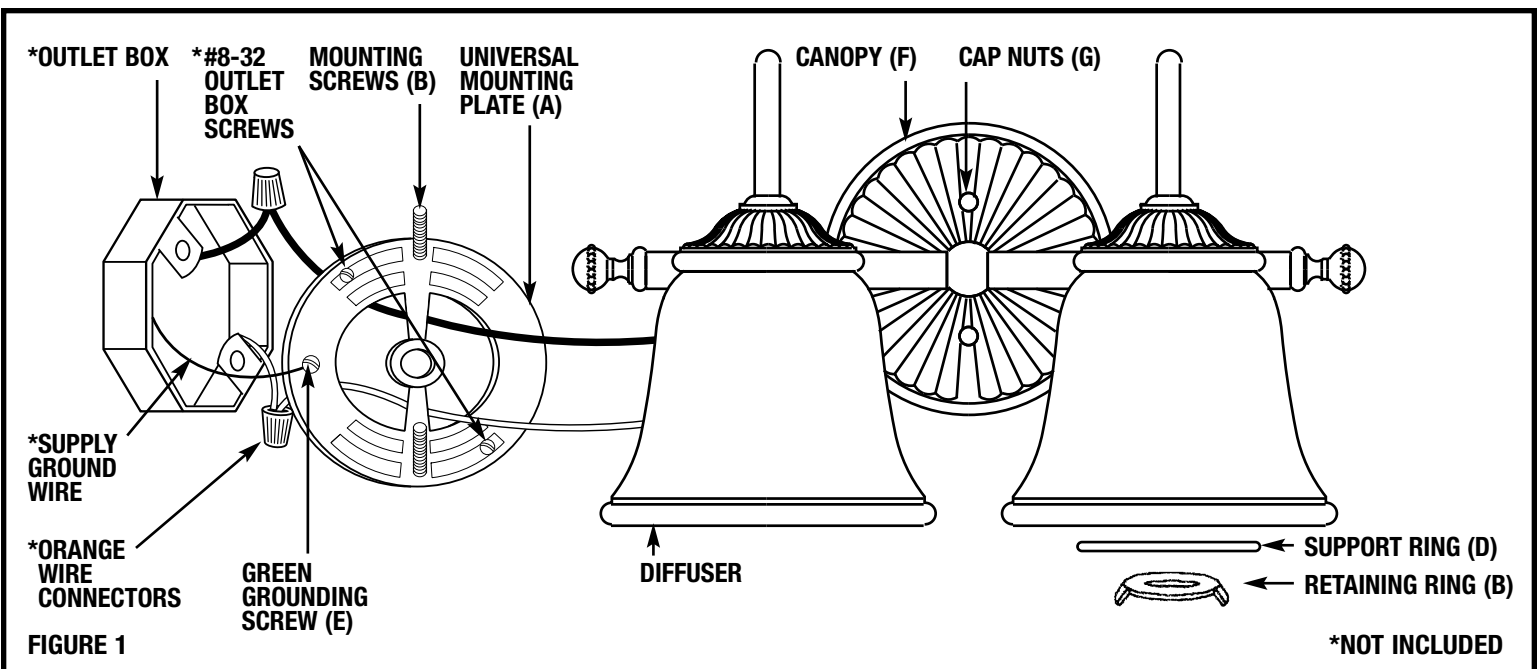
IMPORTANT: DO NOT ATTACH FIXTURE DIRECTLY TO OUTLET BOX.

STEP 1:

Insert fixture mounting screws (B) into threaded holes of universal mounting plate (A). Run screws all the way down to the heads.

STEP 2:

Place universal mounting plate (A) against outlet box (not supplied) and screw in place using #8-32 outlet box screws (not supplied). Be sure the mounting screws (B) are perfectly vertical so fixture hangs straight.



STEP 3:

- A.** Use an orange listed wire connector to connect the 18AWG fixture hot wire (black wire, or round and smooth tracer) to the supply hot wire.
- B.** Use an orange listed wire connector to connect the 18AWG fixture common wire (white wire, or square and rigid) to the supply common wire.
- C.** Gently try to remove the wires from the connector. If you can remove the wires, carefully re-do the wiring connection.

STEP 4:

GROUNDING INSTRUCTIONS: The green grounding screw (E) is to be inserted into the hole with two raised dimples provided on the universal mounting plate (A). Wrap the ground wire from the outlet box (bare metal or green insulated wire) around the green grounding screw (E) on the universal mounting plate (A) and tighten the green grounding screw to secure.

NEVER CONNECT GROUND WIRE TO BLACK OR WHITE POWER SUPPLY WIRES.

FINAL ASSEMBLY

Make sure no bare wires can be seen outside wire connectors.

STEP 1:

After wires are connected, tuck them carefully inside the outlet box. Position canopy (F) over mounting screws (B) and secure in place with cap nuts (G).

STEP 2:

Install diffuser (A) and support ring (D) if necessary, over socket and secure with retaining ring (B).

STEP 3:

Install self ballasted lamp (C) by gently twisting into socket.

CLEANING

To clean, wipe fixture body with a soft cloth. Clean glass with a mild soap. Do not use abrasive materials such as scouring pads or powders, steel wool, or abrasive paper.

ORDERING PARTS

Keep this sheet for future reference, and in case you need to order replacement parts. Parts for this fixture can be ordered from place of purchase. Be sure to use exact wording from illustration when ordering parts.

ONE PIECE LAMP/BALLAST COMBINATION

ONE PIECE LAMP/
BALLAST
COMBINATION (C)

SOCKET

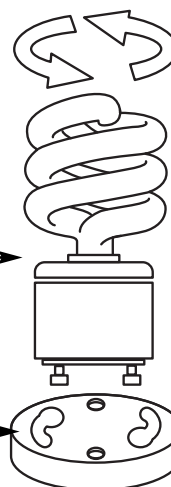


FIGURE 2