

# INSTALLATION AND SAFETY INSTRUCTIONS

## IMPORTANT SAFETY INSTRUCTIONS

- Be sure the electricity to the system you are working on is turned off; either the fuse removed or the circuit breaker set at off.
- Use of other manufacturers components will void warranty, listing and create a potential safety hazard.
- If you are unclear as to how to proceed, contact a qualified electrician.
- You don't need special tools to install this fixture.
- Be sure to follow the steps in the order given.
- Read instructions carefully.
- Proper wiring is essential for the safe operation of this fixture.
- Save these instructions.

## BEFORE YOU BEGIN

Carefully remove the fixture from the carton and check that all parts are included, as shown in figure 1 and 2. Be careful not to misplace any of the screws or parts which are needed to install this fixture.

## IMPORTANT SAFETY INSTRUCTIONS

This lamp has a polarized plug (one blade is wider than the other). As a safety feature, this plug will fit in a polarized outlet only one way. If the plug does not fit fully in the outlet, reverse the plug. If it still does not fit, contact a qualified electrician. Never use with an extension cord unless plug can be fully inserted. Do not attempt to defeat this safety feature.

**NOTE: FOR FIXTURES PROVIDED WITH 75°C OR 90°C SUPPLY WIRE WARNING ONLY (THESE WARNINGS ARE PROVIDED ON THE LABEL AND ON THE FIXTURE CARTON): RISK OF FIRE. MOST DWELLINGS BUILT BEFORE 1985 HAVE SUPPLY WIRE RATED 60° C. CONSULT A QUALIFIED ELECTRICIAN BEFORE INSTALLING.**

\*WIRE CONNECTOR

\*OUTLET BOX  
SCREWS (K)

MOUNTING BAR  
FLAT STRAP (B)

MOUNTING  
SCREWS (I)

MOUNTING BAR  
OFFSET STRAP (C)

\*OUTLET BOX

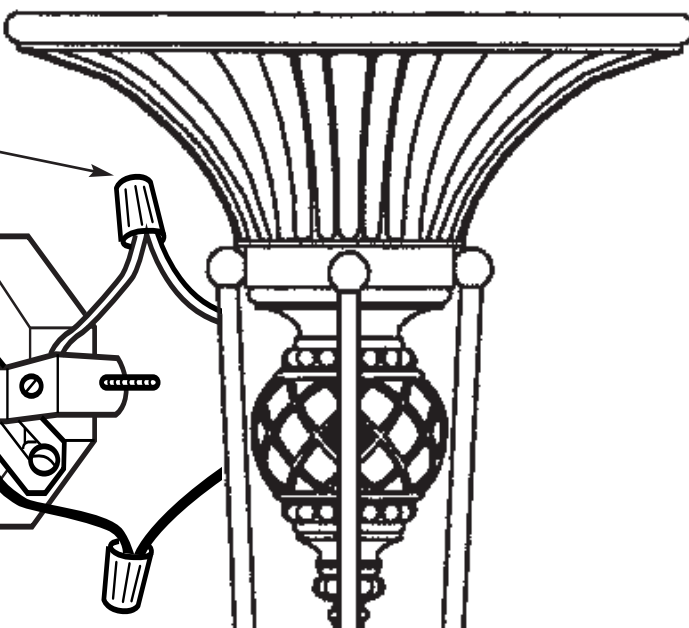


FIGURE 1  
\*NOT SUPPLIED

## GROUNDING

GROUNDING WIRE

\*OUTLET BOX  
SCREWS (K)

MOUNTING BAR  
OFFSET STRAP (C)

GREEN  
GROUNDING SCREW (G)

\*WIRE  
CONNECTOR

FIXTURE  
MOUNTING  
SCREWS (I)

MOUNTING BAR  
FLAT STRAP (B)

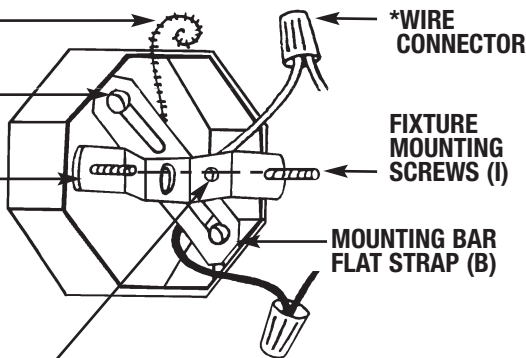


FIGURE 2  
\*NOT SUPPLIED



**sea gull lighting®**

**Installation And  
Safety Instruction**

**HC-607 111607**

Line art shown may not exactly match the fixture enclosed. However, the installation instructions do apply to this fixture.

Fill In Item Number On Carton And  
File This Sheet For Fixture Reference. ITEM# \_\_\_\_\_

As this is a convertible-type fixture, determine if your fixture is to be installed as shown in Figures 1 & 2 or as a portable lamp.

## HARDWIRE INSTALLATION

HC-607

**IMPORTANT: DO NOT ATTACH FIXTURE DIRECTLY TO OUTLET BOX.**

### STEP 1:

Hold mounting bar with flat strap (B) behind offset strap (C). Rotate straps so they are at right angles to one another. Insert fixture mounting screws (I) in threaded holes of offset strap (C). Run screws all the way down to the heads.

### STEP 2:

Place flat strap (B) of mounting bar against outlet box (not supplied) and fasten mounting bar, through slots in flat strap (B), to outlet box with outlet box screws (K) (not supplied). Be sure the mounting screws are perfectly horizontal so fixture hangs straight.

### STEP 3:

To remove wire connectors located inside the cup (J): remove the nut from the nipple, and remove small plate. Turn the wire connectors counter clockwise. Carefully separate the black and white lampholder lead wires from the cord. NOTE: It may be necessary to remove the (4) top screws on back-plate. Bend backplate back, then proceed with the beginning of Step 3.

### STEP 4:

Pull the cord wire up several inches from the cup until a knot is visible.

### STEP 5:

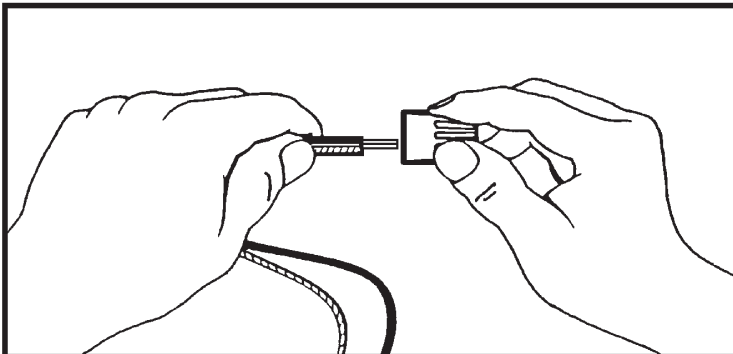
Cut the cord just below the knot. While firmly holding the fixture, pull on the cord from the other (plug) end until free from the fixture. There should be three wires remaining in the fixture cup (J): a black wire, a white wire, and a bare copper wire, if applicable.

### STEP 6:

Insert the black and white lampholder lead wires and ground wire (if applicable) through the wire exit hole (L).

### STEP 7:

- A. Take note of the color of the wire(s) on your fixture. Identify which group your fixture wire(s) falls into and connect the wires according to the directions below:
- B. Take your fixture wire(s) from group A and place evenly against the black wire from the outlet box. **DO NOT** twist wires together before using wire connectors.
- C. Fit a wire connector (not supplied) over the wires and thread the connector clockwise until you feel a firm resistance.



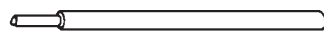
GROUP A: CONNECT TO BLACK HOUSE WIRE

GROUP B: CONNECT TO WHITE HOUSE WIRE

BLACK



WHITE



\*PARALLEL WIRE (ROUND & SMOOTH)



\*PARALLEL WIRE (SQUARE & RIDGED)



\*NOTE: When parallel wire is used, the tracer wire is square shaped or ridged, and the less tracer wire is round in shape or smooth. (Seen best when viewed from wire end.) To separate wires, grasp the ends of each wire and pull apart.

D. Gently try to remove the wires from the connector. If you can remove the wires, carefully re-do steps B and C, as above, and check again for a firm connection.

E. Connect the fixture wire from group B to the white wire from the outlet box in the same manner.

### STEP 8:

**GROUNDING INSTRUCTIONS:** The green grounding screw (G) is to be inserted into the hole with two raised dimples provided on the mounting bar (C). Wrap the ground wire from the fixture (if supplied) and the ground wire from the outlet box (bare metal or green insulated wire) around the green grounding screw (G) on the mounting bar (C). If uninsulated ground wire is on the cross mounting bar, connect the ground wire from the fixture (if supplied) and the outlet box to it using a small wire connector (not supplied) (See Figure 2). **NEVER CONNECT GROUND WIRE TO BLACK OR WHITE POWER SUPPLY WIRES.**

## HARDWIRE FINAL ASSEMBLY

**Make sure no bare wires can be seen outside wire connectors.**

### STEP 1:

After wires are connected, tuck them carefully inside the outlet box. Position back plate (A) over mounting screws (I) and secure in place with small cap nuts (H).

### STEP 2:

Install lamps.

### STEP 3:

Slide diffuser (D) between back plate (A) and decorative band (E).

### STEP 4:

Locate fastening bracket at bottom of fixture and attach to wall with provided wood screws.

## PORTABLE LAMP INSTALLATION

### STEP 1:

Determine mounting location on wall.

### STEP 2:

Insert moly bolt anchors (not supplied) into wall corresponding with holes in the mounting bar (B).

### STEP 3:

Hold mounting bar with flat strap (B) behind offset strap (C). Rotate straps so they are at right angles to one another. Insert fixture mounting screws (I) in threaded holes of offset strap (C). Run screws all the way down to the heads.

### STEP 4:

Mount mounting bar (B) against wall surface using moly bolts screws (not supplied). **Note: It may be necessary to drill two holes into the wall for the mounting screws (I).**

### STEP 5:

Position back plate (A) over mounting screws (I) and secure in place with small cap nuts (H).

### STEP 6:

Install lamp.

### STEP 7:

Slide diffuser (D) between back plate (A) and decorative band (E).

### STEP 8:

Plug in lamp.

## CLEANING

To clean, wipe fixture with a soft cloth. Clean glass with a mild soap. Do not use abrasive materials such as scouring pads or powders, steel wool or abrasive paper.

## ORDERING PARTS

Keep this sheet for future reference, and in case you need to order replacement parts. Parts for this fixture can be ordered from place of purchase. Be sure to use exact wording from illustration when ordering parts.