

IMPORTANT SAFETY INSTRUCTIONS

- Be sure the electricity to the system you are working on is turned off; either the fuse removed or the circuit breaker set at off.
- Lighted lamp is HOT!
- To reduce the risk of FIRE or INJURY TO PERSONS: Turn off/unplug and allow to cool before replacing lamp.
- Lamp gets HOT quickly! Contact only switch/plug when turning on.
- Do not touch hot lens, guard, or enclosure.
- Keep lamp away from materials that may burn.
- Do not touch the lamp at any time. Use a soft cloth. Oil from skin may damage lamp.
- Do not operate the luminaire fitting with a missing or damaged shield.
- Do not install within 10' (1.52m) of a pool, spa, or fountain.
- WARNING: RISK OF ELECTRIC SHOCK – Install all luminaires 10' (3.05M) or more from a pool, spa, or fountain.
- The main low voltage cable is intended for shallow burial—less than 6" (152mm).
- When additional lengths of main low voltage cable are necessary, order Ambiance® landscape outdoor cable. Please visit SeaGullLighting.com to find a local distributor.
- Save these instructions.

ASSEMBLY

1. Determine if your fixture shade (A) attaches by threading onto the post (D) directly (figure 1) or if shade support post (G) hold it to the post (D) (figure 2).
 - (FIGURE 1) Threaded Installation: Unthread the shade (A) from fixture and remove diffuser (F). Install lamp (B) into socket (C), then reinstall diffuser (F) and thread shade (A) tightly onto post (D).
 - (FIGURE 2) Support Installation: Remove support screws (H) from support posts (G) and remove shade (A) by lifting off of support posts (G). Insert lamp (B) and reattach shade (A) by mounting onto support posts (G) and securing with support screws (H).
2. Take fixture wires (I) and guide them through stake (E). Thread post (D) onto stake (E) securely.

FINAL INSTALL

1. Connect fixture wire to supply cable using silicone filled wire nuts or other listed landscape connector.
2. Insert stake into trench and tamp ground around stake to secure in place.

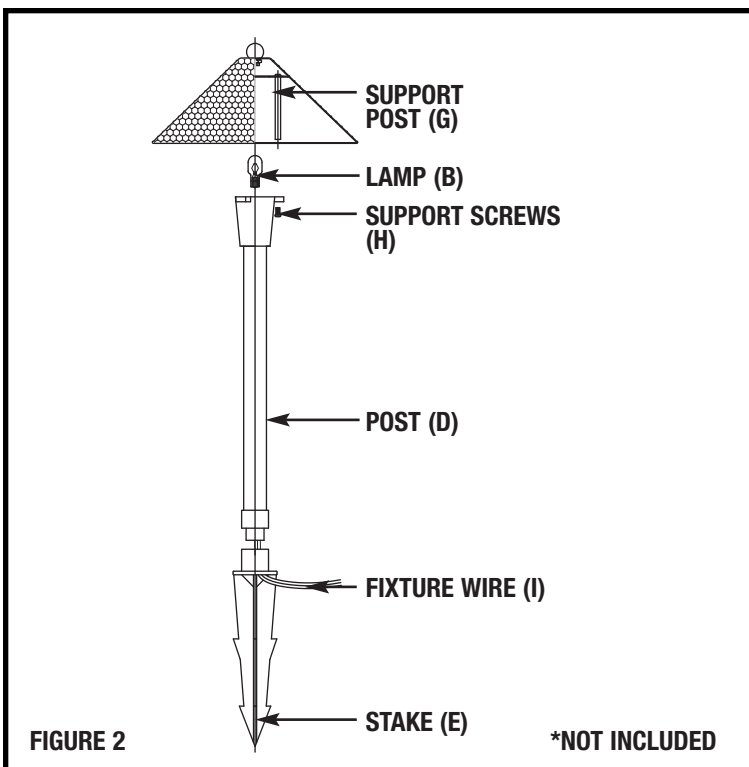
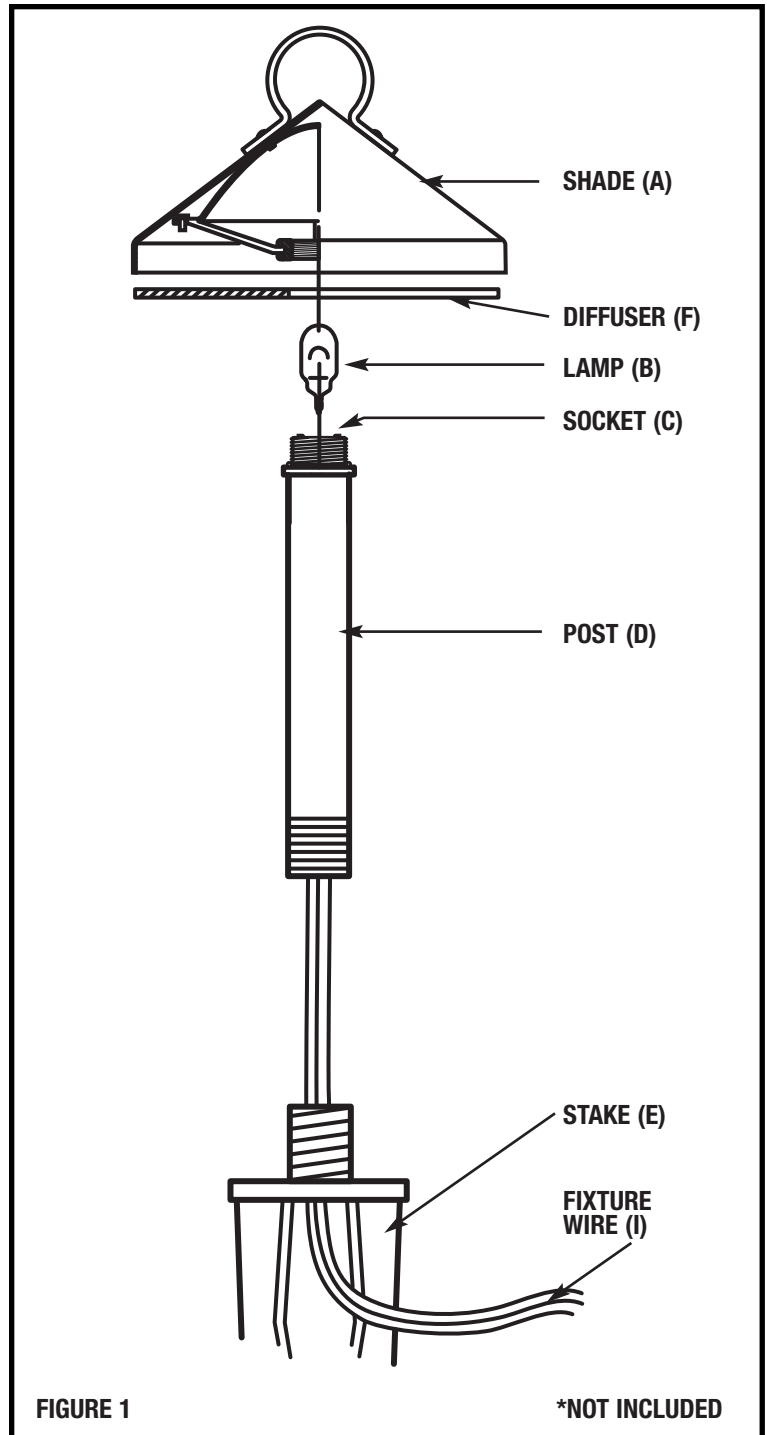


FIGURE 2

*NOT INCLUDED

FIGURE 1

*NOT INCLUDED

STEP 5:

- A. Take note of the color of the wire(s) on your fixture.
- *Note: When parallel wire is used, the tracer wire is square shaped or ridged and less tracer wire is round in shape or smooth (Seen best when viewed from wire end). To separate wires, grasp the ends of each wire and pull apart.
- B. Take your fixture hot wire (either black or round/smooth tracer) and place evenly against the black wire from the outlet box. **DO NOT** twist wires together before using wire connectors.
- C. Fit a wire connector (not supplied) over the wires and thread the connector clockwise until you feel a firm resistance.
- D. Gently try to remove the wires from the connector, If you can remove the wires, carefully re-do steps B and C, as above and check again for a firm connection.
- E. Connect the common fixture wire (either white or rigid/square tracer) to the white wire from the outlet box in the same manner.

STEP 6:

GROUNDING INSTRUCTIONS:

Connect the supply ground wire, fixture ground wire, and mounting bar ground wire (pre attached) using the supplied wiring connector. Gently try to remove the wires from the connector. If you can remove the wires, carefully re-do the wiring connection.

FINAL ASSEMBLY

Make sure no bare wires can be seen outside wire connectors.

STEP 7:

After wires are connected, tuck them carefully inside outlet box. Raise canopy (H) against ceiling and thread the screw collar ring (G) to the screw collar (E).

STEP 8:

Place glass (R) in socket cup (I) and secure by threading retaining ring (O) onto socket.

STEP 9:

Install lamps (not supplied).

