

Ceiling Fan Installation Instructions



***For Models: 1558 1559
1552 1555
1556 1557
1553***

Total fan weight
with light kit

READ AND SAVE THESE INSTRUCTIONS



Safety Tips

WARNING: TO REDUCE THE RISK OF FIRE, ELECTRIC SHOCK, OR INJURY TO PERSONS, OBSERVE THE FOLLOWING:
READ AND SAVE THESE INSTRUCTIONS

1. Installation work and electrical wiring must be done by qualified person(s) in accordance with all applicable codes and standards(ANSI/NFPA 70-1996), including fire-rated construction.
2. Use this unit only in the manner intended by the manufacturer. If you have any questions contact the manufacturer.
3. After making the wire connections, the wires should be spread apart with the grounded conductor and the equipment-grounding conductor on one side of the outlet box and ungrounded conductor on the other side of the outlet box.
4. Before you begin installing the fan, Switch power off at Service panel and lock service disconnecting means to prevent power from being switched on accidentally. When the service disconnecting means cannot be locked, securely fasten a prominent warning device, such as a tag, to the service panel.
5. Be cautious! read all instructions and safety information before installing your new fan. Review the accompanying assembly diagrams.
6. When cutting or drilling into wall or ceiling, do not damage electrical wiring and other hidden utilities.
7. Make sure the installation site you choose allows the fan blades to rotate without any obstructions. Allow a minimum clearance of 7 feet from the floor to the trailing edge of the blade.
8. To reduce the risk of fire, electric shock, or personal injury, mount to outlet box or supporting system marked suitable for fan support. (Mounting must support at least 35 lbs.)
9. Do not bend blade holders during installation to motor, balancing or during cleaning. Do not insert foreign object between rotating blades.
10. Attach the mounting bracket using only the hardware supplied with the outlet box.
11. To reduce the risk of fire or electric shock, do not use this fan with any solid state fan speed control device, or variable speed control.
12. If this unit is to be installed over a tub or shower, it must be marked as appropriate for the application.
13. NEVER place a switch where it can be reached from a tub or shower.
14. The combustion airflow needed for safe operation of fuel-burning equipment may be affected by this unit's operation. Follow the heating equipment manufacturer's guideline safety standards such as those published by the National Fire Protection Association (NFPA), and the American Society for Heating, Refrigeration and Air Conditioning Engineers (ASHRAE) and the local code authorities.
15. Before servicing or cleaning unit, Switch power off at Service panel and lock service disconnecting means to prevent power from being switched on accidentally. When the service disconnecting means cannot be locked, securely fasten a prominent warning device, such as a tag, to the service panel.

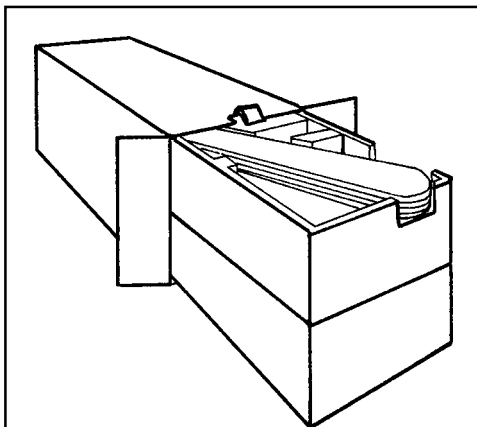
TOOLS REQUIRED

Phillips Screwdriver

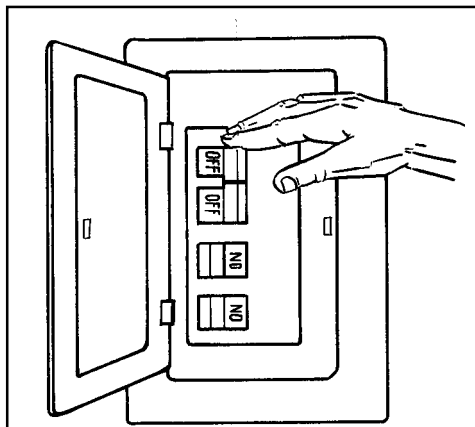
Wire Cutters

Pliers

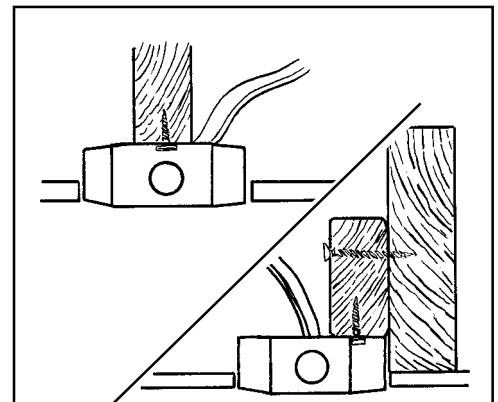
Step Ladder



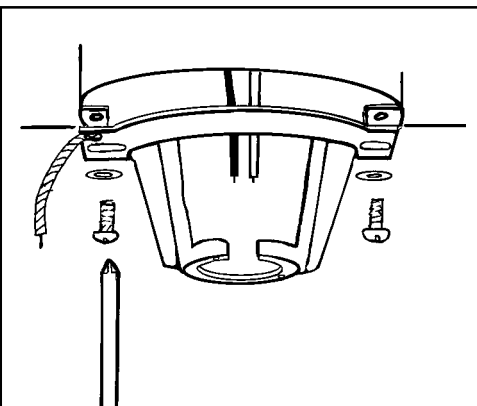
- 1** Unpack and inspect fan carefully to be certain all contents are included. (See exploded view parts list.)



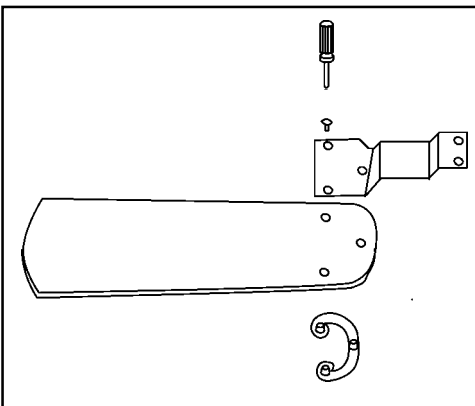
- 2** Turn off power at breaker box to avoid possible electrical shock.



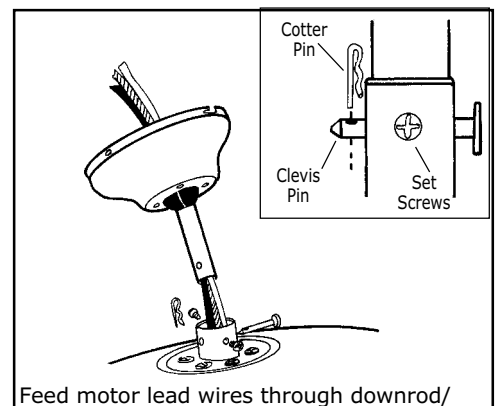
- 3** Use outlet box suitable for fan use. Secure outlet box directly to the building structure using ceiling joist screws (included). Outlet box must be able to support 35 lbs.



- 4** Install mounting plate to outlet box in ceiling using the two 8-32 screws and washers provided with outlet box.



- 5** Attach blade bracket to blades by first fitting decorative trim into the three holes in blade. Next, attach bracket to other side of blade with screws and washers provided.



- 6** Feed motor lead wires through downrod/canopy assembly and insert downrod into motor yoke. Next, insert clevis pin through yoke and downrod and secure with cotter pin. (see inset) Tighten both yoke set screws to further secure downrod.

Note:

After installation, please refer to operation, maintenance and troubleshooting sections in this manual.

7 Carefully lift fan assembly onto mounting bracket. Rotate fan so that the notch on the ball engages the ridge in the mounting bracket. This will allow hands-free wiring.

8 Before installing the remote receiver. Make sure the DIP switches in the Transmitter and receiver are set the same. Use instrument with a sharp point to move the switches into the proper positions. The Remote will not operate if this procedure is not done. If interference from outside transmitters or other remote devices is encountered, change the dip switch settings on both transmitter and receiver.

9 Carefully insert remote receiver into the Mounting Bracket. Make sure the Antenna is not pinched by running it through the Mounting Bracket first (FIG.A). Receiver should be located as pictured above (FIG.B). Make wiring connections as per step 12. Make sure that all wire nut connections are tight with no exposed conductors. Point connectors upward and push into the junction box.

WIRING DIAGRAM

10 Make connections as shown above. Make sure all exposed conductors are in the wire nuts. After all connections are made push wire nuts into junction box with wire nuts pointing upward. Note: Refer to Point 3 in Safety Tips Section.

11 Raise the canopy up and align the two holes in the canopy with the two holes in the hanger bracket. Secure with two 5/32 x 1/2" screws provided.

12 First connect plug from fan to light kit then install switch housing to switch housing plate. Using three screws provided, tighten.

13 Attach blade assembly to motor by inserting bracket into gap between top and bottom housing. Use opening in the light fitter to insert screwdriver, securing blade assembly to 3or with screws provided. Tighten securely.

14 Install 3 40 Watt candelabra based light bulbs to lampholder by gently tightening into place. Per illustration above. **CAUTION:** Do not touch bulb with bare hands! Attach glass shade and cage to fan body by aligning threaded pipe with hole in the center of the glass shade and cage. Lift both into position. Install Finial cap. Install finial nut and tighten to secure glass. **DO NOT OVERTIGHTEN.**

REMOTE OPERATION

15 Install 9v battery by removing battery cover on back of transmitter and connecting to terminals and re-install cover.
FAN SPEED Depress "low" for low speed, "med" for medium or "hi" for high. To turn fan off press "fan/off"
LIGHT DIMMER To turn light on, press light dimmer once quickly. To turn off press once quickly while the light is on. To dim light hold down button "light dimmer". The light will cycle from bright to dim to bright until button is released. Light will maintain last setting if turned off.
FORWARD REVERSE Press Forward/ Reverse button. Fan will stop and blades will reverse directions.

If you have difficulty operating your new ceiling fan, it may be the result of incorrect assembly, installation, or wiring. In some cases, these installation errors may be mistaken for defects. If you experience any faults, please check this Trouble Shooting Chart. If a problem cannot be remedied, or you are experiencing difficulty in installa-

TROUBLE

SUGGESTED REMEDY

1. If fan does not start:

1. Check main and branch circuit fuses or circuit breakers.
2. Check line wire connections to fan and switch wire connections in switch housing.

CAUTION: Make sure main power is turned off.

3. Make sure forward/reverse switch is firmly in up or down position. Fan will not operate when switch is in the middle.

2. If fan sounds noisy:

1. Check to make sure all screws in motor housing are snug (not over tightened).
2. Check to make sure the screws which attach the fan blade holder to the motor are tight.
3. Check to make sure wire nut connectors in switch housing are not rattling against each other or against the interior wall of the switch housing.

CAUTION: Make sure main power is turned off before entering switch housing.

4. Some fan motors are sensitive to signals from Solid State variable speed controls. DO NOT USE a Solid State variable speed control.
5. Allow "break-in" period of 24 hours. Most noises associated with a new fan will disappear after this period.
6. All blades are weighed and grouped by weight. Natural woods vary in density which could cause the fan to wobble even though all blades are weight-matched. The following procedures should eliminate most of the wobble. Check for wobble after each step.

3. If fan wobbles:

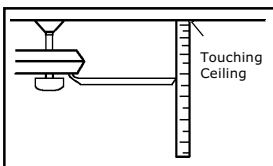


Figure 1

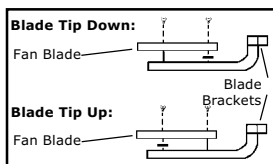


Figure 2

1. Check that all blades are screwed firmly into blade holders.
2. Check that all blade holders are tightened securely to motor.
3. Make sure that canopy and mounting bracket are tightened securely to ceiling junction box and junction box is mounted firmly to ceiling joist.
4. Most fan wobble problems are caused when blade levels are unequal. Check this level by selecting a point on the ceiling above the tip of one of the blades. Measure this distance as shown in Figure 1. Keeping measure within 1/8", rotate the fan until the next blade is positioned for measurement. Repeat for each blade. If all blade levels are not equal, you can adjust blade levels by the following procedure. To adjust a blade tip down, insert a washer (not supplied) between the blade and blade holder at the screw closest to the motor (Figure 2). To adjust a blade tip up, insert washer (not supplied) between the blade and blade holder at the two screws farthest from the motor (Figure 2). (Note: For fans with floating blade holders, washers must be placed on the top of the blade and under the blade arm. Washer on outer-most holes will cause the blades to point down and washers on the inner screws will cause the blade to point up.
5. If blade wobble is still noticeable, interchanging two adjacent (side by side) blades can redistribute the weight and possibly result in smoother operation.

4. If light does not work:

1. Check blue wire from fan to make sure it is connected to blue wire from Remote Receiver.
2. Check for loose or disconnected wires in fan switch housing.
3. Check for faulty light bulbs.

CAUTION: Make sure main power is turned off before entering switch housing.

sea gull lighting

FOR TECHNICAL SUPPORT CALL:
(866) 449-2821

03/13/98 REV.A CHANGE SAFETY TIPS TO 15 POINT VERSION, ADD FAN WEIGHT
BOX.
11/5/98 REV.B ADDED LIGHT KIT INSTALLATION ILLUSTRATION TO PAGE #3
11/3/2000 REV.C CHANGED WIRING OF REMOTE AND REMOTE TRANSMITTER
DIAGRAM, CHANGED MOUNTING SYSTEM TO SIDE SCREW
12/27/2000 REV.D Change to 2 bottom hole canopy system