

INSTALLATION AND SAFETY INSTRUCTIONS

IMPORTANT SAFETY INSTRUCTIONS

- Be sure the electricity to the system you are working on is turned off; either the fuse removed or the circuit breaker set at off.
- Use of other manufacturers components will void warranty, listing and create a potential safety hazard.
- If you are unclear as to how to proceed, contact a qualified electrician.
- Proper wiring is essential for the safe operation of this fixture.
- You don't need special tools to install this fixture.
- Be sure to follow the steps in the order given.
- Under no circumstances should a fixture be hung on house electrical wires, nor should a swag type fixture be installed on a ceiling which contains a radiant type heating system.
- These fixtures are equipped with a Hi/Low switch. Dimming these fixtures is not recommended.
- Do not operate the luminaire with a missing or damaged shield.
- Risk of fire or electrical shock, connect only to other lights. Do not exceed 6 units or 240 watts maximum.
- Bulb gets hot quickly! Turn off and allow to cool before replacing bulb.
- Do not look directly at lighted bulb.
- Risk of fire. For fixtures 9818, 9819, and 9820: use 12 volt T5 wedge base 18w max xenon light bulb (#9774). For fixtures 98121, 98122, and 98123: use 120v T4 G9 halogen 35w max light bulb (#97032-32).
- Risk of fire. Keep away from combustible materials. Dimming halogen lamps greatly reduces lamp life.
- Be sure there is 12" of space around each side of the fixture to dissipate heat.
- Read instructions carefully.
- Save these instructions.

WARNING: FOR FIXTURES PROVIDED WITH 75° C OR 90° C SUPPLY WIRE WARNING ONLY (THESE WARNINGS ARE PROVIDED ON THE LABEL AND ON THE FIXTURE CARTON).

WARNING: RISK OF FIRE. MOST DWELLINGS BUILT BEFORE 1985 HAVE SUPPLY WIRE RATED 60° C. CONSULT A QUALIFIED ELECTRICIAN BEFORE INSTALLING.

BEFORE YOU BEGIN

Carefully remove the fixture from the carton and check that all parts are included, as shown in figure 1 and 2. Be careful not to misplace any of the screws or parts which are needed to install this fixture.

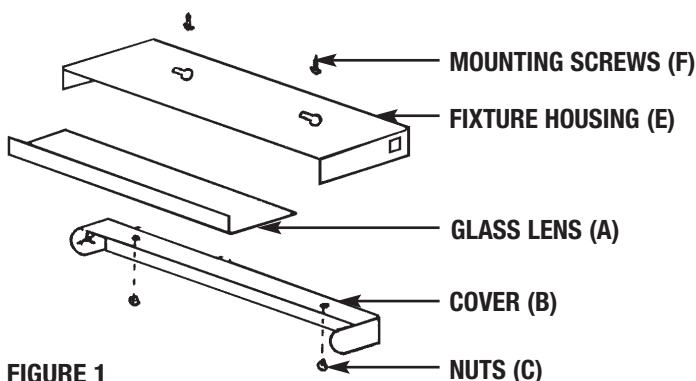


FIGURE 1

STEP 1:

Remove glass lens (A). Remove cover (B) by taking off the (2) nuts (C) inside fixture.

STEP 2:

Knock out hole for power supply in fixture housing (E). In the knocked-out hole insert a "Romex Type" connector (not supplied) or a "BX type" connector (not supplied) which-ever is applicable. Feed supply wires through it and secure the wires in place.

STEP 3:

NOTE: Undercabinet mount only.
Mount fixture housing in desired location using mounting screws (F).

STEP 4:

Attach black wire (or red wire which ever is applicable) from switch wire, with a wire connector (not supplied) to the black supply wire.

STEP 5:

Attach white wire from fixture, to the white supply wire using a wire connector (not supplied).

GROUNDING INSTRUCTIONS: Connect the ground wire from the fixture (if supplied) and the ground wire from the supply wires using a small wire connector (not supplied).

NEVER CONNECT GROUND WIRE TO BLACK OR WHITE POWER SUPPLY WIRES.

FINAL ASSEMBLY

STEP 1:

After wires are connected, replace cover (B). Secure with nuts (C).

STEP 2:

Install lamp(s).

STEP 3:

Install glass lens (A).



sea gull lighting®

Installation And Safety Instruction

HC-528 061608

Line art shown may not exactly match the fixture enclosed. However, the installation instructions do apply to this fixture.

Fill In Item Number On Carton And File This Sheet For Fixture Reference. ITEM# _____