

# INSTALLATION AND SAFETY INSTRUCTIONS

## FOR YOUR SAFETY

**WARNING: BE SURE THE ELECTRICITY TO THE WIRES YOU ARE WORKING ON IS SHUT OFF; EITHER THE FUSE REMOVED OR THE CIRCUIT BREAKER SET AT OFF.**

## GENERAL

You don't need special tools to install this fixture. Be sure to follow the steps in the order given. Under no circumstances should a fixture be hung on house electrical wires, nor should a swag type fixture be installed on a ceiling which contains a radiant type heating system. Read instructions carefully. **If you are unclear as to how to proceed, consult a qualified electrician.**

## CAUTION:

Fixtures with photo-cells should be mounted at least 48" from all sides to avoid reflection of light back onto Photo-cell, causing the Photo-cell to malfunction or flicker.

## ASSEMBLY

### STEP 1:

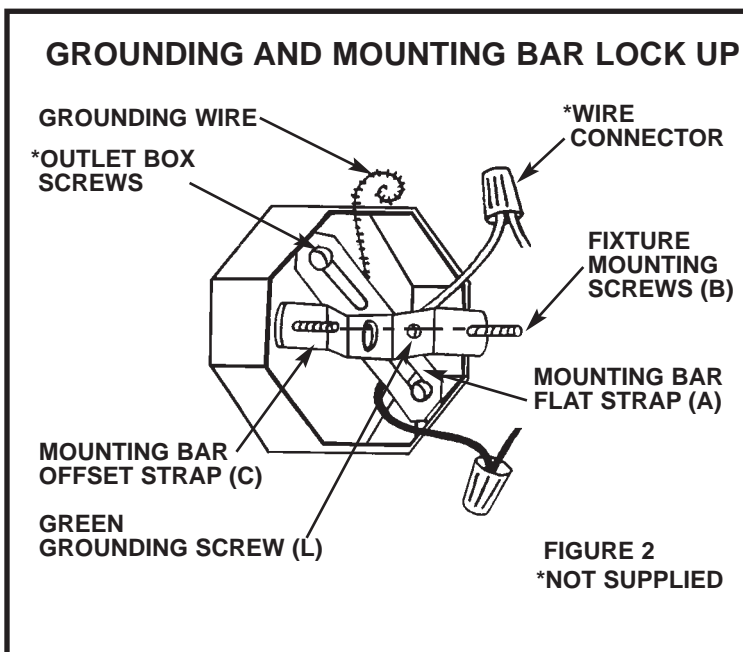
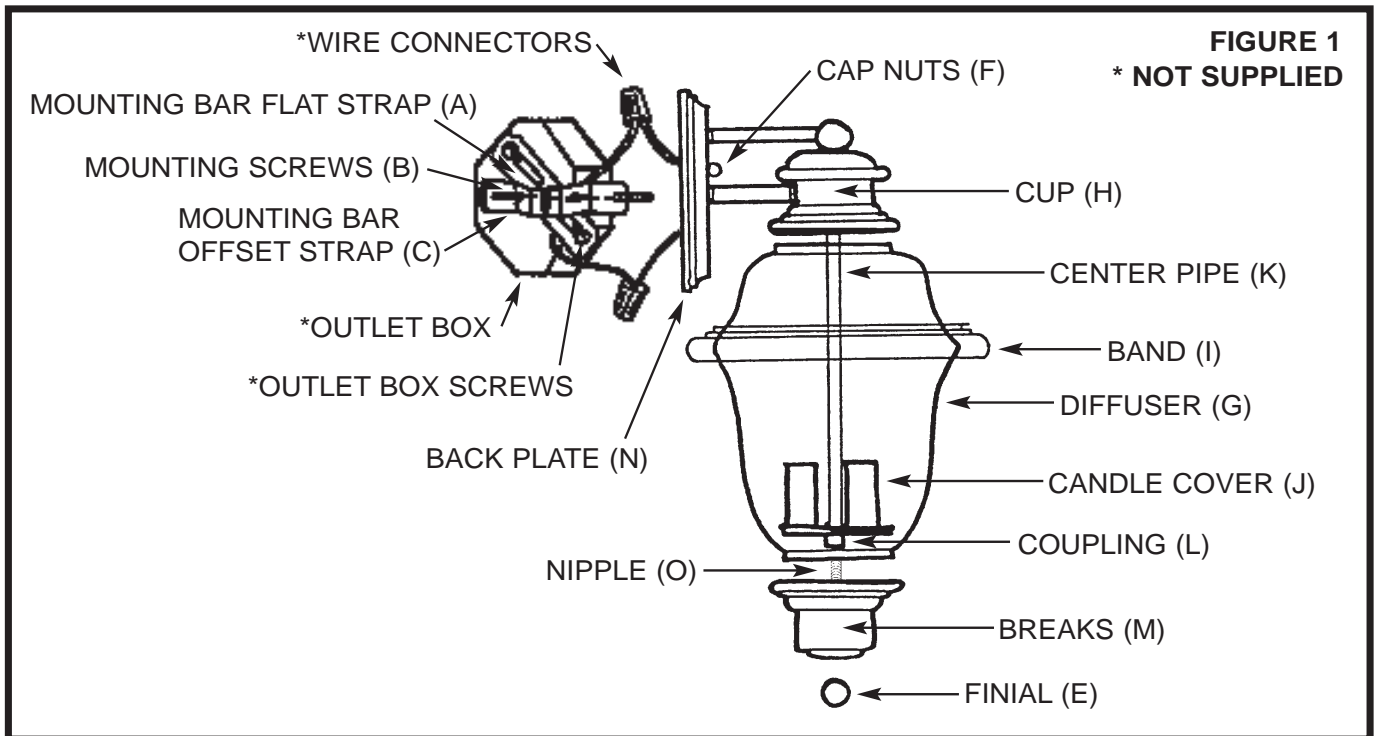
Carefully remove the fixture from the carton and check that all parts are included, as shown in figure 1 and 2. Be careful not to misplace any of the screws or parts which are needed to install this fixture.

### STEP 2:

May be factory installed.  
Install nipple (O) into coupling (L).

### STEP 3: (If applicable)

Install band (I) over diffuser (G).



# sea gull lighting®

## Installation And Safety Instructions HC-402 012405

File This Sheet For Future Reference. ITEM# \_\_\_\_\_  
Line art shown may not exactly match the fixture enclosed. However, the installation instructions do apply to this fixture.

**IMPORTANT: DO NOT ATTACH FIXTURE DIRECTLY TO OUTLET BOX.**

**STEP 1:**

Hold mounting bar with flat strap (A) behind mounting bar offset strap (C). Rotate straps so they are at right angles to one another.

**STEP 2:**

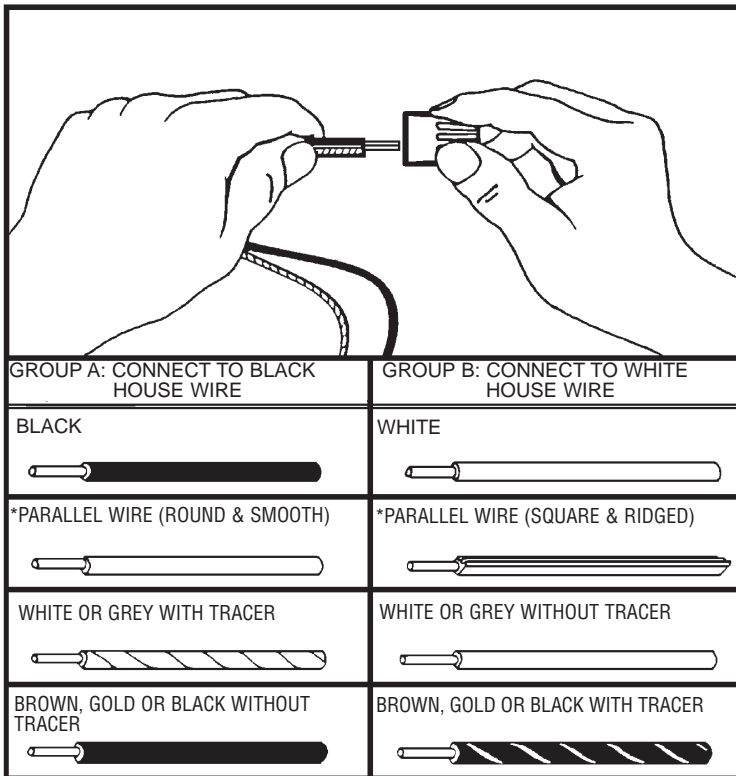
Insert fixture mounting screws (B) in threaded holes of mounting bar offset strap (C). Run screws all the way down to the heads. (See Fig. 2).

**STEP 3:**

Place flat strap (A) of mounting bar against outlet box and fasten mounting bar, through slots in flat strap (A), to outlet box with outlet box screws (not supplied).

**STEP 4:**

A. Take note of the wire(s) on your fixture. Identify which group your fixture wire(s) falls into and connect the wires according to the directions, see illustration.



\*Note: When parallel wire (SPT I & SPT II) is used, the tracer wire is square shaped or ridged and less tracer wire is round in shape or smooth. (Seen best when viewed from wire end.)

- B. Take your fixture wire(s) from group A and place evenly against the black wire from the outlet box. **DO NOT** twist wires together before using wire connectors.
- C. Fit a wire connector (not supplied) over the wires and screw the connector clockwise until you feel a firmness.
- D. Try gently to pull the connector off the wires. If you can pull the connector off, carefully re-do steps 5 and 6, as above, and check again for a firm connection.
- E. Connect the fixture wire from group B to the white wire from the outlet box in the same manner.

**STEP 5:**

**GROUNDING INSTRUCTIONS:** The green grounding screw is to be inserted into the hole with two raised dimples provided on the mounting bar. Wrap the ground wire from the fixture (if supplied) and the ground wire from the outlet box (bare metal or green insulated wire) around the green grounding screw on the mounting bar. If uninsulated wire is on the mounting bar, connect the ground wire from the fixture (if supplied) and the outlet box to it using a small wire connector (not supplied).

NOTE: Underwriters Laboratories (U.L.) does not require all fixtures to have ground wires. These fixtures still meet all U.L. specifications. The listing mark of Underwriters on the product identifies products manufactured under its listing and Follow-Up Service Programs.

**NEVER CONNECT GROUND WIRE TO BLACK OR WHITE POWER SUPPLY WIRES.**

**FINAL ASSEMBLY**

**STEP 1:**

After wires are connected, tuck them carefully into outlet box. Position fixture backplate (N) onto mounting screws (B) to protrude through holes in backplate (N). If necessary, rotate mounting bar offset strap (C) to proper position. Push fixture firmly against the wall and secure in place with cap nuts (F).

**STEP 2:**

Install candle covers (J).

**STEP 3:**

Install lamps.

**STEP 4:**

Raise diffuser (G) and breaks (M), in that order, over nipple (O). Secure in place with finial (E)

**CLEANING**

To clean, wipe fixture body with a soft cloth. Clean glass with a mild soap. Do not use abrasive materials such as scouring pads or powders, steel wool, or abrasive paper.

**ORDERING PARTS**

Keep this sheet for future reference, and in case you need to order replacement parts. All parts for this fixture can be ordered from place of purchase. Be sure to use exact wording from illustration when ordering parts.

**WET LOCATION**

**NOTE: FOR FIXTURES LABELED FOR WET LOCATION AND USED OUTDOORS.**

**CAUTION:** To reduce the risk of electrical shock, provide a watertight seal between the fixture and the mounting surface by using a silicone or similar caulking.