

INSTALLATION AND SAFETY INSTRUCTIONS

IMPORTANT SAFETY INSTRUCTIONS

- Be sure the electricity to the system you are working on is turned off; either the fuse removed or the circuit breaker set at off.
- Use of other manufacturers components will void warranty, listing and create a potential safety hazard.
- If you are unclear as to how to proceed, contact a qualified electrician.
- You don't need special tools to install this fixture.
- Be sure to follow the steps in the order given.
- Under no circumstances should a fixture be hung on house electrical wires, not should a swag type fixture be installed on a ceiling which contains a radiant type heating system.
- Read instructions carefully.
- Save these instructions.

FOR FIXTURES PROVIDED WITH 75° C OR 90° C SUPPLY WIRE WARNING ONLY (THESE WARNINGS ARE PROVIDED ON THE LABEL AND ON THE FIXTURE CARTON).

WARNING: RISK OF FIRE. MOST DWELLINGS BUILT BEFORE 1985 HAVE SUPPLY WIRE RATED 60° C. CONSULT A QUALIFIED ELECTRICIAN BEFORE INSTALLING.

IF SUPPLY WIRES ARE LOCATED WITHIN 3" OF BALLAST, USE WIRE RATED FOR AT LEAST 90°C.

ASSEMBLY

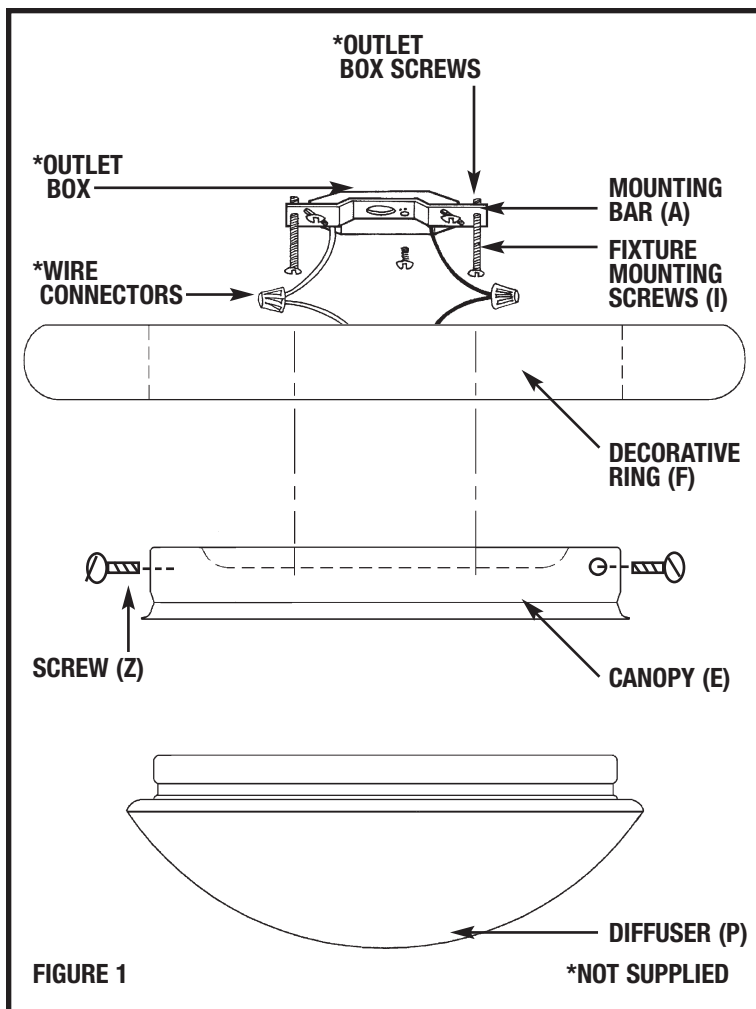
Carefully remove the fixture from the carton and check that all parts are included, as shown in Figure 1 & 2. Be careful not to misplace any of the screws or parts which are needed to install this fixture.

STEP 1:

(May be factory installed.)
Insert screw (Z) into canopy (E).

STEP 2:

Insert canopy (E) into decorative ring (F). (If applicable).



GROUNDING AND OFFSET MOUNTING BAR LOCK UP

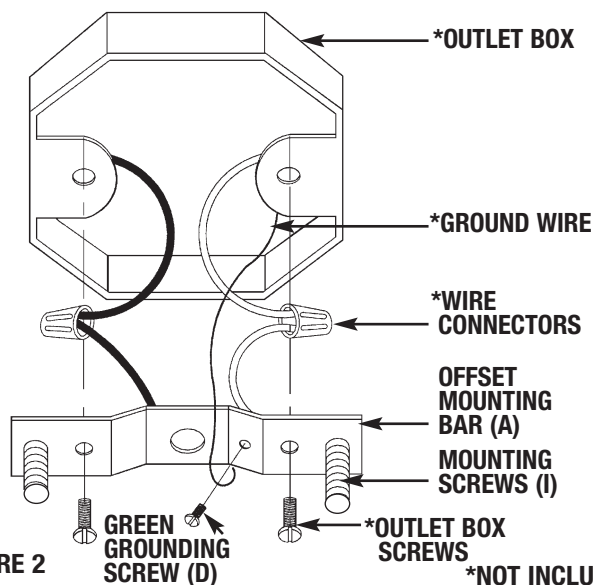


FIGURE 2



sea gull lighting®

Installation And Safety Instruction

HC-289

011108

Line art shown may not exactly match the fixture enclosed. However, the installation instructions do apply to this fixture.

Fill In Item Number On Carton And
File This Sheet For Fixture Reference. ITEM# _____

IMPORTANT: DO NOT ATTACH FIXTURE DIRECTLY TO OUTLET BOX.

STEP 1:

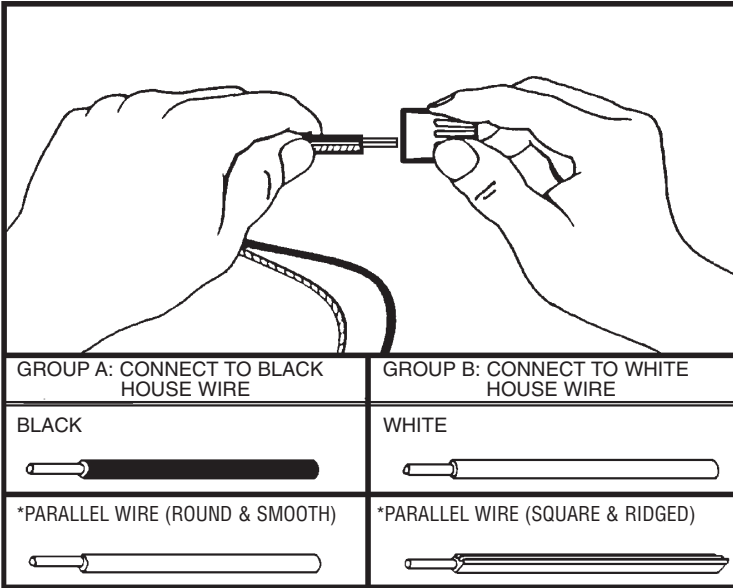
Secure mounting bar (A) to outlet box with outlet box screws (not supplied). Raised side is top as illustrated.

STEP 2:

Thread fixture mounting screws (I) into threaded holes of mounting bar (A) 3 turns each.

STEP 3:

A. Take note of the color of the wire(s) on your fixture. Identify which group your fixture wire(s) falls into and connect the wires according to the directions below:



*NOTE: When parallel wire is used, the tracer wire is square shaped or ridged, and the less tracer wire is round in shape or smooth. (Seen best when viewed from wire end.) To separate wires, grasp the ends of each wire and pull apart.

B. Take your fixture wire(s) from group A and place evenly against the black wire from the outlet box. **Do Not** twist wires together before using wire connectors.

C. Fit a wire connector (not supplied) over the wires and thread the connector clockwise until you feel a firm resistance.

D. Gently try to remove the wires from the connector. If you can remove the wires, carefully re-do steps B and C, as above, and check again for a firm connection.

E. Connect the fixture wire from group B to the white wire from the outlet box in the same manner.

STEP 4:

GROUNDING INSTRUCTIONS: Your fixture can be grounded in a variety of different ways. Choose the instructions below which applies to your fixture and follow directions carefully.

A. For fixtures with green grounding screws on mounting bar, the green grounding screw is to be inserted into the hole with two raised dimples provided on the mounting bar. Wrap the ground wire from the fixture (if supplied) and the ground wire from the outlet box (bare metal or green insulated wire) around the green grounding screw on the mounting bar in clockwise direction and tighten the screw.

B. For fixtures with uninsulated wire on mounting bar, connect the ground wire from the fixture (if supplied) and the ground wire from the outlet box (bare metal or green insulated wire) to the insulated wire on mounting bar using a small wire connector (not supplied).

C. For fixtures with uninsulated wire direct from fixture, connect the uninsulated wire from the fixture to the ground wire from the outlet box (bare metal or green insulated wire) using a small wire connector.

FINAL ASSEMBLY

Make sure no bare wires can be seen outside wire connectors.

STEP 1:

After wires are connected, tuck them carefully inside outlet box. Raise the canopy (E) to the ceiling allowing for mounting screws (I) to protrude through key slots. Rotate canopy (E) clockwise until screws (I) are in narrow part of keyslot. Tighten screws (I) with screwdriver.

STEP 2:

Install lamps.

STEP 3:

Insert diffuser (P) into decorative ring (F). Insert diffuser (P) and decorative ring (F) into canopy (E). Rotate diffuser (P) clock-wise until it securely fits into canopy (E).

CLEANING

To clean, wipe fixture with a soft cloth. Clean glass with a mild soap. Do not use abrasive materials such as scouring pads or powders, steel wool or abrasive paper.

ORDERING PARTS

Keep this sheet for future reference, and in case you need to order replacement parts. Parts for this fixture can be ordered from place of purchase. Be sure to use exact wording from illustration when ordering parts.