

INSTALLATION AND SAFETY INSTRUCTIONS

FOR YOUR SAFETY

WARNING: BE SURE THE ELECTRICITY TO THE WIRES YOU ARE WORKING ON IS SHUT OFF. EITHER THE FUSE REMOVED OR THE CIRCUIT BREAKER OFF .

GENERAL

You don't need special tools to install this fixture. Be sure to follow the steps in the order given. Under no circumstances should a fixture be hung on house electrical wires, nor should a swag type fixture be installed on a ceiling which contains a radiant type heating system. Read instructions carefully. **If you are unclear as to how to proceed, consult a qualified electrician.**

ASSEMBLY

Carefully remove the fixture from the carton and check that all parts are included, as shown in Figure 1, 2, 3, 4 & 5. Be careful not to misplace any of the screws or parts which are needed to install this fixture.

FOR CHAIN HUNG (FIG. 1)

STEP 1: (MAY ALREADY BE FACTORY INSTALLED)

Feed fixture wires from center pipe (T) through: swivel (U), small canopy (V), lock washer (W), threaded spacer (J) and lock washer (W), in that order (if applicable). Secure in place with fixture loop (K).

STEP 2: (MAY ALREADY BE FACTORY INSTALLED)

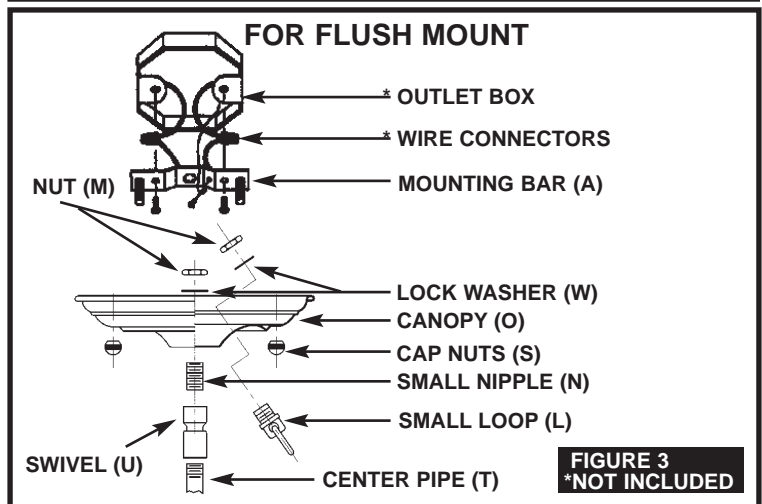
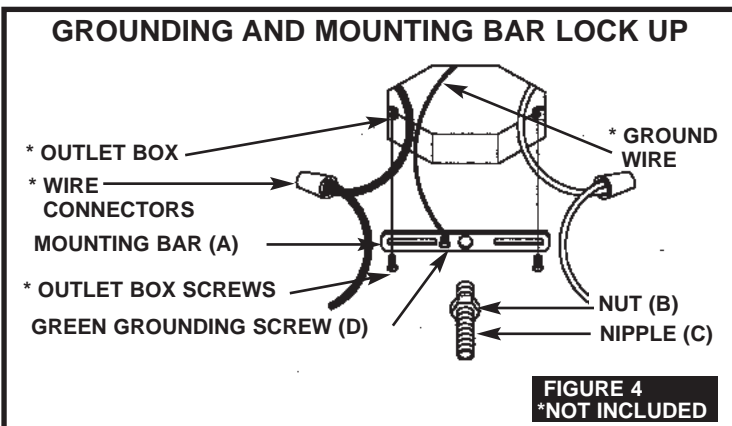
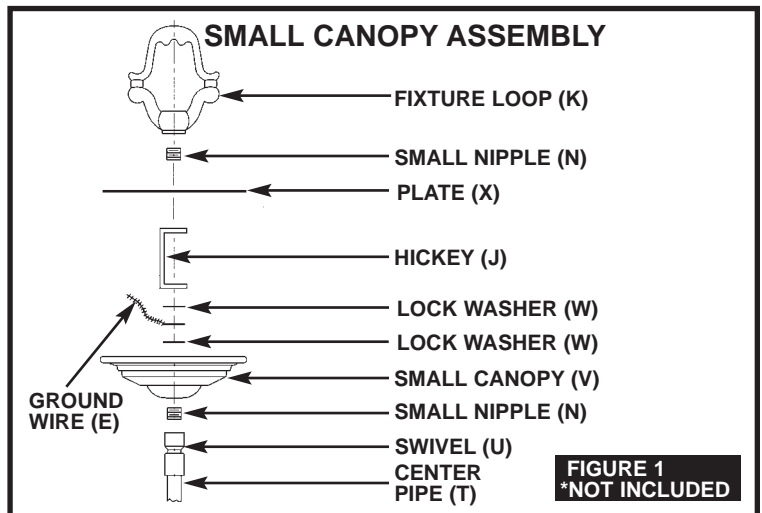
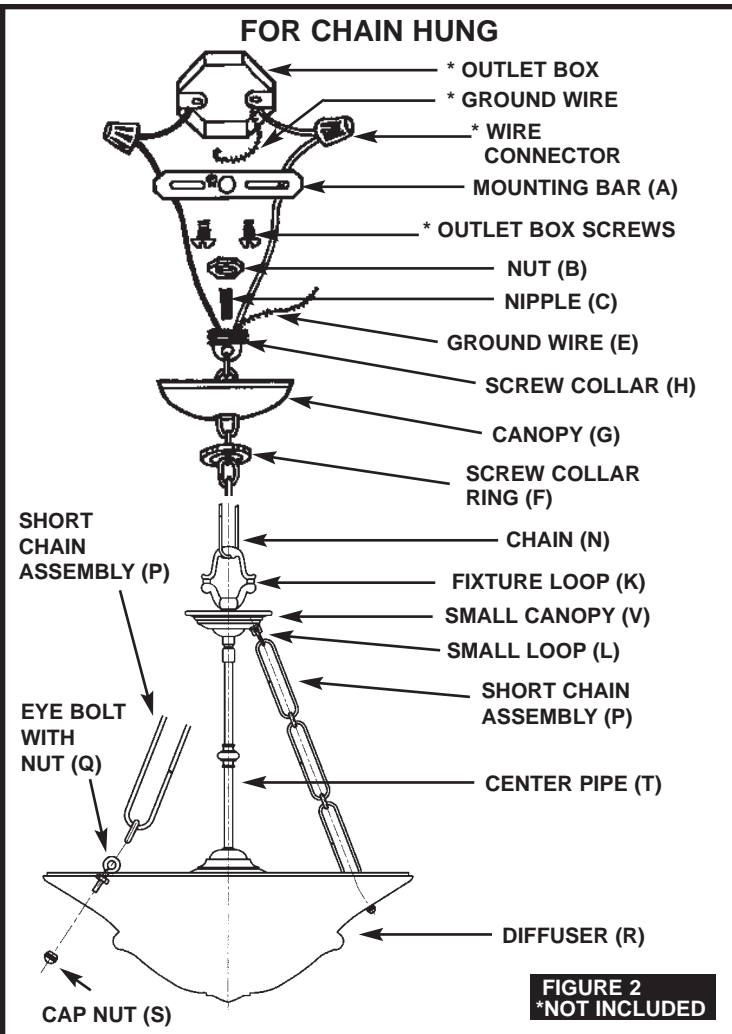
Insert small loop (L) through small canopy (V). On small loop (L), place lock washer (W) and secure in place with nut (M).

FOR FLUSH MOUNT (IF APPLICABLE) (FIG. 3)

NOTE: If fixture is pre-assembled for chain hanging, and you wish to flush mount it, first take apart the chain hung assembly, by removing parts as noted in Step 1 and Step 2 of Assembly for Chain Hung.

STEP 1: (MAY ALREADY BE FACTORY INSTALLED)

Feed fixture wires from center pipe (T) through: swivel (U), small nipple (N), canopy (O) and lock washer (W), in that order (if applicable). Secure in place with nut (M).



ITEM

Fill in item number located on carton and file this sheet for future reference

HC-271

012696

STEP 2: (MAY ALREADY BE FACTORY INSTALLED) **HC-271**

Insert small loop (L) through canopy (O). On small loop (L), place lock washer (W) and secure in place with nut (M).

INSTALLATION

IMPORTANT: DO NOT ATTACH FIXTURE DIRECTLY TO OUTLET BOX.

FOR CHAIN HUNG (FIGURES 2 & 4)


1. Secure mounting bar (A) to outlet box with outlet box screws (not supplied). Thread nut (B) on nipple (C) so that 3 threads are exposed above nut (B). Thread nipple (C) into mounting bar (A) and secure with nut (B). Attach screw collar (H) to nipple (C).
2. Using 2 pairs of pliers, open one link of chain (N) and connect it to the fixture loop (K) at the top of the fixture.
3. Slide the screw collar ring (F) and canopy (G), in that order, over chain (N). Open one link on the other end of the chain (N) and attach it to the screw collar (H) which has been mounted to the ceiling nipple (C). **BE SURE TO CLOSE ALL CHAIN LINKS COMPLETELY.**
4. Lace wires up through chain (N) and pass wires through holes in screw collar (H). We recommend lacing wire up through every other link of chain (N).









FOR FLUSH MOUNT

1. Thread fixture mounting screws (I) in through top of mounting bar (A) (raised side is on top, as illustrated). Run screw threads (I) all the way down to the heads. Secure mounting bar (A) to outlet box with outlet box screws (not supplied).

WIRING

1A. Take note of the color of the wire(s) on your fixture. Identify which group your fixture wire(s) falls into and connect the wires according to the directions below:



GROUP A: CONNECT TO BLACK HOUSE WIRE	GROUP B: CONNECT TO WHITE HOUSE WIRE
BLACK 	WHITE 
*PARALLEL WIRE (ROUND & SMOOTH) 	*PARALLEL WIRE (SQUARE & RIDGED) 
WHITE OR GREY WITH TRACER 	WHITE OR GREY WITHOUT TRACER 
BROWN, GOLD OR BLACK WITHOUT TRACER 	BROWN, GOLD OR BLACK WITH TRACER 

*Note: When parallel wire is used, the tracer wire is square shaped or ridged and less tracer wire is round in shape or smooth. (Seen best when viewed from wire end.) To separate wires, grasp the ends of each wire and pull apart.

B. Take your fixture wire(s) from group A and place evenly against the black wire from the outlet box. **DO NOT** twist wires together before using wire connectors.

C. Fit a wire connector (not supplied) over the wires and screw the connector clockwise until you feel a firmness.

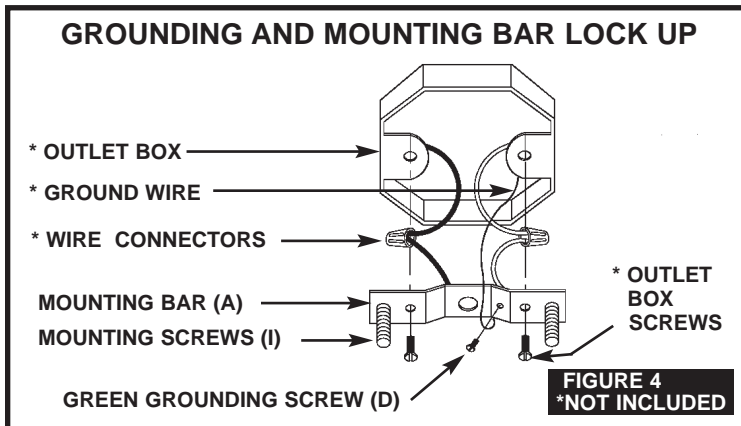
D. Try gently to pull the connector off the wires. If you can pull the connector off, carefully re-do steps B and C, as above and check again for a firm connection.

E. Connect the fixture wire from group B to the white wire from the outlet box in the same manner.

2. GROUNDING INSTRUCTIONS: The green grounding screw (D) is to be inserted into the hole with two raised dimples provided on the mounting bar (A). Wrap the ground wire (E) from the fixture (if supplied) and the ground wire from the outlet box (bare metal or green insulated wire) around the green grounding screw (D) on the mounting bar (A) if uninsulated wire is on the mounting bar (A), connect the ground wire (E) from the fixture (if supplied) and the outlet box to it using a small wire connector (not supplied).

NOTE: Underwriters Laboratories (U.L.) does not require all fixtures to have ground wires. These fixtures still meet all U.L. specifications. The listing mark of Underwriters on the product identifies products manufactured under its listing and Follow-Up Service Programs.

NEVER CONNECT GROUND WIRE TO BLACK OR WHITE POWER SUPPLY WIRES.



FINAL ASSEMBLY

Make sure no bare wires can be seen outside wire connectors.

FOR CHAIN HUNG (FIGURE 2)

1. After wires are connected, tuck them carefully inside outlet box and then raise the canopy (G) against ceiling and screw the screw collar ring (F) to the screw collar (H).

FOR FLUSH MOUNT (FIGURE 3)

1. After wires are connected, tuck them carefully inside outlet box. Raise the canopy (O) to the ceiling allowing for mounting screws (I) to protrude through holes in canopy (O). Secure in place with cap nuts (S).
2. Install lamps.

FINAL INSTALLATION

1. Insert eye bolt with nut (Q) through diffuser (R). Secure in place with cap nut (S).
2. Install lamps.

CLEANING

To clean, wipe fixture body with a soft cloth. Clean glass with a mild soap. Do not use abrasive materials such as scouring pads or powders, steel wool or abrasive paper.

ORDERING PARTS

Keep this sheet for future reference, and in case you need to order replacement parts. All parts for this fixture can be ordered from place of purchase. Be sure to use exact wording from illustration when ordering parts.