

ATTENTION-RISQUE D'INCENDIE MAX 18 WATT TYPE WEDGE T5  
 SYSTEME ET ALENTOURS  
 12V 24V SYSTEME PEUT PROVOQUER DES DOMMAGES AU  
 LAMPES AVEC LES SYSTEMES 12V. UTILISATION DE LAMPES  
 ATTENTION: RISQUE D'INCENDIE. UTILISER SEULEMENT 12V  
 RISQUE D'INCENDIE : NE RETIREZ PAS DE REFLECTEUR  
 (UTILISER SEULEMENT AVEC AMBIANCE CABLE 105°)  
 CAUTION-RISK OF FIRE MAX 18 WATT TYPE WEDGE T5  
 THE TRACK EVERY 4 FT.  
 (SUPPLIED WITH THE 24V TRANSFORMER) ON OR ALONG  
 INSTALLATION AND ATTACH THE 24V CAUTION LABELS  
 CAUTION PRINTED ON CABLE IS VISIBLE AFTER  
 USED IN A 24V SYSTEM. INSTALL CABLE SO THAT  
 COMBUSTIBLE MATERIALS. 12V LAMPS MUST NOT BE  
 CAUTION RISK OF FIRE. PLEASE KEEP AWAY FROM  
 RISK OF FIRE: DO NOT REMOVE REFLECTOR.

(USE ONLY WITH AMBIANCE 105° CABLE)  
 ACCENT LIGHT INSTALLATION

WARNING: Be sure the electricity to the system you are working on  
 is turned off, either the fuse removed or the circuit breaker set at off.

**FOR YOUR SAFETY** HC-257

INSTALLATION AND SAFETY INSTRUCTIONS

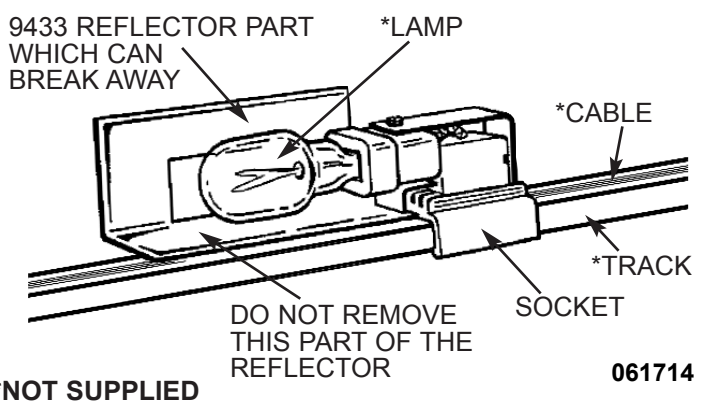
INSTALLATION AND SAFETY INSTRUCTIONS

**FOR YOUR SAFETY** HC-257

ACCENT LIGHT INSTALLATION  
 (USE ONLY WITH AMBIANCE 105° CABLE)

**TO INSTALL 9433 SOCKET**

- CAUTION: Do not remove entire reflector, heat from lamps will damage cable**
- A. Determine socket location and spacing, minimum 6" center to center.
  - B. Install bulbs (not included), 18 watt maximum.
  - C. Press socket straight down onto track and cable until socket snaps into place.
  - D. Center of socket must not be closer than 1 1/2" to closed ends (wall surfaces, partitions).



WARNING: Use of other manufacturer's components will void warranty, safety listing and create a potential safety hazard.

ATTENTION-RISQUE D'INCENDIE MAX 18 WATT TYPE WEDGE T5  
 SYSTEME ET ALENTOURS  
 12V 24V SYSTEME PEUT PROVOQUER DES DOMMAGES AU  
 LAMPES AVEC LES SYSTEMES 12V. UTILISATION DE LAMPES  
 ATTENTION: RISQUE D'INCENDIE. UTILISER SEULEMENT 12V  
 RISQUE D'INCENDIE : NE RETIREZ PAS DE REFLECTEUR  
 (UTILISER SEULEMENT AVEC AMBIANCE CABLE 105°)  
 CAUTION-RISK OF FIRE MAX 18 WATT TYPE WEDGE T5  
 THE TRACK EVERY 4 FT.  
 (SUPPLIED WITH THE 24V TRANSFORMER) ON OR ALONG  
 INSTALLATION AND ATTACH THE 24V CAUTION LABELS  
 CAUTION PRINTED ON CABLE IS VISIBLE AFTER  
 USED IN A 24V SYSTEM. INSTALL CABLE SO THAT  
 COMBUSTIBLE MATERIALS. 12V LAMPS MUST NOT BE  
 CAUTION RISK OF FIRE. PLEASE KEEP AWAY FROM  
 RISK OF FIRE: DO NOT REMOVE REFLECTOR.

(USE ONLY WITH AMBIANCE 105° CABLE)  
 ACCENT LIGHT INSTALLATION

WARNING: Be sure the electricity to the system you are working on  
 is turned off, either the fuse removed or the circuit breaker set at off.

**FOR YOUR SAFETY** HC-257

INSTALLATION AND SAFETY INSTRUCTIONS

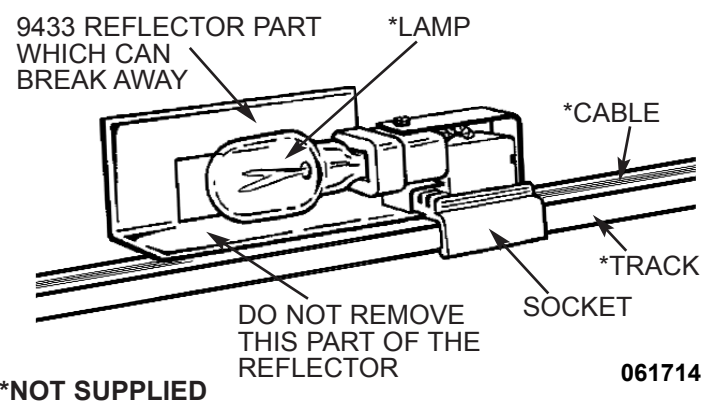
INSTALLATION AND SAFETY INSTRUCTIONS

**FOR YOUR SAFETY** HC-257

ACCENT LIGHT INSTALLATION  
 (USE ONLY WITH AMBIANCE 105° CABLE)

**TO INSTALL 9433 SOCKET**

- CAUTION: Do not remove entire reflector, heat from lamps will damage cable**
- A. Determine socket location and spacing, minimum 6" center to center.
  - B. Install bulbs (not included), 18 watt maximum.
  - C. Press socket straight down onto track and cable until socket snaps into place.
  - D. Center of socket must not be closer than 1 1/2" to closed ends (wall surfaces, partitions).



WARNING: Use of other manufacturer's components will void warranty, safety listing and create a potential safety hazard.