

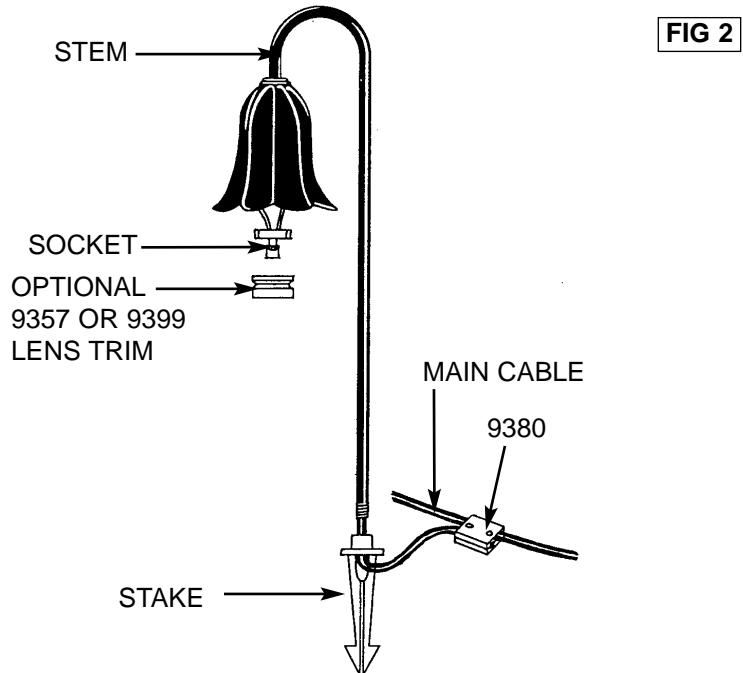
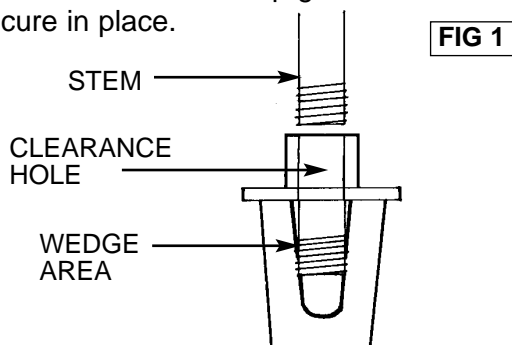
INSTALLATION AND SAFETY INSTRUCTIONS HC-178

Instructions - 9338 Tulip and 9255 Complete Path Light 082202

FOR YOUR SAFETY

WARNING: BE SURE THE ELECTRICITY TO THE SYSTEM YOU ARE WORKING ON IS TURNED OFF; EITHER THE FUSE REMOVED OR THE CIRCUIT BREAKER SET AT OFF.

1. Make trench for stake and cable in ground.
2. Snap socket into tulip (may be factory installed).
3. Run cable through stake and attach cable to supply cable with 9380 connector (included), or attach one or two supply cables to socket with wire nuts (see FIG 2).
4. Thread stem into top of stake. If stem slips through clearance hole at the top of stake, thread stem into the wedge area of stake (see FIG 1).
5. Insert stake into trench and tamp ground around stake to secure in place.



WARNING-RISK OF SHOCK. 24V SYSTEM NOT SUITABLE FOR OUTDOOR USE.