

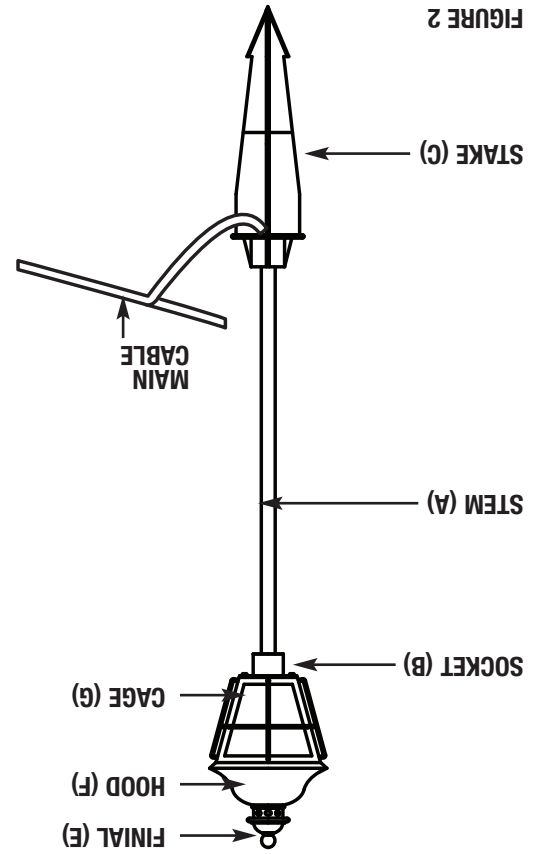
1. Make trench for stake (C) and cable in ground.
2. Run cable through stake (C) and thread stem (A) into top of stake. If stem slips through clearance hole at the top of stake, thread stem into the wedge area of stake (see FIG. 1).
3. Insert bulb into socket (B).
4. Place hood (F) on top of cage (G). Secure by placing decorative cup (D) around the RTN at the top of the cage (G). Thread final (E) onto RTN.
5. Make connection between fixture wires and low voltage supply wires using wet location silicone filled wire nuts or other listed landscape wire connector.
6. Insert stake (C) into trench and tamp ground around stake (C) to secure in place.

INSTALLATION

HC-1609

INSTRUCTIONS - PATH LIGHT

FIGURE 2



sea gull lighting®

Installation And Safety Instructions

Line art shown may not exactly match the fixture enclosed. However, the installation instructions do apply to this fixture. Fill in Item Number on Carton and File This Sheet For Future Reference. ITEM# _____

HC-1609

090109

INSTRUCTIONS

- Be sure the electricity to the system you are working on is turned off; either the fuse removed or the circuit breaker set at off.
- Lighted lamp is HOT!
- To reduce the risk of FIRE or INJURY TO PERSONS: Turn off/unplug and allow to cool before replacing lamp.
- Lamp gets HOT quickly! Contact only switch/plug when turning on.
- Do not touch hot lens, guard, or enclosure.
- Keep lamp away from materials that may burn.
- Do not touch the lamp at any time. Use a soft cloth. Oil from skin may damage lamp.
- Do not operate the luminaire fitting with a missing or damaged shield.
- Do not install within 10' (1.52m) of a pool, spa, or fountain.
- **WARNING: RISK OF ELECTRIC SHOCK** – Install all luminaires 10' (3.05M) or more from a pool, spa, or fountain.
- The main low voltage cable is intended for shallow burial—less than 6" (152mm).
- When additional lengths of main low voltage cable are necessary, order Ambiance® landscape outdoor cable. Please visit SeaGullLighting.com to find a local distributor.
- Save these instructions.

Lighted lamp is HOT!

TO REDUCE THE RISK OF FIRE OR INJURY TO PERSONS:

1. Turn off and allow to cool before replacing lamp.
2. Lamp gets HOT quickly! Contact switch only when turning on.
3. Do not touch hot lens, guard, or housing.
4. Keep lamp away from combustible materials.
5. Do not touch the lamp at any time. Use a soft cloth. Oil from skin may damage lamp.