

IMPORTANT SAFETY INSTRUCTIONS

- Be sure the electricity to the system you are working on is turned off; either the fuse removed or the circuit breaker set at off.
- Use of other manufacturers components will void warranty, listing and create a potential safety hazard.
- If you are unclear as to how to proceed, contact a qualified electrician.
- You don't need special tools to install this fixture.
- Be sure to follow the steps in the order given.
- Under no circumstances should a fixture be hung on house electrical wires, nor should a swag type fixture be installed on a ceiling which contains a radiant type heating system.
- Read instructions carefully.
- Save these instructions.

CLEANING

To clean, wipe fixture with a soft cloth. Clean glass with a mild soap. Do not use abrasive materials such as scouring pads or powders, steel wool or abrasive paper.

ORDERING PARTS

Keep this sheet for future reference, and in case you need to order replacement parts. Parts for this fixture can be ordered from place of purchase. Be sure to use exact wording from illustration when ordering parts.

BEFORE YOU BEGIN

Carefully remove the fixture from the carton and check that all parts are included, as shown in Figure 1 & 2. Be careful not to misplace any of the screws or parts which are needed to install this fixture.

NOTE: This fixture may be installed either flush mount or chain-hung. Follow the steps for the mounting method you have chosen.

FOR CHAIN-HUNG

STEP 1:

Thread fixture loop (B) to top of fixture.

STEP 2:

Secure mounting bar (A) to outlet box using outlet box screws. Thread nut (G) onto nipple (C) so five threads are exposed. Thread nipple (C) into center of the mounting bar (A) and secure by tightening nut (G). Thread screw collar (E) to nipple (C).

STEP 3:

Using 2 pairs of pliers or chain breaks, open one link of chain (H) and connect it to the fixture loop (B) at the top of the fixture. Please be sure to open chain link in an outward motion. Do not twist. Slide screw collar ring (L) and canopy (O) to top of fixture.

STEP 4:

Open one link on the other end of the chain (H) and attach it to the screw collar (E). **BE SURE TO CLOSE ALL CHAIN LINKS COMPLETELY.**

CHAIN HUNG

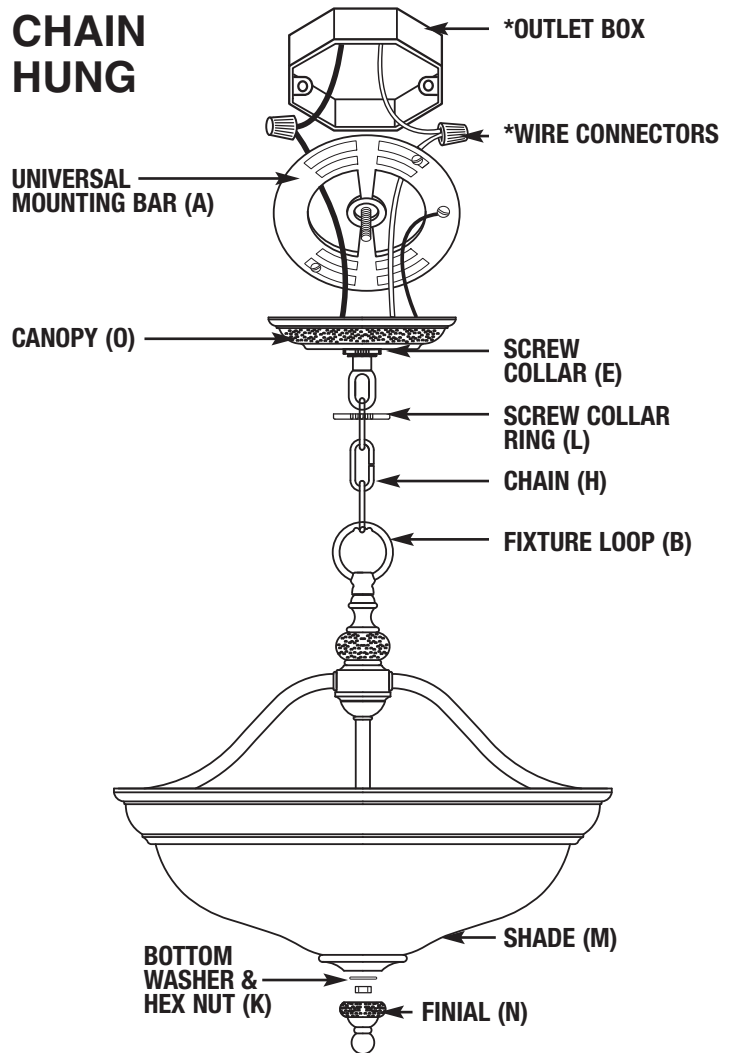


FIGURE 1

*NOT SUPPLIED

FLUSH MOUNT INSTALLATION

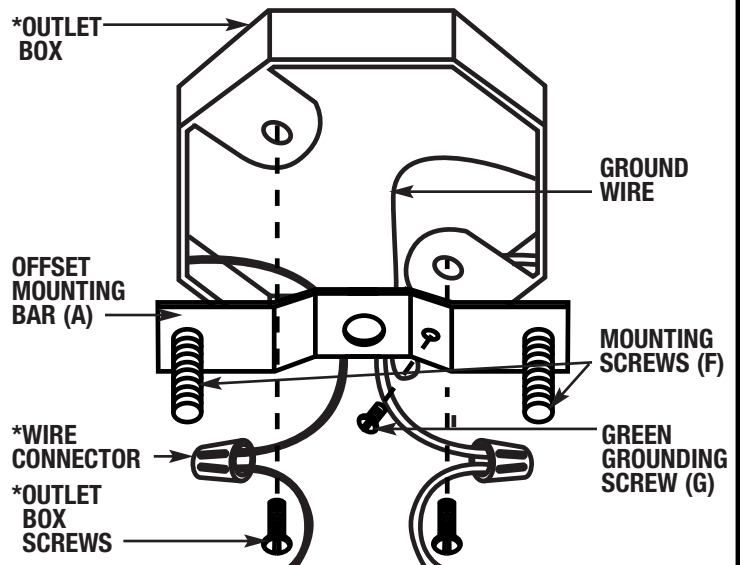


FIGURE 2

*NOT SUPPLIED

INSTALLATION

HC-1420

IMPORTANT: DO NOT ATTACH FIXTURE DIRECTLY TO OUTLET BOX.

FOR FLUSH MOUNT

STEP 1:

Feed fixture wires through center hole of fixture canopy (O). Secure fixture canopy (O) to fixture by installing nut to fixture nipple.

STEP 2:

Thread fixture mounting screws (F) through top of the universal mounting bar (A) (raised side is on top, as illustrated). Run screw threads all the way down to the heads. Secure the universal mounting bar (A) to outlet box with outlet box screws (not supplied).

WIRING INSTRUCTIONS

- A.** Use a listed wire connector to connect the fixture hot wire (black wire, or round and smooth tracer) to the supply hot wire.
- B.** Use a listed wire connector to connect the fixture common wire (white wire, or square and rigid) to the supply common wire.
- C.** Gently try to remove the wires from the connector. If you can remove the wires, carefully re-do the wiring connection.

GROUNDING INSTRUCTIONS

The green grounding screw (D) is to be inserted into the hole with two raised dimples provided on the universal mounting bar (A). Wrap the ground wire from the fixture (if supplied) and the ground wire from the outlet box (bare metal or green insulated wire) around the green grounding screw (D) on the universal mounting bar (A) if uninsulated wire is on the universal mounting bar (A), connect the ground wire from the fixture (if supplied) and the outlet box to it using a small wire connector (not supplied).

NEVER CONNECT GROUND WIRE TO BLACK OR WHITE POWER SUPPLY WIRES.

FINAL ASSEMBLY

Make sure no bare wires can be seen outside wire connectors.

STEP 1: FLUSH MOUNT

After wires are connected, tuck them carefully inside outlet box and then raise the fixture canopy (O) against ceiling allowing for mounting screws (F) to protrude through holes in fixture canopy (O). Secure in place by threading capnuts onto mounting screws (F).

STEP 2: CHAIN HUNG

Raise canopy (O) to ceiling and secure by threading screw collar ring (L) to screw collar (H).

STEP 3:

Install lamps.

STEP 4:

Raise shade (M) to fixture so bottom nipple protrudes through shade (M). Secure by threading bottom washer and hexnut (K) to shade (M). Raise decorative cup to shade (M) and secure by threading finial (N) onto bottom nipple.