

IMPORTANT SAFETY INSTRUCTIONS

- Be sure the electricity to the system you are working on is turned off; either the fuse removed or the circuit breaker set at off.
- Use of other manufacturers components will void warranty, listing and create a potential safety hazard.
- If you are unclear as to how to proceed, contact a qualified electrician.
- You don't need special tools to install this fixture.
- Be sure to follow the steps in the order given.
- Read instructions carefully.
- Save these instructions.

CLEANING

To clean, wipe fixture with a soft cloth. Clean glass with a mild soap. Do not use abrasive materials such as scouring pads or powders, steel wool or abrasive paper.

ORDERING PARTS

Keep this sheet for future reference, and in case you need to order replacement parts. Parts for this fixture can be ordered from place of purchase. Be sure to use exact wording from illustration when ordering parts.

BEFORE YOU BEGIN

Carefully remove the fixture from the carton and check that all parts are included, as shown in Figure 1. Be careful not to misplace any of the screws or parts which are needed to install this fixture.

STEP 1:

Secure mounting bar (A) to outlet box using outlet box screws (not provided). Thread nipple (C) into mounting bar (A) so 5 threads are past mounting bar (A). Secure by threading nut (B) onto nipple (C) and to mounting bar (A). Thread screw collar (I) to nipple (C).

STEP 2:

Assemble rod assembly (E) by threading desired amount of rods together.

STEP 3:

Feed the fixture wire from the socket assembly (U), through the rod assembly (E) and thread rod assembly (E) into socket assembly (U). Slide collar ring (J) and canopy (G) (in that order) over rod assembly (E). Continue to feed wire through screw collar (I) and nipple (C).

STEP 4:

Thread remaining end of rod assembly (E) onto coupling of screw collar (I).

NOTE: THIS FIXTURE CAN BE HUNG USING 1, 2, OR 3 RODS. SELECT THE NUMBER OF RODS DESIRED.

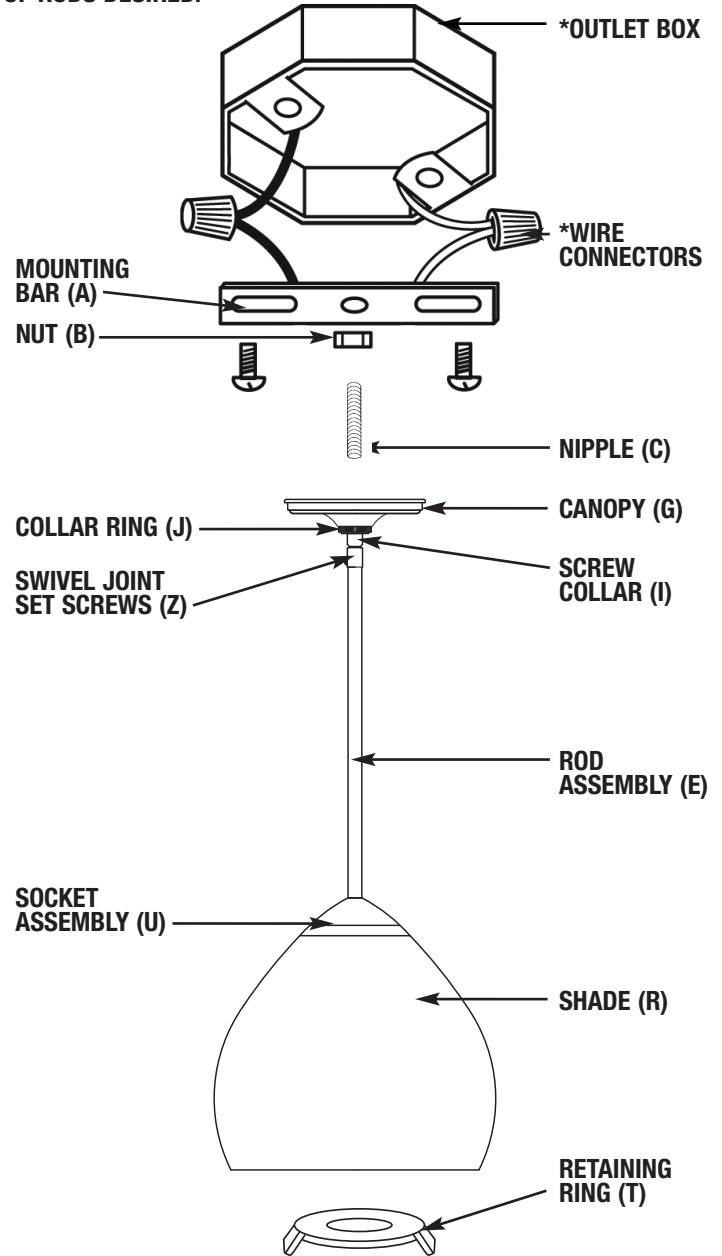


FIGURE 1

*NOT SUPPLIED

INSTALLATION

HC-1360

WIRING**STEP 1:**

- A. Use a listed wire connector to connect the fixture hot wire (black wire, or round and smooth tracer) to the supply hot wire.
- B. Use a listed wire connector to connect the fixture common wire (white wire, or square and rigid) to the supply common wire.
- C. Gently try to remove the wires from the connector. If you can remove the wires, carefully re-do the wiring connection.

STEP 2:**GROUNDING INSTRUCTIONS:**

Connect the supply ground wire, fixture ground wire, and mounting bar ground wire (pre attached) using the supplied wiring connector. Gently try to remove the wires from the connector. If you can remove the wires, carefully re-do the wiring connection.

FINAL ASSEMBLY

Make sure no bare wires can be seen outside wire connectors.

STEP 1:

After wires are connected, tuck them carefully inside outlet box and then raise the canopy (G) against ceiling and secure by threading collar ring (J) to screw collar (I).

STEP 2:

Install the decorative ring and the gasket.

STEP 3:

Place shade (R) onto socket assembly (U) and secure by threading retaining ring (T) onto socket.

STEP 4:

Install lamp.