

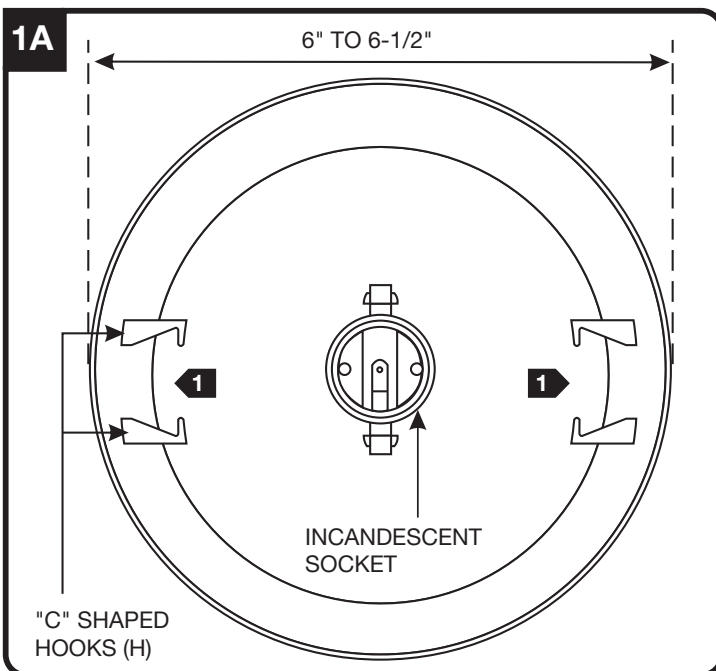
IMPORTANT SAFETY INSTRUCTIONS

- Be sure the electricity to the system you are working on is turned off; either the fuse removed or the circuit breaker set at off.
- Use of other manufacturers components will void warranty, listing and create a potential safety hazard.
- If you are unclear as to how to proceed, contact a qualified electrician.
- You don't need special tools to install this fixture.
- Be sure to follow the steps in the order given.
- Minimum distance from the front of the lamp to combustible surfaces is 8".
- Make sure all connections are tight.
- Dimming halogen lamps greatly reduces lamp life.
- Lamp gets HOT quickly! Contact switch only when turning on.
- Do not touch hot lens, guard, or enclosure.
- Do not touch the lamp at any time. Use a soft cloth. Oil from skin may damage lamp.
- Do not operate the luminaire fitting with a missing or damaged shield.
- Read instructions carefully.
- Save these instructions.

GENERAL PRODUCT INFORMATION:

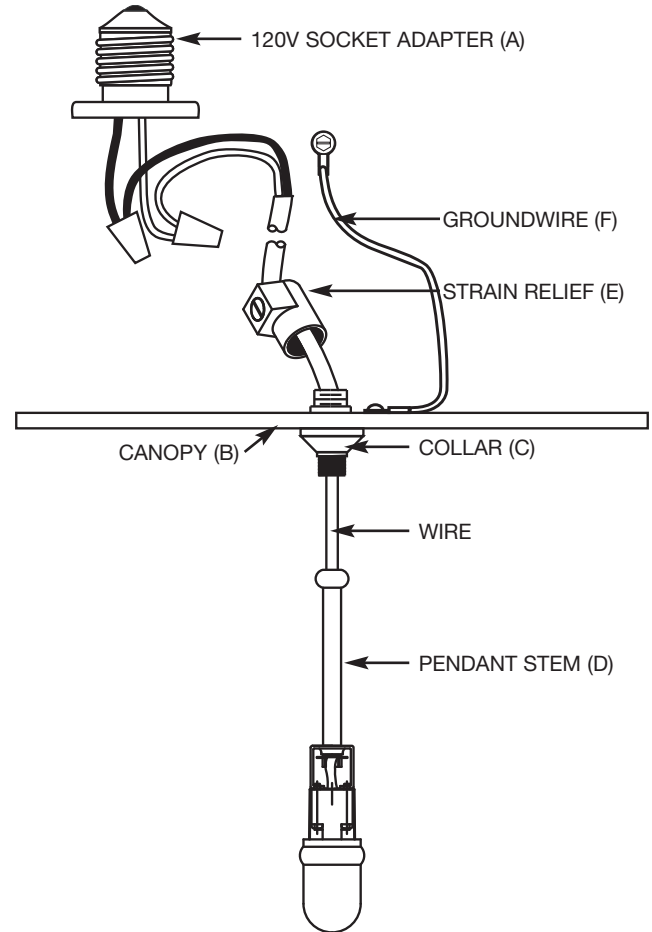
- This product is suitable for indoor dry locations only.
- The Ambiance® recessed can adapter can be used with the following Down Lights: All Sea Gull Lighting 6" incandescent 120v lights, Juno IC2, TC2, and TC2R; Halo H7T and H7RT; Cooper Lighting H27RT, Capri (Thomas) Lighting PR75ASIC/TPR75ASIC/DY6431; Progress Lighting P7TG, P8-TG and PIO8-TG.
- Sea Gull Lighting is not affiliated with, nor it is endorsed by, any of the companies listed above. Sea Gull Lighting does not distribute or sell any of the products listed above.

Down Light Specification



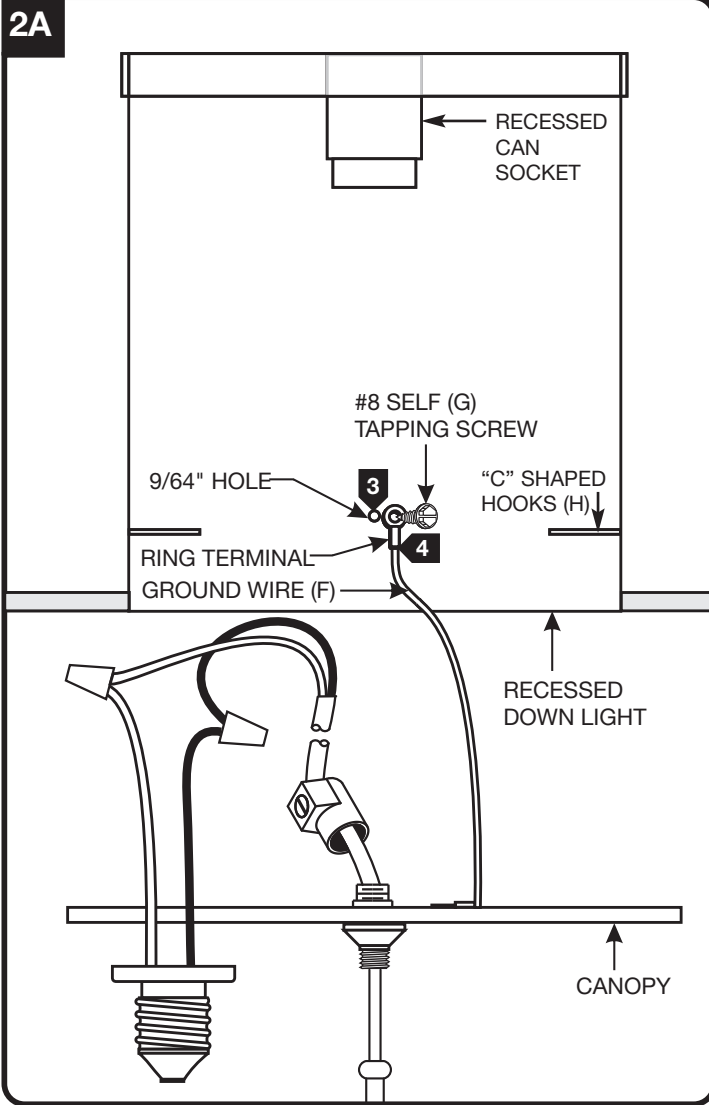
BEFORE YOU BEGIN

Carefully remove the fixture from the carton and check that all parts are included, as shown below. Be careful not to misplace any of the screws or parts which are needed to install this fixture.

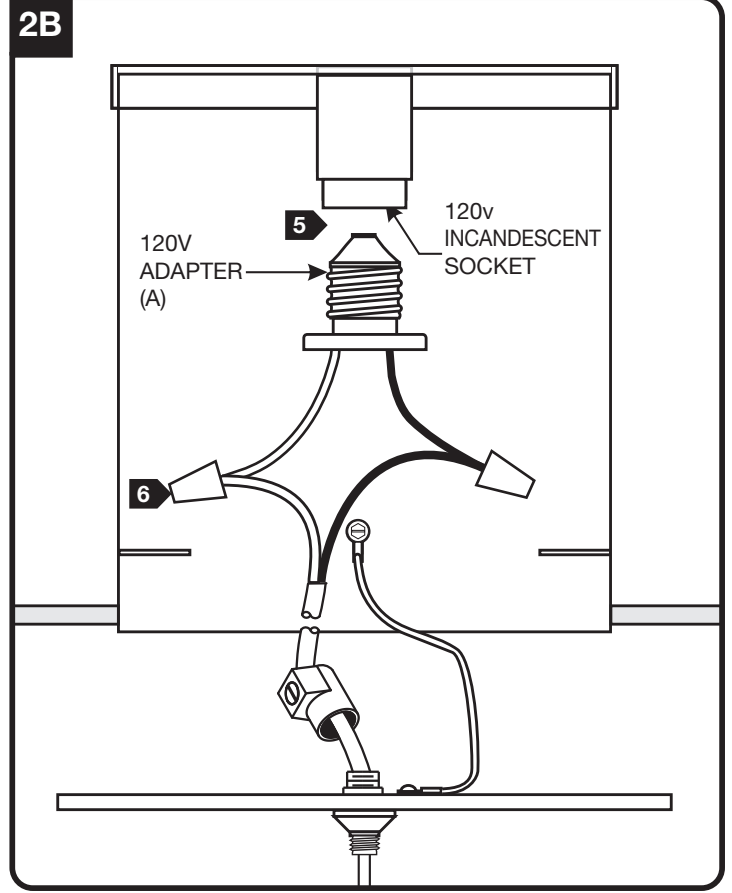


- 1 The Ambiance® recessed can adapter can be mounted to down lights that:
 - contain "C" shape hooks (H) on the inside of the can wall.
 - Are 6" to 6-1/2" in diameter.
- 2 Shorten pendant to desired length by removing 120v socket adapter (A), strain relief (E), ground wire (F), canopy (B), and collar (C) from wire. Cut wire to desired length. Be sure to add 5" for wiring connections.
- 3 Install Ambiance® glassware (not supplied) to pendant using supplied instructions.
- 4 Reinstall collar (C), canopy (B), groundwire (F), and strain relief (E).

Power Connection

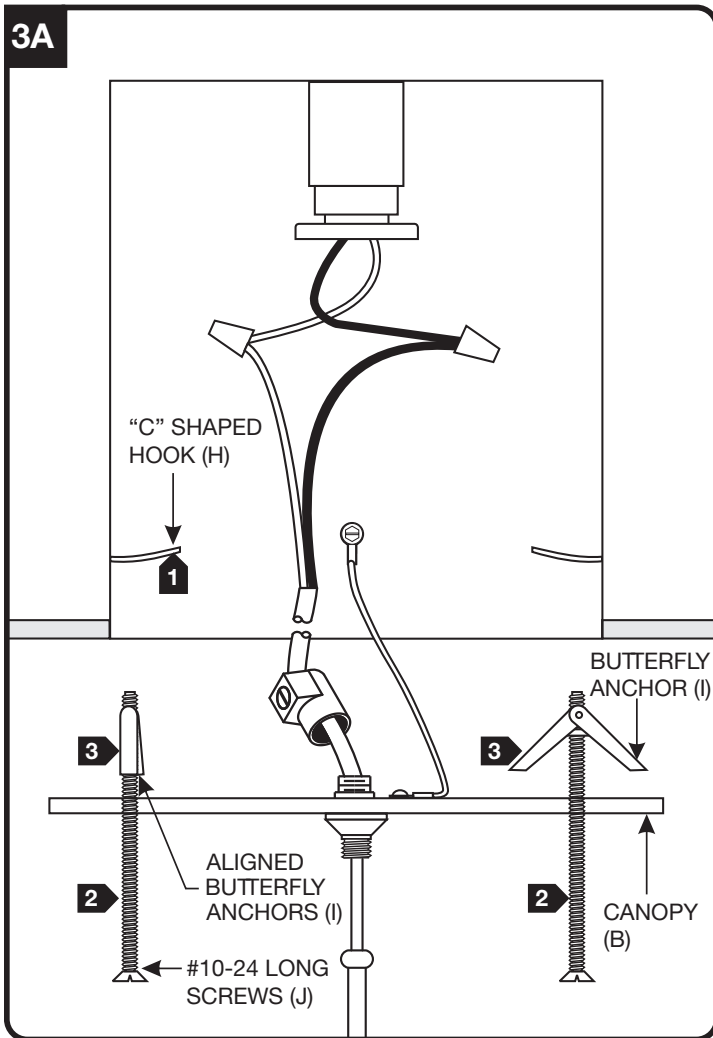


- 1 Turn the power to the recessed down light off.
- 2 Remove the existing trim and the incandescent lamp.
- 3 Drill a 9/64" hole inside the down light can wall (a pre-drilled hole might exist that is applicable for the ground wire (F) connection).
- 4 Connect the canopy ground wire (F) terminal to the drilled hole with the #8 self tapping screw (G).

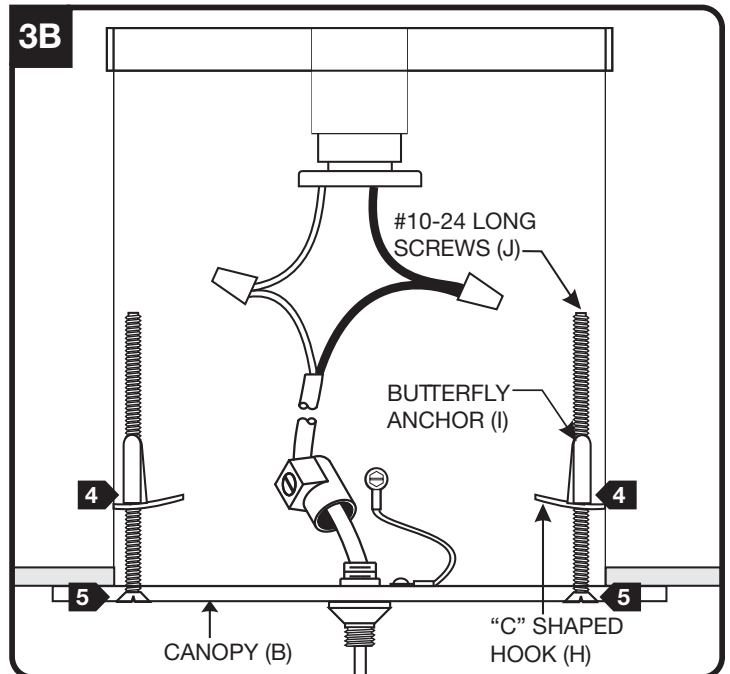


- 5 Screw the 120v adapter (A) tightly into the incandescent socket.
- 6 Reconnect pendant hot wire to 120v adapter hot wire and pendant common wire to 120v adapter common wire using supplied wire nuts.

Installing the Canopy Using the Butterfly Anchors

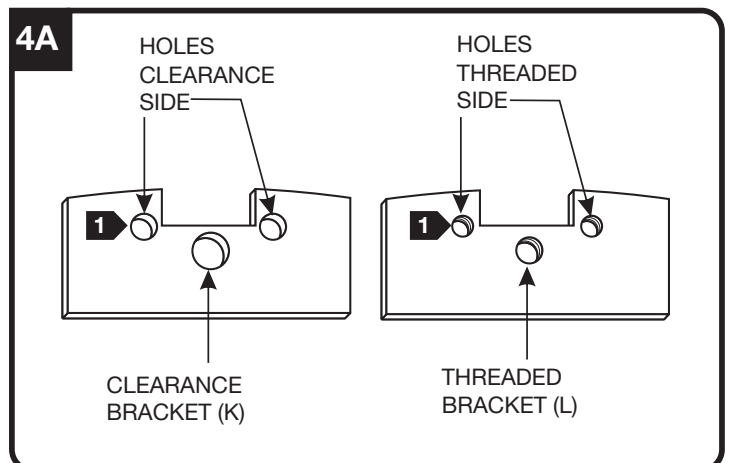


- 1** Bend the “C” shaped hooks (H) slightly up to hold the butterfly anchors (I).
- 2** Push the #10-24 long screws (J) through the canopy (B) holes.
- 3** Screw the butterfly anchors (I) onto the tip of the long screws (J).

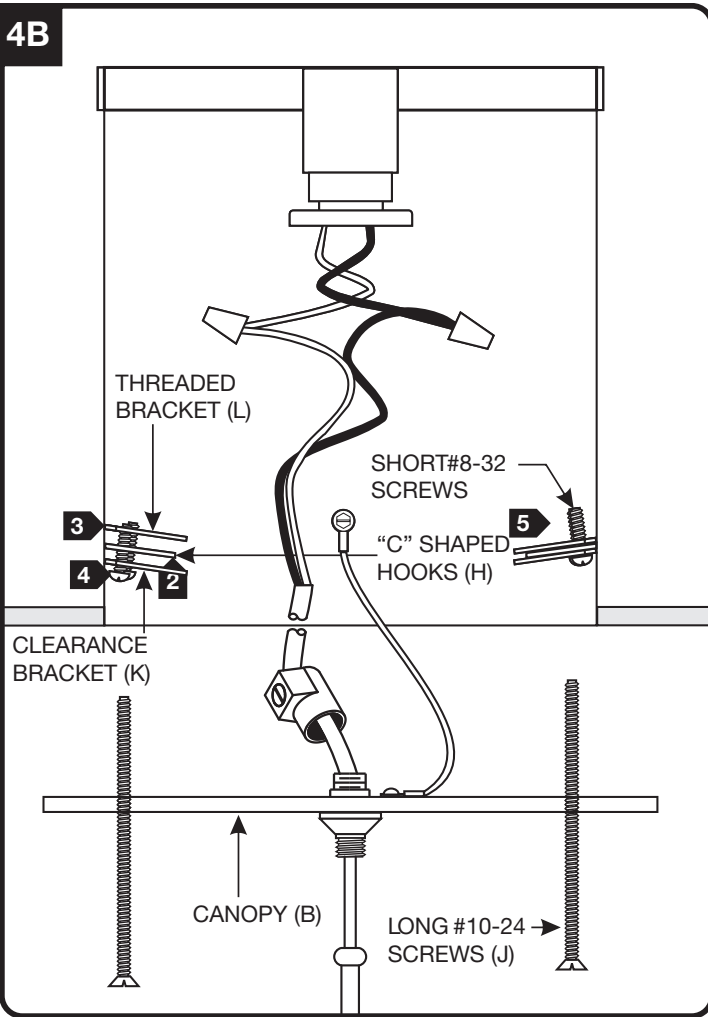


- 4** Align and hang the butterfly anchors (I) onto the “C” shaped hooks (H) on both sides of the down light.
- 5** When the butterfly anchors (I) are properly hung onto the “C” shaped hooks (H), tighten the long screws (J) by keeping a light tension on the canopy (B). This will prevent the butterfly anchors (I) from slipping off of the “C” shaped hooks (H).
- 6** Turn the power on, installation is complete.

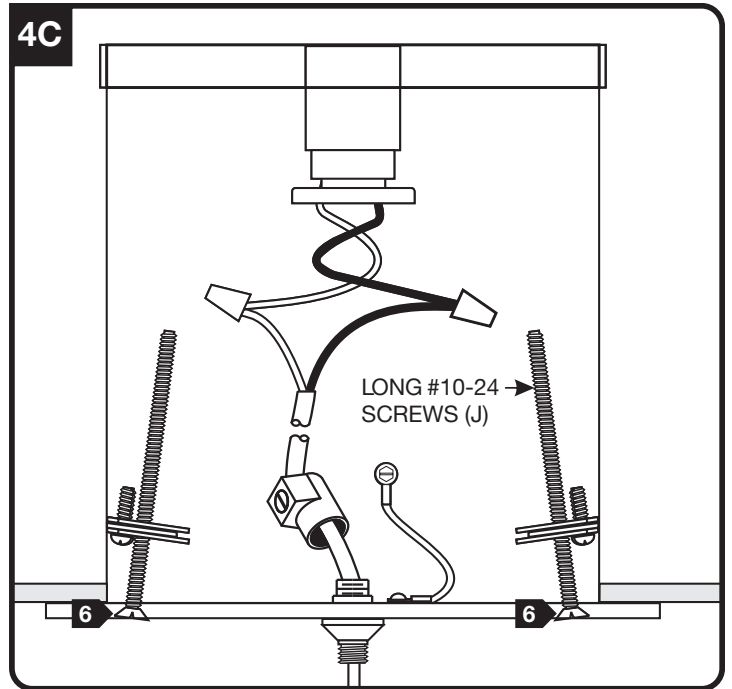
Installing the Canopy Using the Mounting Brackets



- 1** There are four mounting brackets, two with threaded holes and two with clearance holes. Each set uses a threaded (H) and clearance (K) hole bracket.



- 2 Bend the "C" shaped hooks (H) slightly down to avoid cross threading the long #10-24 screws (J) that hold the canopy (B).
- 3 Lay one threaded bracket (L) on top of the "C" shaped hook (H) so that the curved section of the bracket (L) is in contact with the inside can wall.
- 4 Similarly, from the bottom of the "C" shaped hook (H), hold the clearance bracket (K). Line the two bracket holes up and screw them together with the two short #8-32 screws so that these brackets clamp the "C" shaped hooks (H).
- 5 Repeat steps 2 through 4 for the other "C" shaped hooks (H).



- 6 Screw the long #10-24 screws (J) into the center hole of brackets.
- 7 Turn the power on, installation is complete.

SAVE THESE INSTRUCTIONS!