

INSTALLATION AND SAFETY INSTRUCTIONS

IMPORTANT SAFETY INSTRUCTIONS

- Be sure the electricity to the system you are working on is turned off; either the fuse removed or the circuit breaker set at off.
- Use of other manufacturers components will void warranty, listing and create a potential safety hazard.
- If you are unclear as to how to proceed, contact a qualified electrician.
- You don't need special tools to install this fixture.
- Be sure to follow the steps in the order given.
- Read instructions carefully.
- Proper wiring is essential for the safe operation of this fixture.
- Do not install on a post or a pole that results in a vertical rise of 25 feet or higher
- Save these instructions.

BEFORE YOU BEGIN

Carefully remove the fixture from the carton and check that all parts are included, as shown in Figures 1 & 2. Be careful not to misplace any of the screws or parts which are needed to install this fixture.

NOTE: This glass is handcrafted, the slight imperfections in the glass add to the authenticity of the fixture.

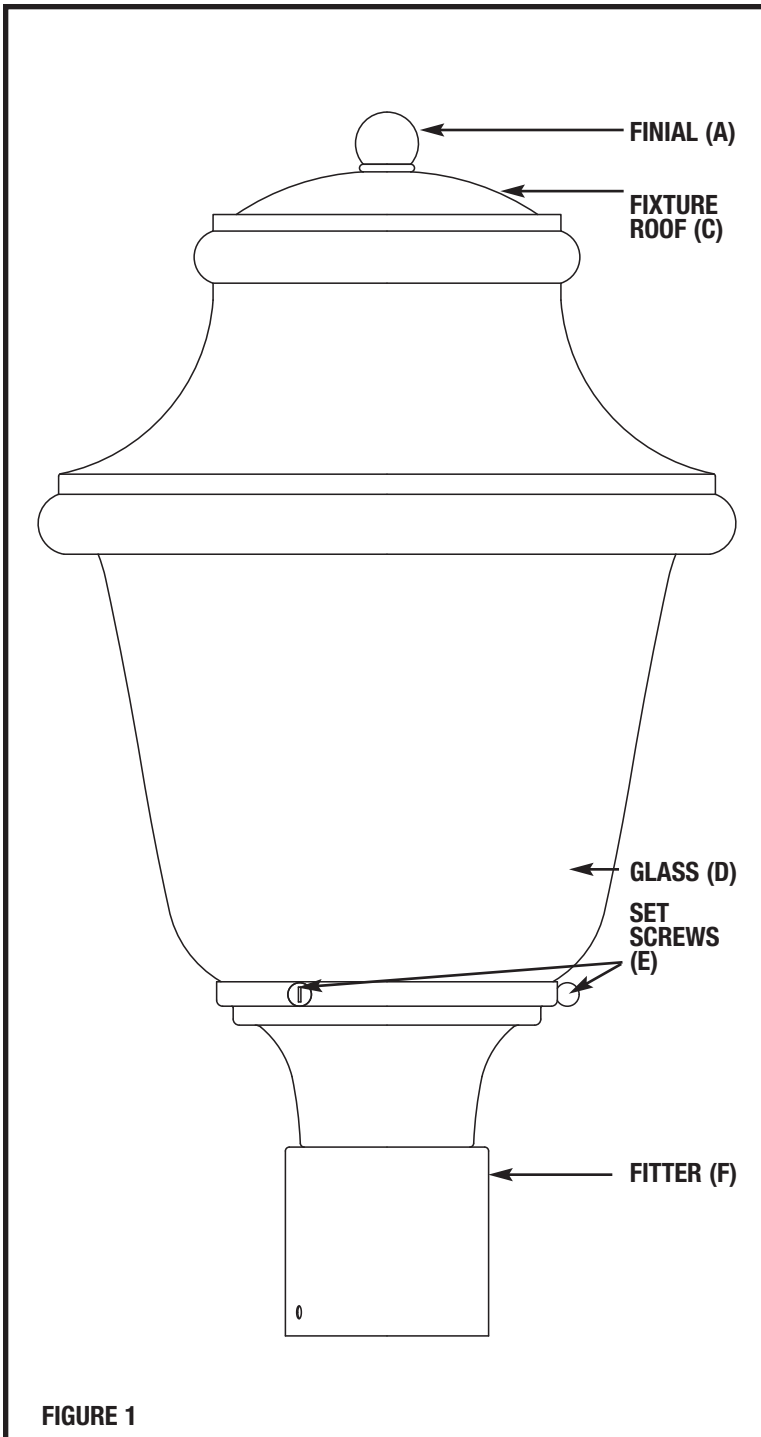


FIGURE 1



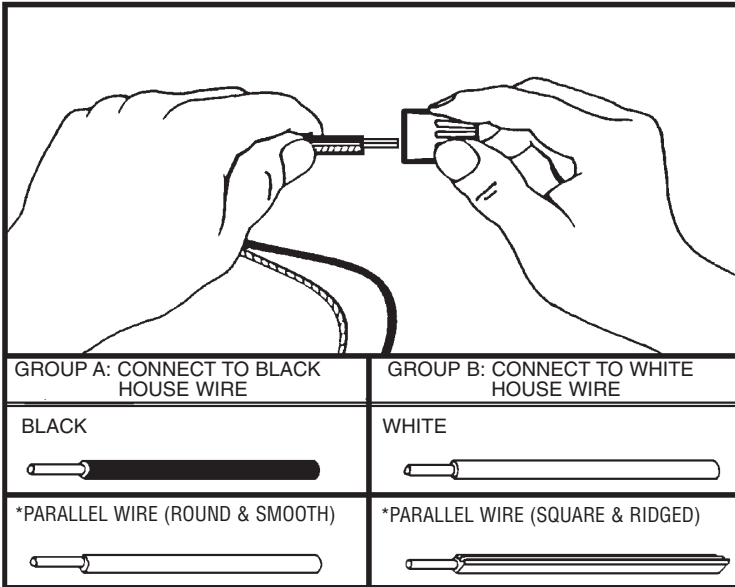
sea gull lighting®

Installation And Safety Instruction HC-1176 071807

Line art shown may not exactly match the fixture enclosed.
However, the installation instructions do apply to this fixture.
Fill In Item Number On Carton And
File This Sheet For Fixture Reference. ITEM# _____

STEP 1:

A. Take note of the color of the wire(s) on your fixture. Identify which group your fixture wire(s) falls into and connect the wires according to the directions below:



*NOTE: When parallel wire is used, the tracer wire is square shaped or ridged, and the less tracer wire is round in shape or smooth. (Seen best when viewed from wire end.) To separate wires, grasp the ends of each wire and pull apart.

- B.** Take your fixture wire(s) from group A and place evenly against the black wire from the outlet box. **Do Not** twist wires together before using wire connectors.
- C.** Fit a wire connector (not supplied) over the wires and thread the connector clockwise until you feel a firm resistance.
- D.** Gently try to remove the wires from the connector. If you can remove the wires, carefully re-do steps B and C, as above, and check again for a firm connection.
- E.** Connect the fixture wire from group B to the white wire from the outlet box in the same manner.

STEP 2:

GROUNDING INSTRUCTIONS:

Connect the ground wire from the fixture (bare metal or green insulated wire) to the ground wire from the power supply (bare metal or green insulated wire) using a small wire connector (not supplied).

NEVER CONNECT GROUND WIRE TO BLACK OR WHITE POWER SUPPLY WIRES.

STEP 3:

Slide fitter (F) onto post. Secure in place with screws (not supplied).

FINAL ASSEMBLY

Make sure no bare wires can be seen outside wire connectors.

STEP 1:

Remove fixture roof (C) by unthreading finial (A).

STEP 2:

Install lamp.

STEP 3:

Replace fixture roof (C) over glass, (D) and secure by threading finial (A).

CLEANING

To clean, wipe fixture with a soft cloth. Clean glass with a mild soap. Do not use abrasive materials such as scouring pads or powders, steel wool or abrasive paper.

ORDERING PARTS

Keep this sheet for future reference, and in case you need to order replacement parts. Parts for this fixture can be ordered from place of purchase. Be sure to use exact wording from illustration when ordering parts.